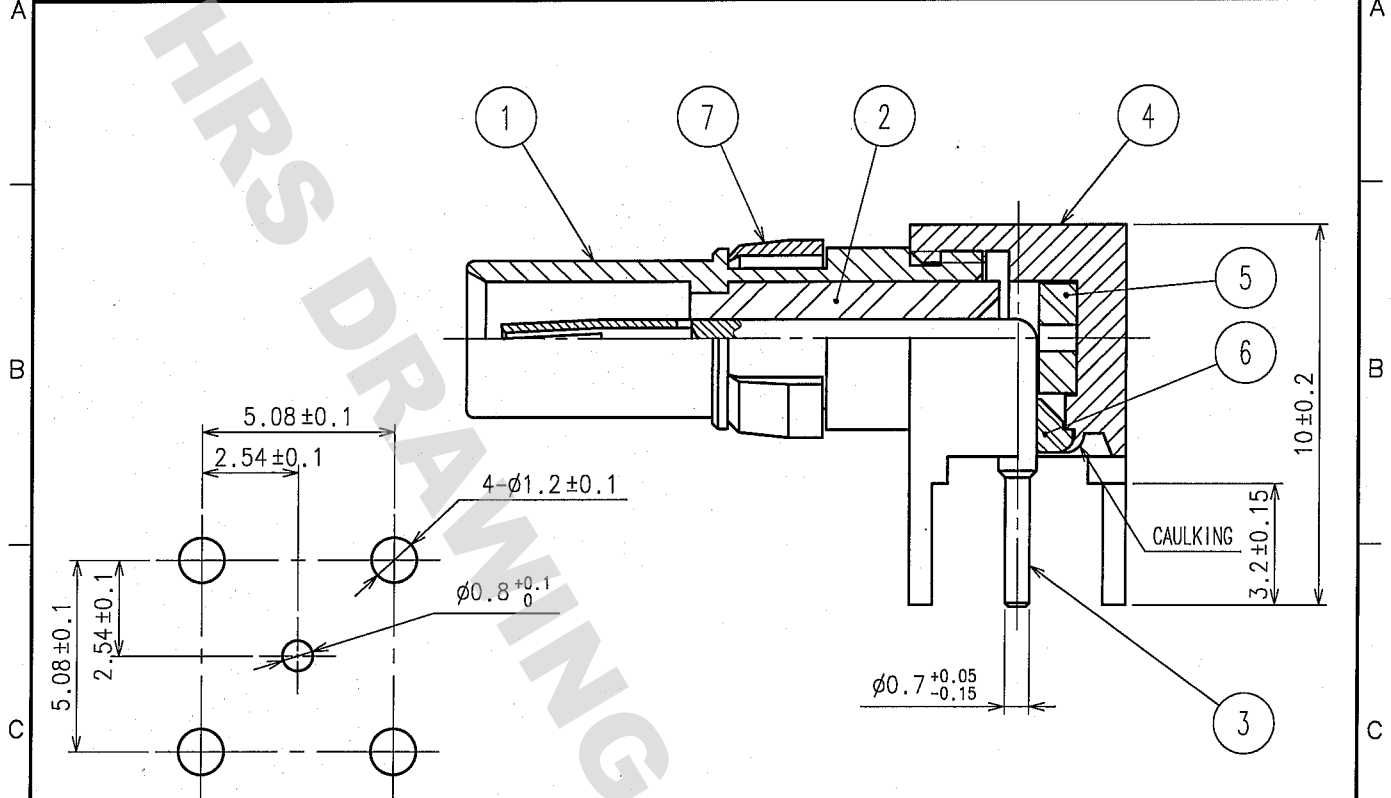
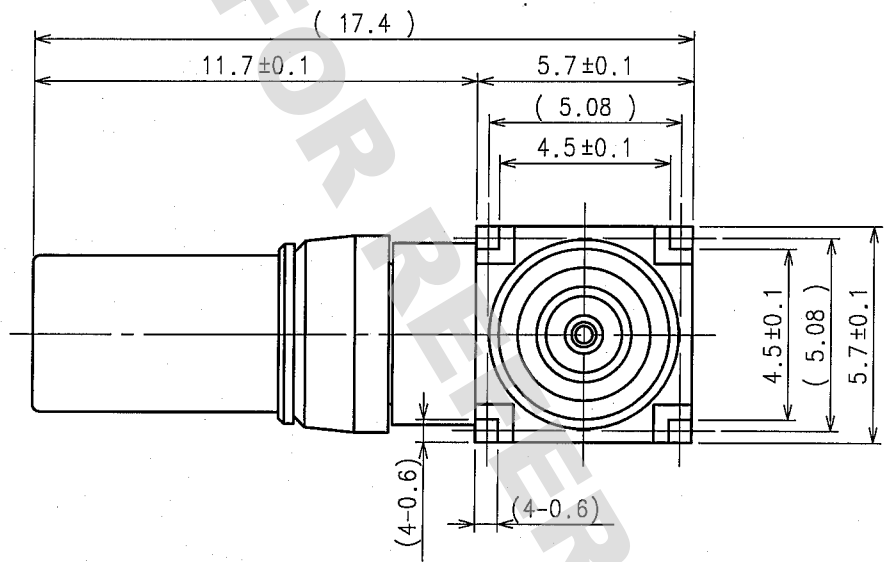


| 1 | | 2 | | | 3 | | | 4 | | |
|-------|--------------------------|----|------|------|-------|--------------------------|----|------|------|--|
| COUNT | DESCRIPTION OF REVISIONS | BY | CHKD | DATE | COUNT | DESCRIPTION OF REVISIONS | BY | CHKD | DATE | |
| △ | | | | | △ | | | | | |
| △ | | | | | △ | | | | | |
| △ | | | | | △ | | | | | |



RECOMMENDED PC BOARD PATTERN



| 4 | BRASS | GOLD PLATED | | | |
|-----|------------------|-----------------|-----|------------------|-----------------|
| 3 | BERYLLIUM COPPER | GOLD PLATED | 7 | BERYLLIUM COPPER | NICKEL PLATED |
| 2 | PTFE | | 6 | PTFE | |
| 1 | BRASS | GOLD PLATED | 5 | PTFE | |
| NO. | MATERIAL | FINISH, REMARKS | NO. | MATERIAL | FINISH, REMARKS |

| CODE NO. (OLD) | DRAWN | DESIGNED | CHECKED | APPROVED | RELEASED |
|----------------|--------------------|--------------------|-------------------|------------------|----------|
| CL | <i>y. Sugiyama</i> | <i>T. Katayama</i> | <i>K. Shimizu</i> | <i>J. Mitani</i> | |
| | '05.11.01 | '05.11.04 | '05.11.09 | '05.11.09 | |

| DRAWING NO. | PART NO. |
|-----------------|------------------|
| EDC4-022928-40 | PO51-LR-PC-1(40) |
| CODE NO. | |
| CL330-0017-0-40 | |

DRAWING FOR REFERENCE: This is subject to change without notice 08/11/2012

| |
|----|
| TO |
| RF |
| |
| |



X-ON Electronics

Largest Supplier of Electrical and Electronic Components

Click to view similar products for [RF Connectors / Coaxial Connectors](#) category:

Click to view products by [Hirose](#) manufacturer:

Other Similar products are found below :

[8915-1511-000](#) [89674-0827](#) [6001-7071-019](#) [6002-7051-003](#) [6002-7551-202](#) [6059674-1](#) [619550-1](#) [630059-000](#) [M39030/3-01N](#) [M3933/25-36N](#) [6500-7071-046](#) [6769](#) [CX050L2AQ](#) [7002-1542-011](#) [7004-1512-000](#) [7009-1511-004](#) [7010-1511-000](#) [7029-1511-060](#) [7101-1541-010](#) [7101-1571-002](#) [7105-1521-002](#) [7145-1521-002](#) [7203-1571-003](#) [7209-1511-011](#) [7210-1511-015](#) [7210-1511-019](#) [73137-5015](#) [73216-2241](#) [7325-1512-000](#) [73404-2300](#) [7405-1521-005](#) [7405-1521-802](#) [7406-1521-005](#) [8527](#) [8547](#) [FS11V](#) [8808-1511-001](#) [9049-9513-000](#) [9074-9513-000](#) [9101-9573-002](#) [910A205F](#) [9130-9573-002](#) [PL11SC-026](#) [PL375-33](#) [PL40-5](#) [PL71-9](#) [PL74C-221](#) [PL75MC-217](#) [PL803-7](#) [980-8666-005](#)