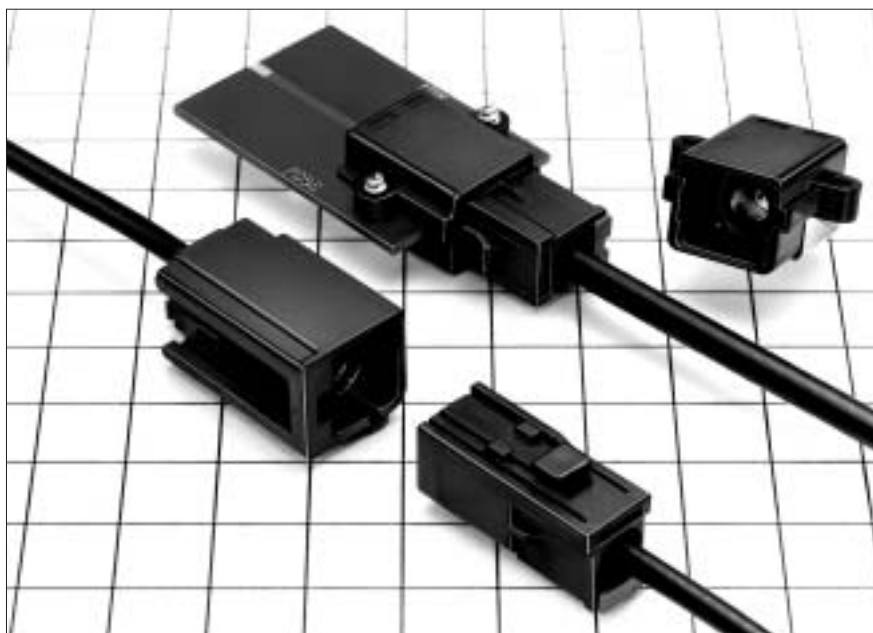


# PO5G Series

## — 5.8 GHz Mobile Coaxial Connectors —



### ■ Features

- Lock-release latching system
- Excellent High Frequency Performance
  - DC to 3 GHz: VSWR of 1.3 max.
  - 3 to 6 GHz: VSWR of 1.5 max.
- Suits 50 ohms polyethylene foam insulated coaxial cable.
- The board-side connector is of the board cut-out type.

### ■ Applications

ETC, GPS, and VICS.

## PO5G Series

### Specifications

Rating	Characteristic impedance: 50 ohms Rating frequency: DC to 6 GHz	Operating temperature range: -40°C to +105°C Operating humidity: 90% max.
--------	--	--

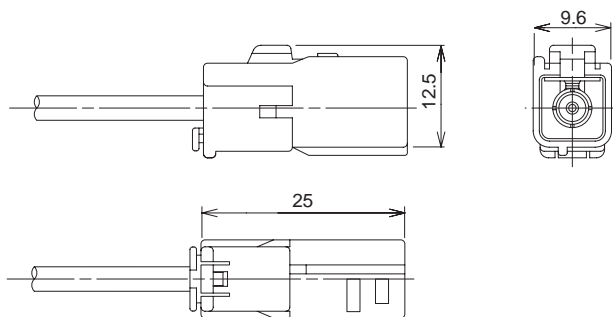
Rating	Specification	Conditions
Contact resistance	Center: 30 m ohms Outside: 30 m ohms	100 mA max.
Insulation resistance	100 M ohms min.	500 V DC
Withstanding voltage	No flashover or insulation breakdown	650 V AC / one minute
V.S.W.R.	1.3 max. 1.5 max.	DC to 3 GHz 3 to 6 GHz

Note: 1.6max. (3 to 6GHz) for jacks

### Materials

Part	Material	Finish
Shell	Phosphor bronze	Tin plating
Insulator	PBT	94V-0 (White)
Housing	PBT	94HB (Black)
Retainer	PBT	94V-0 (Gray)
Contacts	Phosphor bronze	Gold plating
Ground plate	Phosphor bronze	Tin plating

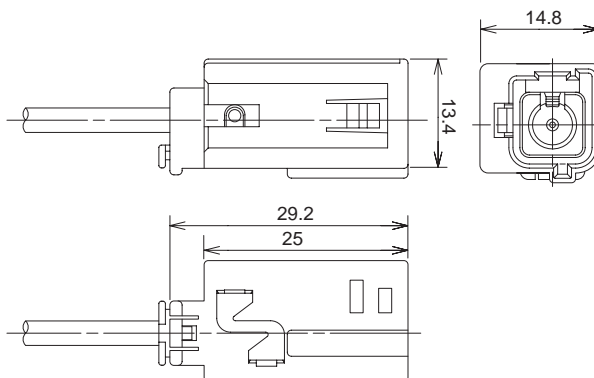
● Plugs



\* Completed with 3 products

Item	Part Number	CL No.	Remarks
Straight plug for 1.5D cable	P05G-P-1.5DHQS	312-0192-8	Applicable cable 1.5DS-GXC-SP: Manufactured by Sumitomo Electric Industries, Ltd.
	P05G-CONTACT/F1.5	312-0195-6	Female Inner contacts 10,000 pcs. per reel
	GT5-1P/S-R	755-0006-2	
Straight plug for 2.5D cable	P05G-P-2.5GXC	312-0198-4	Applicable cable 2.5DS-GXC(3.8): Manufactured by Sumitomo Electric Industries, Ltd.
	P05G-CONTACT/F2.5	312-0203-2	Female center contacts 10,000 pcs. per reel
	GT5-1P/S-R	755-0006-2	

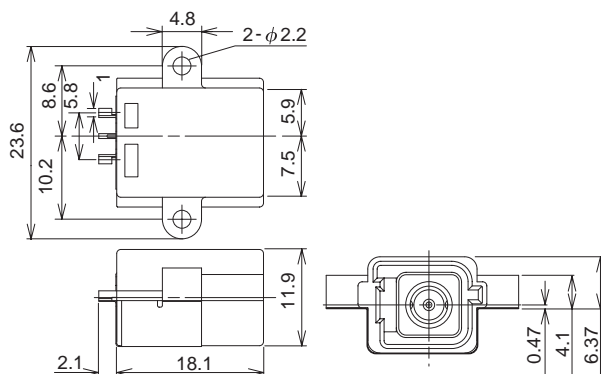
● Jacks (for in-line use)



\* Completed with 3 products

Item	Part Number	CL No.	Remarks
Straight plug for 1.5D cable	P05G-J-1.5DHQS	312-0200-4	Applicable cable 1.5DS-GXC-SP: Manufactured by Sumitomo Electric Industries, Ltd.
	P05G-CONTACT/M1.5	312-0201-7	male center contacts 10,000 pcs. per reel
	GT5-1P/S-R	755-0006-2	

● Receptacles



Part Number	CL No.
P05G-LR-PC	312-0191-5

Coaxial cable connection of Antennas, Sensors, and Communication Trunk Lines

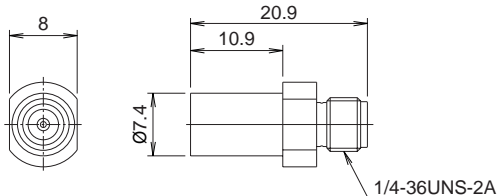
- GT 1
- GT 5
- GT 13
- GT 16
- P05G**
- GT 11
- GT 14
- GT 17
- GT 19N
- GT 2
- GT 3
- GT 6W
- GT 7
- GT 10
- GT 12
- GT 18W
- GT 15
- GT 8
- GT 9

PO5G Series

Coaxial cable connection of Antennas, Sensors, and Communication Trunk Lines  
 GT 1  
 GT 5  
 GT 13  
 GT 16  
 PO5G  
 GT 11  
 GT 14  
 GT 17  
 GT 19N  
 GT 2  
 GT 3  
 GT 6W  
 GT 7  
 GT 10  
 GT 12  
 GT 18W  
 GT 15  
 GT 8  
 GT 9

## Conversion Adapter

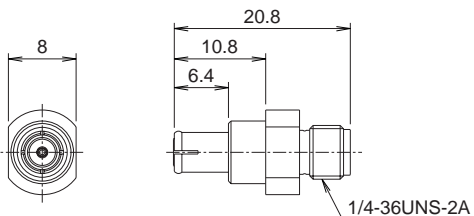
### ● SMA Conversion Adapter (coupling portion: PO5G side jack - SMA side jack)



Note: The adapter does not have a lock portion and thus can only be used for performance measurements.

Part Number	HRS No.
PO5GJ-HRMJ	CL311-0329-4

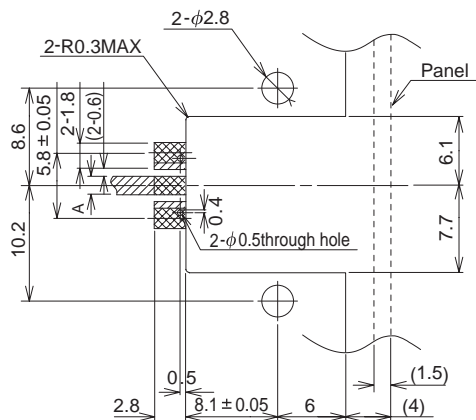
### ● SMA Conversion Adapter (coupling portion: PO5G side plug - SMA side jack)



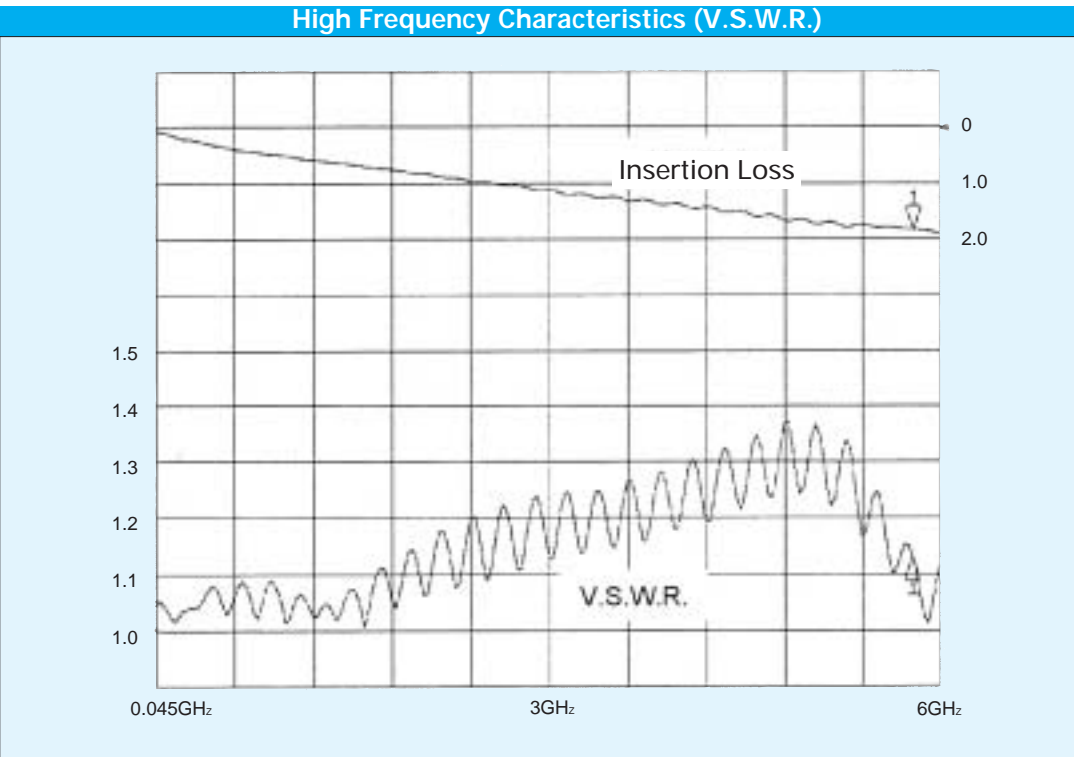
Note: The adapter does not have a lock portion and thus can only be used for performance measurements.

Part Number	HRS No.
PO5GP-HRMJ	CL311-0330-3

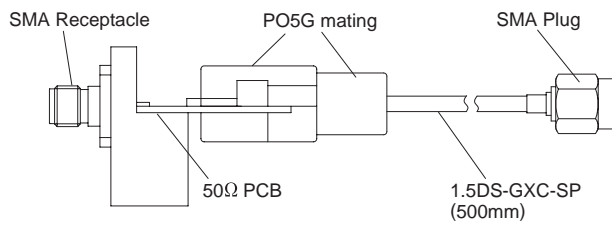
### ◆ Recommended PCB Mounting Pattern



\* Set dimension A to give 50Ω characteristics.  
 Reference example: Glass epoxy t = 1.0 (ε = 4.8) A = 1.65



### Measurement System



## X-ON Electronics

Largest Supplier of Electrical and Electronic Components

*Click to view similar products for [RF Connectors / Coaxial Connectors](#) category:*

*Click to view products by [Hirose](#) manufacturer:*

Other Similar products are found below :

[8915-1511-000](#) [89674-0827](#) [6001-7071-019](#) [6002-7051-003](#) [6002-7551-202](#) [6059674-1](#) [619550-1](#) [630059-000](#) [M39030/3-01N](#) [M3933/25-36N](#) [6500-7071-046](#) [6769](#) [CX050L2AQ](#) [7002-1542-011](#) [7004-1512-000](#) [7009-1511-004](#) [7010-1511-000](#) [7029-1511-060](#) [7101-1541-010](#) [7101-1571-002](#) [7105-1521-002](#) [7145-1521-002](#) [7203-1571-003](#) [7209-1511-011](#) [7210-1511-015](#) [7210-1511-019](#) [73137-5015](#) [73216-2241](#) [7325-1512-000](#) [73404-2300](#) [7405-1521-005](#) [7405-1521-802](#) [7406-1521-005](#) [8527](#) [8547](#) [FS11V](#) [8808-1511-001](#) [9049-9513-000](#) [9074-9513-000](#) [9101-9573-002](#) [910A205F](#) [9130-9573-002](#) [PL11SC-026](#) [PL375-33](#) [PL40-5](#) [PL71-9](#) [PL74C-221](#) [PL75MC-217](#) [PL803-7](#) [980-8666-005](#)