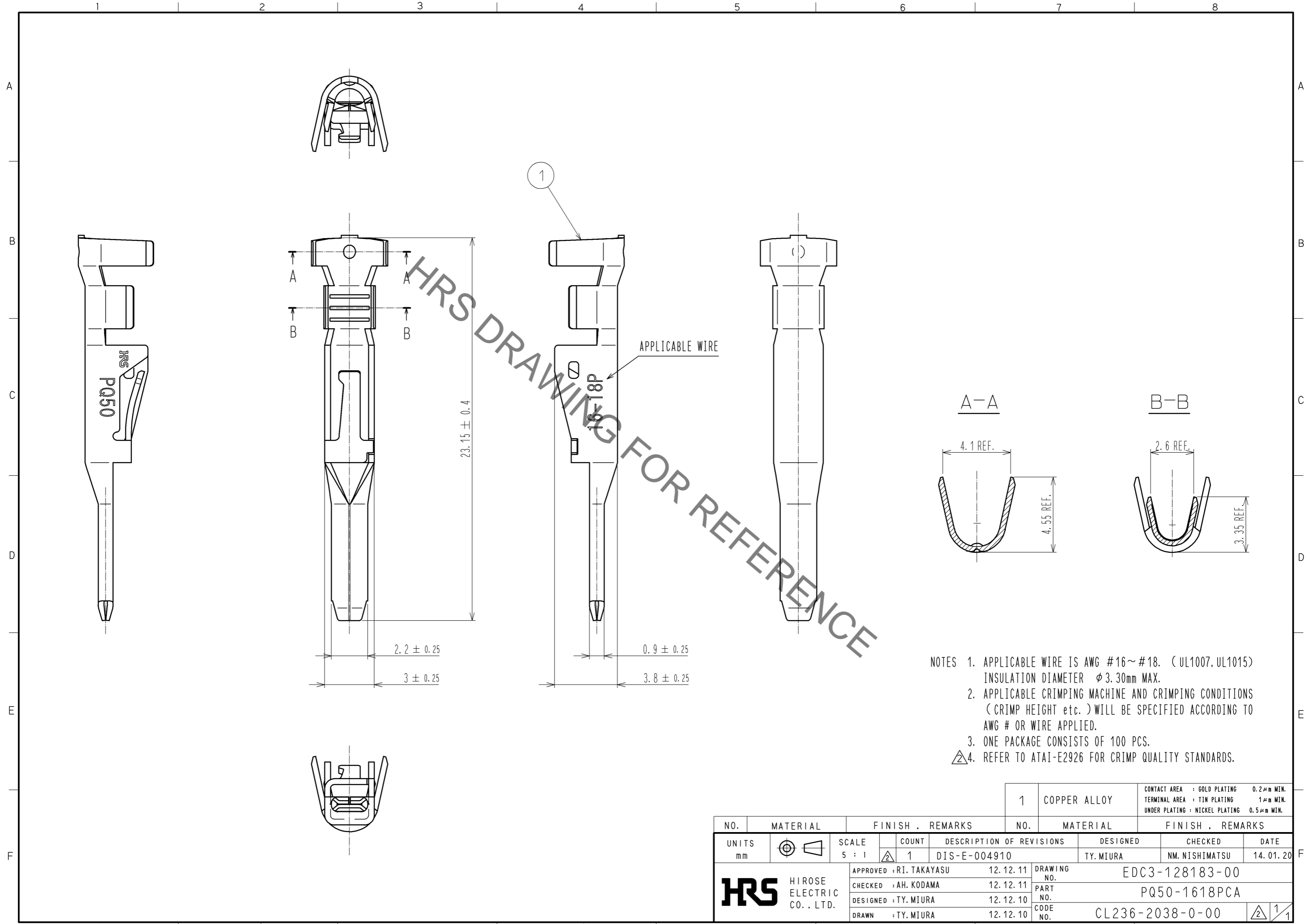


Aug.1.2021 Copyright 2021 HIROSE ELECTRIC CO., LTD. All Rights Reserved.
 In case of consideration for using Automotive equipment / device which demand high reliability, kindly contact our sales window correspondents.



- NOTES
1. APPLICABLE WIRE IS AWG #16~#18. (UL1007, UL1015)
INSULATION DIAMETER ϕ 3.30mm MAX.
 2. APPLICABLE CRIMPING MACHINE AND CRIMPING CONDITIONS (CRIMP HEIGHT etc.) WILL BE SPECIFIED ACCORDING TO AWG # OR WIRE APPLIED.
 3. ONE PACKAGE CONSISTS OF 100 PCS.
 4. REFER TO ATAI-E2926 FOR CRIMP QUALITY STANDARDS.

NO. 1		MATERIAL COPPER ALLOY		CONTACT AREA : GOLD PLATING 0.2 μ m MIN.		TERMINAL AREA : TIN PLATING 1 μ m MIN.		UNDER PLATING : NICKEL PLATING 0.5 μ m MIN.	
NO.		MATERIAL		FINISH . REMARKS		NO.		MATERIAL	
UNITS mm		SCALE 5 : 1		COUNT 1		DESCRIPTION OF REVISIONS DIS-E-004910		DESIGNED TY. MIURA	
APPROVED : RI. TAKAYASU		12.12.11		DRAWING NO. EDC3-128183-00		CHECKED : AH. KODAMA		12.12.11	
DESIGNED : TY. MIURA		12.12.10		PART NO. PQ50-1618PCA		DRAWN : TY. MIURA		12.12.10	
HRS HIROSE ELECTRIC CO., LTD.		APPROVED : RI. TAKAYASU		12.12.11		DRAWING NO. EDC3-128183-00		CHECKED : AH. KODAMA	
DESIGNED : TY. MIURA		12.12.10		PART NO. PQ50-1618PCA		DRAWN : TY. MIURA		12.12.10	
DATE 14.01.20		CHECKED NM. NISHIMATSU		CODE NO. CL236-2038-0-00		DATE 14.01.20		CHECKED NM. NISHIMATSU	

X-ON Electronics

Largest Supplier of Electrical and Electronic Components

Click to view similar products for [Heavy Duty Power Connectors](#) category:

Click to view products by [Hirose](#) manufacturer:

Other Similar products are found below :

[647757-1](#) [6643411-1](#) [6646058-2](#) [6646137-1](#) [6646138-1](#) [6646479-1](#) [6646608-1](#) [6646786-1](#) [6646940-1](#) [6651091-1](#) [6651525-1](#) [6651529-1](#)
[6651788-1](#) [696475-1](#) [73000005059](#) [73000005642](#) [765-15-0080A](#) [765-16-0080B](#) [829992-1](#) [902-77-02113](#) [129-1J](#) [AN0024023](#) [E6374G1](#)
[e6389g2](#) [157-43GW8](#) [MS3117-14AC](#) [1643543-1](#) [1650540-1](#) [1651811-2](#) [1766260-1](#) [1766282-1](#) [1766966-1](#) [1791340000](#) [NLDFT-3-BL-L-](#)
[S120-M40A](#) [NLDFT-N-W-L-C240-M40B](#) [NLS-2-R-C240-M40B](#) [NLS-N-W-C240-M40B](#) [NPS-3-BL-T6](#) [1986615-1](#) [2-1589900-8](#) [2199314-1](#)
[KA8102](#) [9300480317](#) [SBS50BRN#6](#) [29131](#) [29652](#) [1646905-1](#) [1648320-1](#) [1648582-1](#) [1650195-2](#)