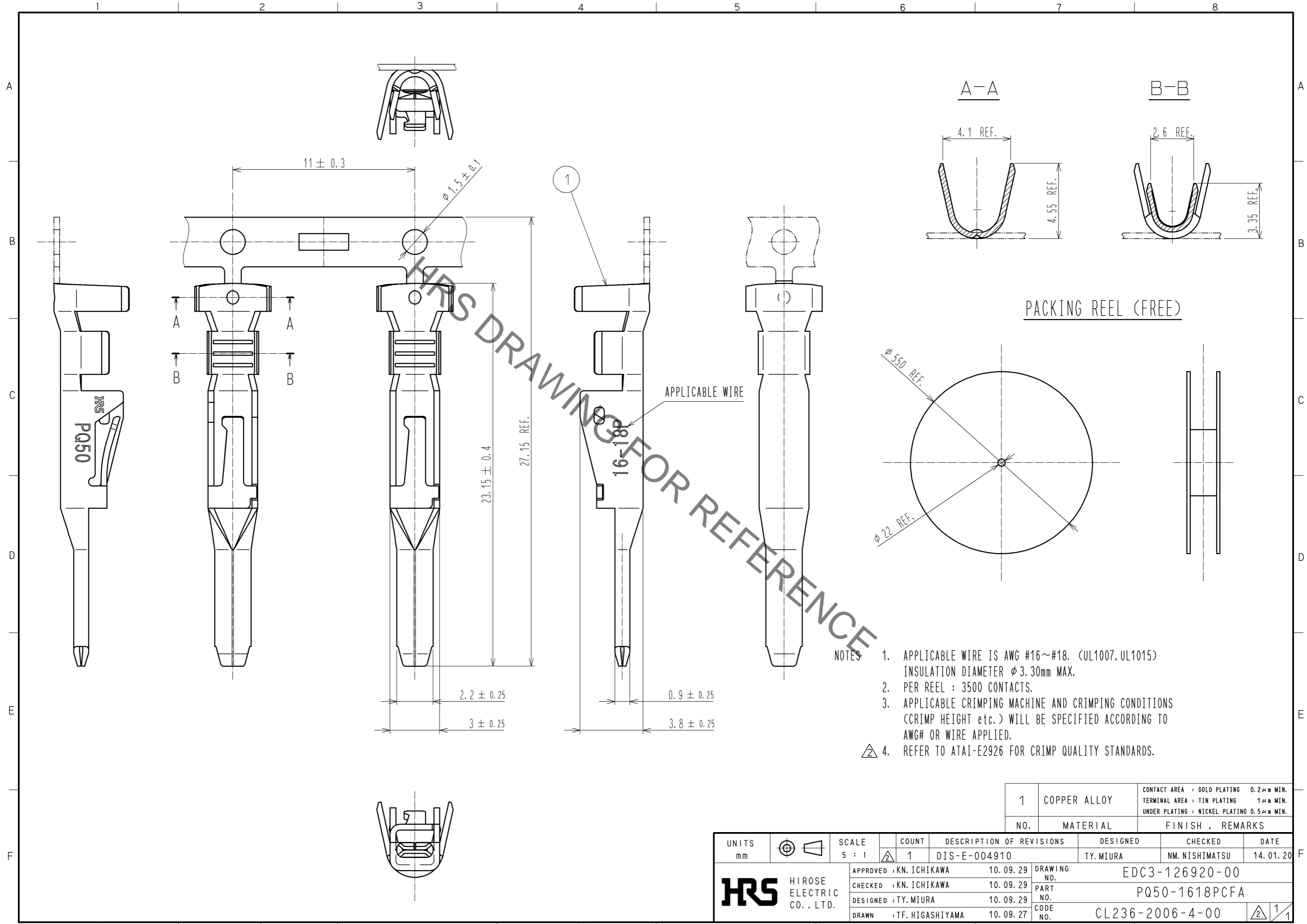


Jan.1.2022 Copyright 2022 HIROSE ELECTRIC CO., LTD. All Rights Reserved.  
 In case of consideration for using Automotive equipment / device which demand high reliability, kindly contact our sales window correspondents.



- NOTES
1. APPLICABLE WIRE IS AWG #16~#18. (UL1007, UL1015)  
INSULATION DIAMETER φ 3.30mm MAX.
  2. PER REEL : 3500 CONTACTS.
  3. APPLICABLE CRIMPING MACHINE AND CRIMPING CONDITIONS (CRIMP HEIGHT etc.) WILL BE SPECIFIED ACCORDING TO AWG# OR WIRE APPLIED.
  4. REFER TO ATAI-E2926 FOR CRIMP QUALITY STANDARDS.

1	COPPER ALLOY	CONTACT AREA : GOLD PLATING 0.2μm MIN. TERMINAL AREA : TIN PLATING 1μm MIN. UNDER PLATING : NICKEL PLATING 0.5μm MIN.
NO.	MATERIAL	FINISH , REMARKS

UNITS mm			SCALE 5 : 1	COUNT 1	DESCRIPTION OF REVISIONS DIS-E-004910	DESIGNED TY. MIURA	CHECKED NM. NISHIMATSU	DATE 14. 01. 20
<b>HRS</b> HIROSE ELECTRIC CO., LTD.		APPROVED : KN. ICHIKAWA 10. 09. 29	DRAWING NO. EDC3-126920-00					
		CHECKED : KN. ICHIKAWA 10. 09. 29	PART NO. PQ50-1618PCFA					
		DESIGNED : TY. MIURA 10. 09. 29	CODE NO. CL236-2006-4-00					
		DRAWN : TF. HIGASHIYAMA 10. 09. 27						

## X-ON Electronics

Largest Supplier of Electrical and Electronic Components

*Click to view similar products for [Heavy Duty Power Connectors](#) category:*

*Click to view products by [Hirose](#) manufacturer:*

Other Similar products are found below :

[6646058-2](#) [6646137-1](#) [6646138-1](#) [6646940-1](#) [6651091-1](#) [6651525-1](#) [6651529-1](#) [696475-1](#) [702-32-01109](#) [73080255059](#) [73080965046](#)  
[7310205040001](#) [765-16-0080B](#) [765-18-0080D](#) [902-77-02113](#) [PS00/A0620/6300](#) [AN0024023](#) [154-42B7WM250](#) [MS3117-14AC](#) [1643543-1](#)  
[1766966-1](#) [1791340000](#) [NLDFT-3-BL-L-S120-M40A](#) [NLDFT-N-W-L-C240-M40B](#) [1926015-1](#) [NLS-3-BL-C240-M40B](#) [NLS-N-W-C240-](#)  
[M40B](#) [NPS-3-BL-T6](#) [2-1589900-8](#) [9300480317](#) [294-0091-01100](#) [296-0040-01100](#) [1-6609148-0](#) [A32595-0049](#) [1766249-1](#) [19000005132](#)  
[1926016-1](#) [1-966831-8](#) [AN0024202](#) [AN0264023](#) [279-0841-10100A](#) [281-0334-00100A](#) [RMSB4](#) [419-2083-301](#) [LCDX4/0-14B-X](#) [075-8519-](#)  
[001](#) [078238-1613](#) [07.470.3256.0](#) [09000005288](#) [09140240311](#)