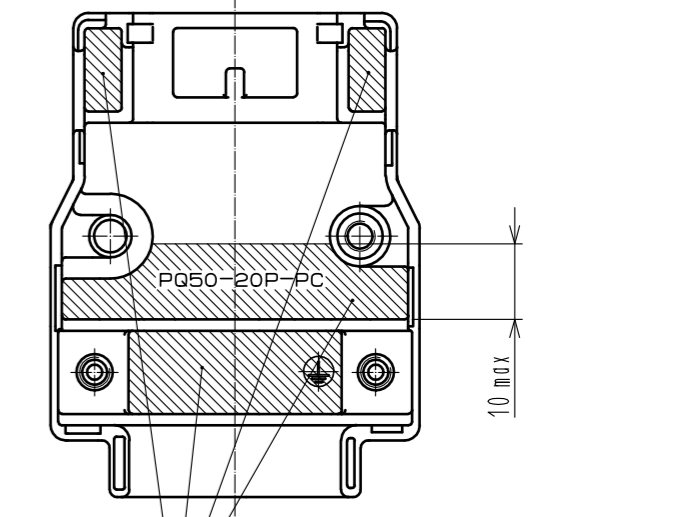
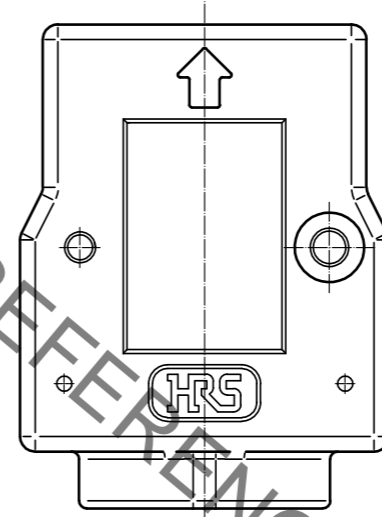
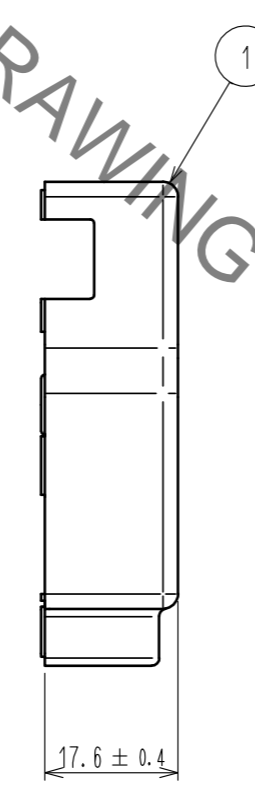
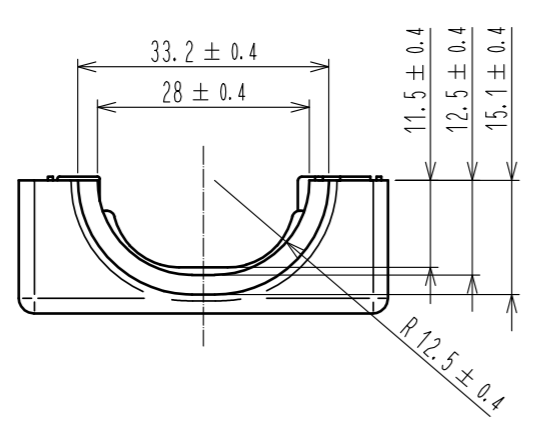
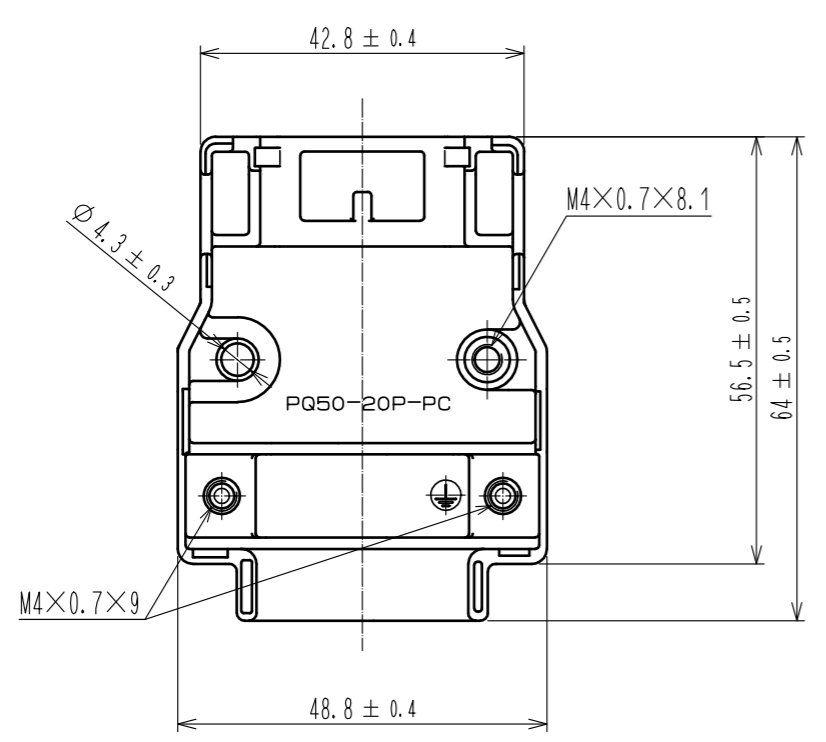
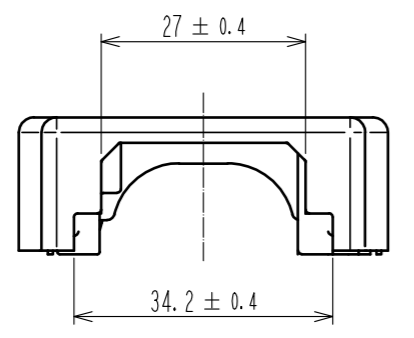
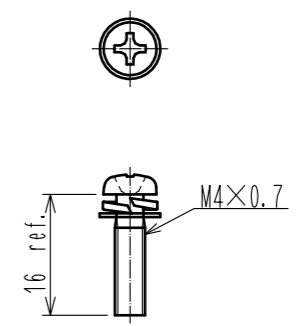


Aug.1.2020 Copyright 2020 HIROSE ELECTRIC CO., LTD. All Rights Reserved.
In case of consideration for using Automotive equipment / device which demand high reliability, kindly contact our sales window correspondents.



② Attachment

JIS B 1188 : Cross recessed need screws with captive washer
M4×0.7×16



③ Electrode touched area for rack plating

Hatched bottom areas and the side wall up to 10 max. high from the bottom surface.

- Note 1. Refer to ETAD-E 2925 for the applicable components assembled with this product.
 2. Swelling max 1.2mm dia. and 0.15mm height could appear on the surface due to die-casting, but it doesn't affect the performance.
 ③ The color of hatched area could be different due to the rack plating process, touching the electrodes to the specified area, but it doesn't affect the performance.

1	ZDC2	Surface plating : Nickel 2µm min Under plating : Copper 7µm min	2	Steel	Surface plating : Nickel 2µm min Under plating : Copper 3µm min			
NO.	MATERIAL	FINISH . REMARKS	NO.	MATERIAL	FINISH . REMARKS			
UNITS mm			SCALE 1 : 1	COUNT 	DESCRIPTION OF REVISIONS	DESIGNED	CHECKED	DATE
HRS HIROSE ELECTRIC CO., LTD.		APPROVED : NM. NISHIMATSU 17.01.25	DRAWING NO. EDC-126914-01-00					
		CHECKED : NM. NISHIMATSU 17.01.25	PART NO. PQ50-20P-PCC(01)					
		DESIGNED : MO. SHIMOYAMA 17.01.25	CODE NO. CL236-2000-8-01					
		DRAWN : JY. IGA 17.01.25						

X-ON Electronics

Largest Supplier of Electrical and Electronic Components

Click to view similar products for [Hirose](#) manufacturer:

Other Similar products are found below :

[HR212-10P-8P\(71\)](#) [RM15TPN-10PC\(71\)](#) [SC-1634](#) [MDF7-40DP-2.54DSA\(55\)](#) [FX2-100S-1.27SVL\(71\)](#) [GT5H-1PP-HU\(10\)](#) [HLS-JJ-1\(40\)](#)
[DF13EA-30DP-1.25V\(55\)](#) [RM15WTRZ-12S\(71\)](#) [RM21TP-20P\(71\)](#) [MRF18-8P-178BU](#) [MS-156R-NJ-1](#) [DX30AM-100P](#) [HR10A-10R-10SB\(72\)](#) [HR10G-10R-12S\(71\)](#) [HR212-10P-8P\(72\)](#) [HR25-7TP-8P\(73\)](#) [HR25-9TR-12P\(71\)](#) [HR25A-7J-4P](#) [HR30-7P-C\(71\)](#) [HRM-513S](#)
[HRMP-X.FLJ](#) [PCN10-44P-2.54DSA\(72\)](#) [AP105-DF11-2428S\(63\)](#) [FX2C2-68S-1.27DSAL\(71\)](#) [PO51-LR-PC-1\(40\)](#) [HIF6-68D-1.27R\(20\)](#)
[HOS-7](#) [HR10A-10WTR-12P\(74\)](#) [HR10A-13P-20SC\(73\)](#) [HR10A-13TPD-20P\(73\)](#) [HR22-12WTRA-20PC\(73\)](#) [HR25A-7R-8P](#) [U.FL-LP\(V\)-04N1-A-\(500\)](#) [LF13WBP-20S](#) [DF3EA-2P-2V\(50\)](#) [DH-37-CMB\(8.8\)](#) [U.FL-2LP-068N1-A-\(50\)](#) [U.FL-2LP-062N1D-A-\(100\)](#) [A4B-13PA-2DS\(71\)](#) [QR/P-12S-C\(51\)](#) [JR25WCC-16\(71\)](#) [JR16WCC-10\(71\)](#) [CM-105\(92\)](#) [LF13BJ-T01](#) [HT802/HR41A-11-18](#) [HT802/DF64-1822P](#)
[HT802/DF63W-1618S-2](#) [HT801/DF62-30\(10\)](#) [HT305/DF61-2226S](#)