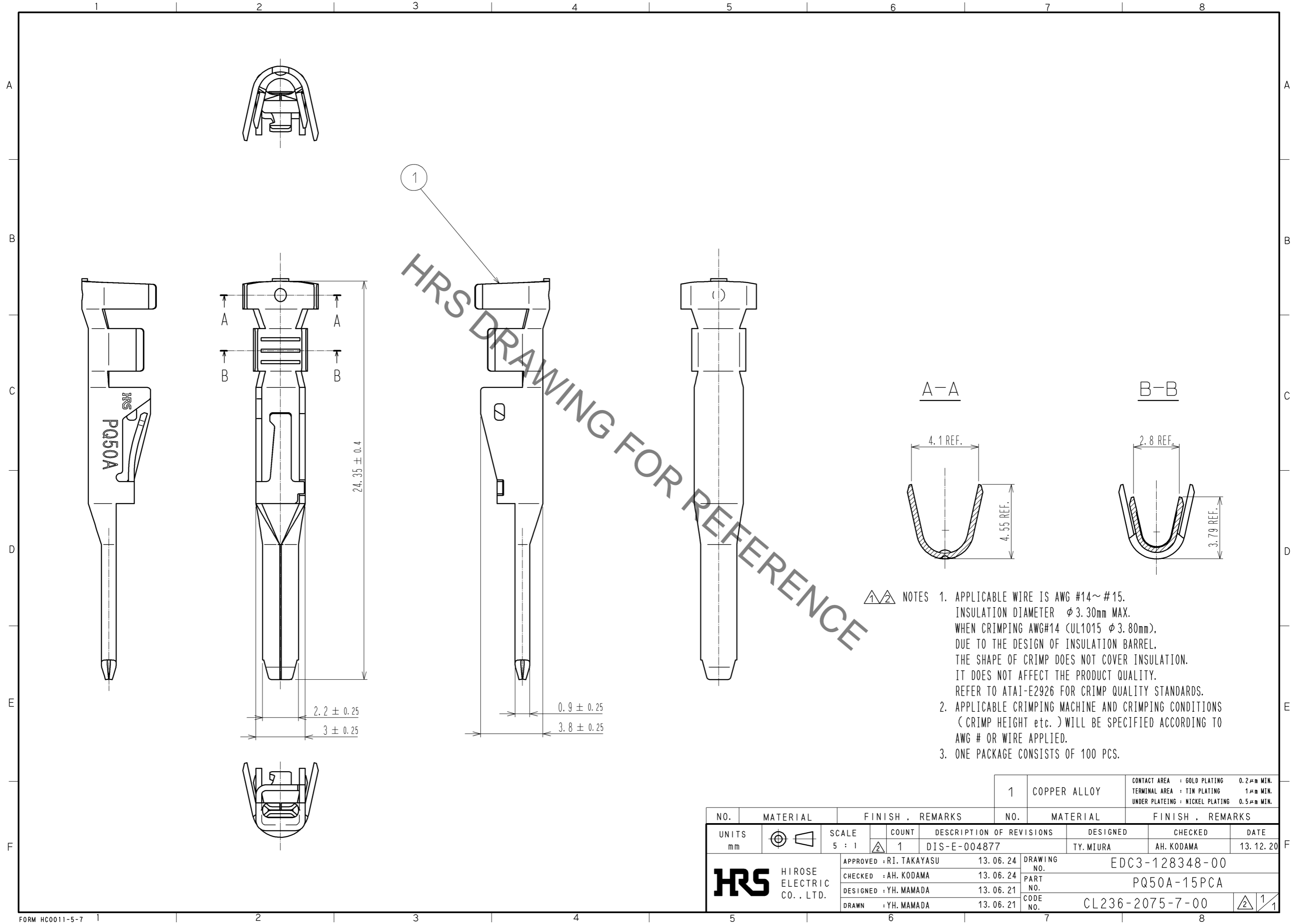


Jan.1.2022 Copyright 2022 HIROSE ELECTRIC CO., LTD. All Rights Reserved.
 In case of consideration for using Automotive equipment / device which demand high reliability, kindly contact our sales window correspondents.



HRS DRAWING FOR REFERENCE

- NOTES
1. APPLICABLE WIRE IS AWG #14~#15.
 INSULATION DIAMETER $\phi 3.30$ mm MAX.
 WHEN CRIMPING AWG#14 (UL1015 $\phi 3.80$ mm),
 DUE TO THE DESIGN OF INSULATION BARREL,
 THE SHAPE OF CRIMP DOES NOT COVER INSULATION.
 IT DOES NOT AFFECT THE PRODUCT QUALITY.
 REFER TO ATAI-E2926 FOR CRIMP QUALITY STANDARDS.
 2. APPLICABLE CRIMPING MACHINE AND CRIMPING CONDITIONS
 (CRIMP HEIGHT etc.) WILL BE SPECIFIED ACCORDING TO
 AWG # OR WIRE APPLIED.
 3. ONE PACKAGE CONSISTS OF 100 PCS.

NO. 1		MATERIAL COPPER ALLOY		FINISH . REMARKS CONTACT AREA : GOLD PLATING 0.2μm MIN. TERMINAL AREA : TIN PLATING 1μm MIN. UNDER PLATING : NICKEL PLATING 0.5μm MIN.			
UNITS mm		SCALE 5 : 1	COUNT 1	DESCRIPTION OF REVISIONS DIS-E-004877	DESIGNED TY. MIURA	CHECKED AH. KODAMA	DATE 13. 12. 20
APPROVED : RI. TAKAYASU 13. 06. 24		DRAWING NO. EDC3-128348-00		DESIGNED : YH. MAMADA 13. 06. 21		PART NO. PQ50A-15PCA	
CHECKED : AH. KODAMA 13. 06. 24		CODE NO. CL236-2075-7-00		DRAWN : YH. MAMADA 13. 06. 21		1/1	

X-ON Electronics

Largest Supplier of Electrical and Electronic Components

Click to view similar products for [Heavy Duty Power Connectors](#) category:

Click to view products by [Hirose](#) manufacturer:

Other Similar products are found below :

[6646058-2](#) [6646137-1](#) [6646138-1](#) [6646940-1](#) [6651091-1](#) [6651525-1](#) [6651529-1](#) [696475-1](#) [702-32-01109](#) [73080255059](#) [73080965046](#)
[7310205040001](#) [765-16-0080B](#) [765-18-0080D](#) [902-77-02113](#) [PS00/A0620/6300](#) [AN0024023](#) [154-42B7WM250](#) [MS3117-14AC](#) [1643543-1](#)
[1766966-1](#) [1791340000](#) [NLDFT-3-BL-L-S120-M40A](#) [NLDFT-N-W-L-C240-M40B](#) [1926015-1](#) [NLS-3-BL-C240-M40B](#) [NLS-N-W-C240-](#)
[M40B](#) [NPS-3-BL-T6](#) [2-1589900-8](#) [9300480317](#) [294-0091-01100](#) [296-0040-01100](#) [1-6609148-0](#) [A32595-0049](#) [1766249-1](#) [19000005132](#)
[1926016-1](#) [1-966831-8](#) [AN0024202](#) [AN0264023](#) [279-0841-10100A](#) [281-0334-00100A](#) [RMSB4](#) [419-2083-301](#) [LCDX4/0-14B-X](#) [075-8519-](#)
[001](#) [078238-1613](#) [07.470.3256.0](#) [09000005288](#) [09140240311](#)