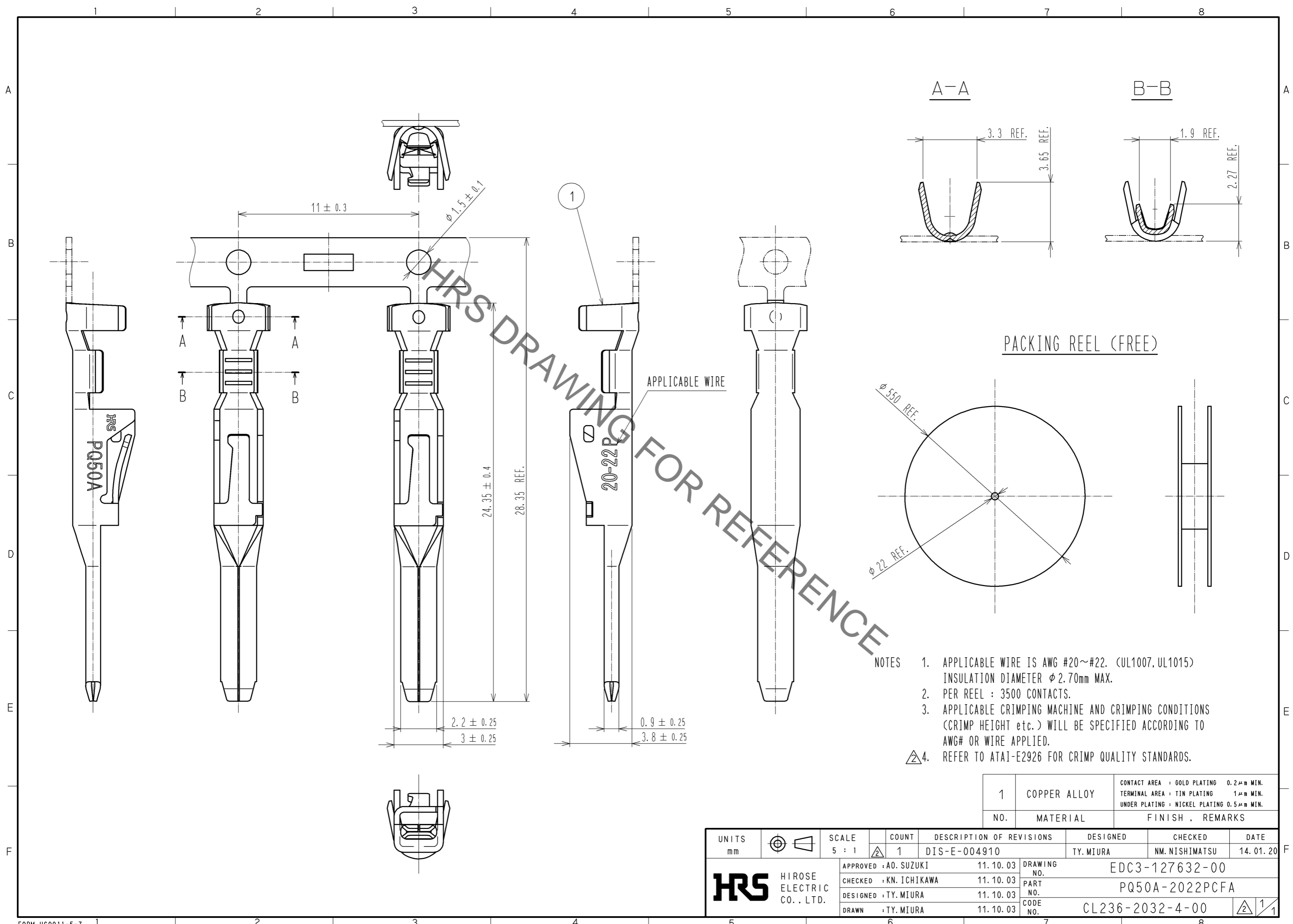


Sep.1.2021 Copyright 2021 HIROSE ELECTRIC CO., LTD. All Rights Reserved.
In case of consideration for using Automotive equipment / device which demand high reliability, kindly contact our sales window correspondents.



HRS DRAWING FOR REFERENCE

- NOTES
1. APPLICABLE WIRE IS AWG #20~#22. (UL1007, UL1015) INSULATION DIAMETER φ 2.70mm MAX.
 2. PER REEL : 3500 CONTACTS.
 3. APPLICABLE CRIMPING MACHINE AND CRIMPING CONDITIONS (CRIMP HEIGHT etc.) WILL BE SPECIFIED ACCORDING TO AWG# OR WIRE APPLIED.
 - △4. REFER TO ATAI-E2926 FOR CRIMP QUALITY STANDARDS.

1	COPPER ALLOY	CONTACT AREA : GOLD PLATING 0.2μm MIN. TERMINAL AREA : TIN PLATING 1μm MIN. UNDER PLATING : NICKEL PLATING 0.5μm MIN.
NO.	MATERIAL	FINISH , REMARKS

UNITS mm		SCALE 5 : 1	COUNT 1	DESCRIPTION OF REVISIONS DIS-E-004910	DESIGNED TY. MIURA	CHECKED NM. NISHIMATSU	DATE 14. 01. 20
APPROVED : AO. SUZUKI 11. 10. 03				DRAWING NO. EDC3-127632-00			
CHECKED : KN. ICHIKAWA 11. 10. 03				PART NO. PQ50A-2022PCFA			
DESIGNED : TY. MIURA 11. 10. 03				CODE NO. CL236-2032-4-00			
DRAWN : TY. MIURA 11. 10. 03				△ 1/1			

X-ON Electronics

Largest Supplier of Electrical and Electronic Components

Click to view similar products for [Heavy Duty Power Connectors](#) category:

Click to view products by [Hirose](#) manufacturer:

Other Similar products are found below :

[647757-1](#) [6643411-1](#) [6646058-2](#) [6646137-1](#) [6646138-1](#) [6646479-1](#) [6646608-1](#) [6646786-1](#) [6646940-1](#) [6651091-1](#) [6651525-1](#) [6651529-1](#)
[6651788-1](#) [696475-1](#) [702-32-01109](#) [703-25-02205](#) [73000005059](#) [73000005642](#) [765-15-0080A](#) [765-16-0080B](#) [765-18-0080D](#) [829992-1](#)
[902-77-02113](#) [PS00/A0620/6300](#) [129-1J](#) [1409400](#) [AN0024023](#) [E6374G1](#) [e6389g2](#) [157-43GW8](#) [MS3117-14AC](#) [1643543-1](#) [1650540-1](#)
[1651811-2](#) [1766260-1](#) [1766282-1](#) [1766966-1](#) [1791340000](#) [NLDFT-3-BL-L-S120-M40A](#) [NLDFT-N-W-L-C240-M40B](#) [NLS-2-R-C240-](#)
[M40B](#) [NLS-N-W-C240-M40B](#) [NPS-3-BL-T6](#) [1986615-1](#) [2-1589900-8](#) [2199314-1](#) [KA8102](#) [9300480317](#) [SBS50BRN#6](#) [29131](#)