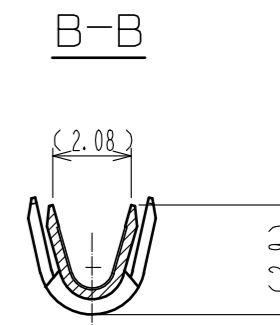
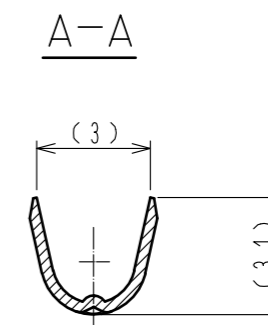
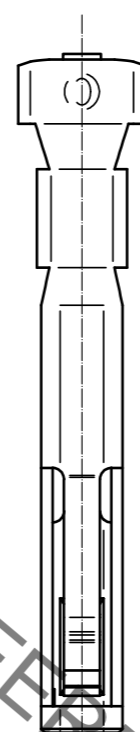
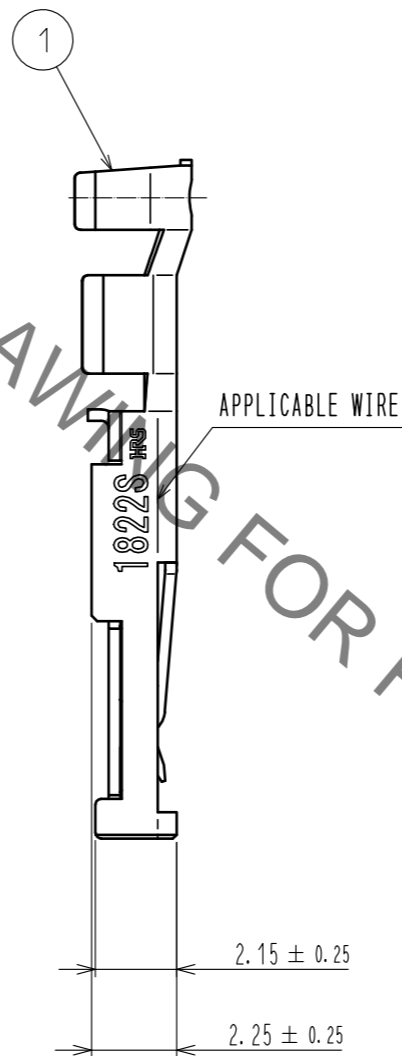
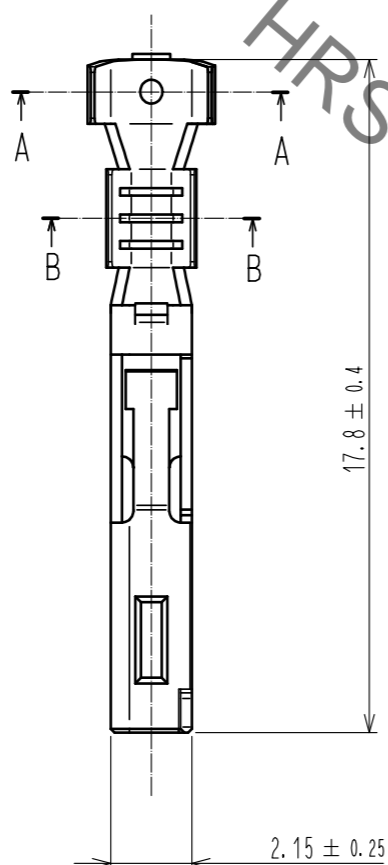
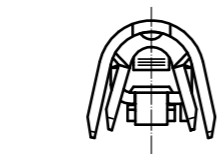
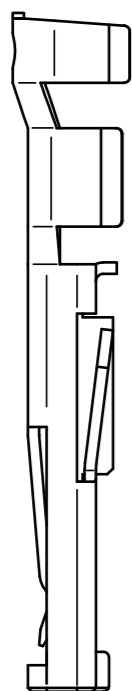


Nov.1.2022 Copyright 2022 HIROSE ELECTRIC CO., LTD. All Rights Reserved.
In case of consideration for using Automotive equipment / device which demand high reliability, kindly contact our sales window correspondents.



- NOTES
1. APPLICABLE WIRE IS AWG #17~#22. (UL1007 : AWG #18~#22)
INSURATION DIAMETER ϕ 2.25mm MAX.
 2. APPLICABLE CRIMPING MACHINE AND CRIMPING CONDITIONS (CRIMP HEIGHT etc.)
WILL BE SPECIFIED ACCORDING TO AWG # OR WIRE APPLIED.
 3. ONE PACKAGE CONSISTS OF 100 PCS.
 4. REFER TO ETAD-E2961 FOR INCORPORABLE CONNECTOR PARTS AND APPLICABLE CONNECTOR.
 5. REFER TO ATAD-E3238 FOR CRIMP QUALITY STANDARDS.

NO.		MATERIAL		FINISH . REMARKS		NO.		MATERIAL		FINISH . REMARKS	
		1		COPPER ALLOY				CONTACT AREA : GOLD PLATING 0.2 μ m min		TERMINAL AREA : TIN PLATING 1 μ m min	
								UNDER PLATEING : NICKEL PLATING 0.5 μ m min			
UNITS		SCALE	COUNT	DESCRIPTION OF REVISIONS				DESIGNED	CHECKED	DATE	
mm		5 : 1									
HRS HIROSE ELECTRIC CO., LTD.		APPROVED : MN. KENJO	20211222	DRAWING NO. EDC-397384-00-00							
		CHECKED : KG. OKITA	20211221	PART NO. PQ50S2-1822SCA							
		DESIGNED : HY. MATSUDA	20211221	CODE NO. CL0236-0050-0-00							
		DRAWN : HY. MATSUDA	20211221								

X-ON Electronics

Largest Supplier of Electrical and Electronic Components

Click to view similar products for [Heavy Duty Power Connectors](#) category:

Click to view products by [Hirose](#) manufacturer:

Other Similar products are found below :

[6646058-2](#) [6646137-1](#) [6646138-1](#) [6646940-1](#) [6651091-1](#) [6651525-1](#) [6651529-1](#) [696475-1](#) [702-32-01109](#) [73080255059](#) [73080965046](#)
[7310205040001](#) [765-16-0080B](#) [765-18-0080D](#) [902-77-02113](#) [PS00/A0620/6300](#) [AN0024023](#) [154-42B7WM250](#) [MS3117-14AC](#) [1643543-1](#)
[1766966-1](#) [1791340000](#) [NLDFT-3-BL-L-S120-M40A](#) [NLDFT-N-W-L-C240-M40B](#) [1926015-1](#) [NLS-3-BL-C240-M40B](#) [NLS-N-W-C240-](#)
[M40B](#) [NPS-3-BL-T6](#) [2-1589900-8](#) [9300480317](#) [294-0091-01100](#) [296-0040-01100](#) [1-6609148-0](#) [A32595-0049](#) [1766249-1](#) [19000005132](#)
[1926016-1](#) [1-966831-8](#) [AN0024202](#) [AN0264023](#) [279-0841-10100A](#) [281-0334-00100A](#) [RMSB4](#) [419-2083-301](#) [LCDX4/0-14B-X](#) [075-8519-](#)
[001](#) [078238-1613](#) [07.470.3256.0](#) [09000005288](#) [09140240311](#)