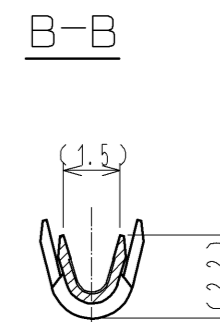
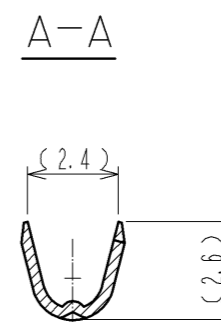
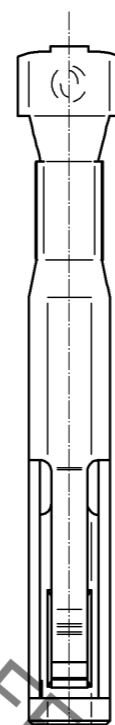
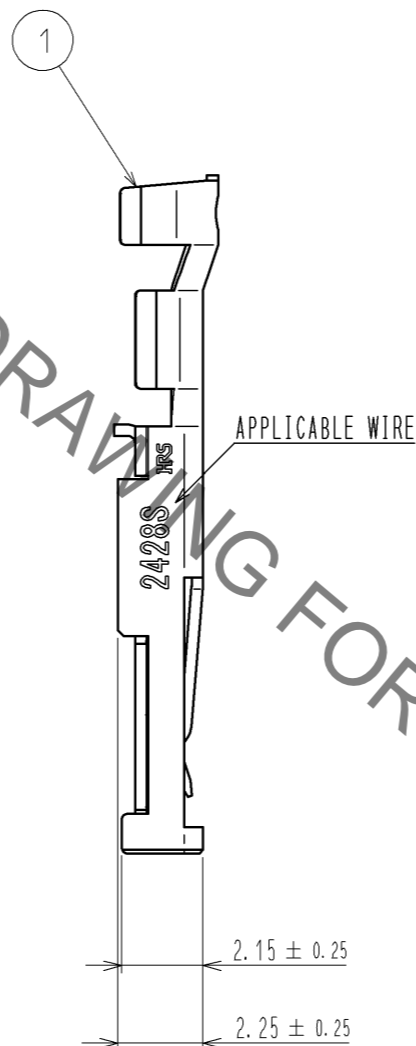
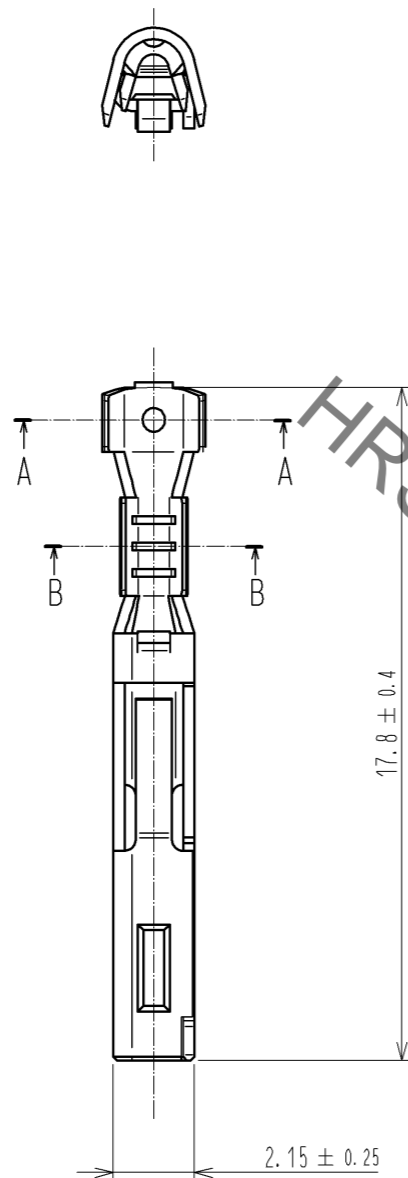
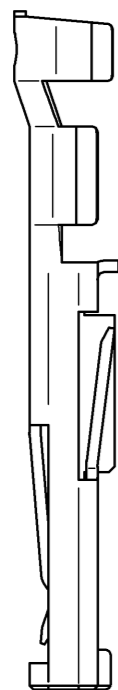


Aug.1.2021 Copyright 2021 HIROSE ELECTRIC CO., LTD. All Rights Reserved.  
In case of consideration for using Automotive equipment / device which demand high reliability, kindly contact our sales window correspondents.



- NOTES
1. APPLICABLE WIRE IS AWG #23~#28. (UL1007 : AWG #24~#28)  
INSURATION DIAMETER  $\phi$ 1.80mm MAX.
  2. APPLICABLE CRIMPING MACHINE AND CRIMPING CONDITIONS (CRIMP HEIGHT etc.)  
WILL BE SPECIFIED ACCORDING TO AWG # OR WIRE APPLIED.
  3. ONE PACKAGE CONSISTS OF 100 PCS.
  4. REFER TO ETAD-E2961 FOR INCORPORABLE CONNECTOR PARTS AND APPLICABLE CONNECTOR.
  - △ 5. REFER TO ATAI-E3024 FOR CRIMP QUALITY STANDARDS.

NO.		MATERIAL		FINISH . REMARKS		NO.		MATERIAL		FINISH . REMARKS	
		1		COPPER ALLOY				CONTACT AREA : GOLD PLATING 0.2 $\mu$ m min		TERMINAL AREA : TIN PLATING 1 $\mu$ m min	
								UNDER PLATING : NICKEL PLATING 0.5 $\mu$ m min			
UNITS	mm	SCALE	5 : 1	COUNT	△ 1	DESCRIPTION OF REVISIONS	DESIGNED	CHECKED	DATE		
						DIS-E-004910	TY. MIURA	NM. NISHIMATSU	14. 01. 20		
						APPROVED : RI. TAKAYASU 12. 12. 11	DRAWING NO.		EDC3-128198-00		
						CHECKED : AH. KODAMA 12. 12. 11	PART NO.		PQ50S-2428SCA		
						DESIGNED : TY. MIURA 12. 12. 10	CODE NO.		CL236-2051-9-00		
						DRAWN : TY. MIURA 12. 12. 10			△ 1/1		

## X-ON Electronics

Largest Supplier of Electrical and Electronic Components

*Click to view similar products for [Heavy Duty Power Connectors](#) category:*

*Click to view products by [Hirose](#) manufacturer:*

Other Similar products are found below :

[647757-1](#) [6643411-1](#) [6646058-2](#) [6646137-1](#) [6646138-1](#) [6646479-1](#) [6646608-1](#) [6646786-1](#) [6646940-1](#) [6651091-1](#) [6651525-1](#) [6651529-1](#)  
[6651788-1](#) [696475-1](#) [73000005059](#) [73000005642](#) [765-15-0080A](#) [765-16-0080B](#) [829992-1](#) [902-77-02113](#) [129-1J](#) [AN0024023](#) [E6374G1](#)  
[e6389g2](#) [157-43GW8](#) [MS3117-14AC](#) [1643543-1](#) [1650540-1](#) [1651811-2](#) [1766260-1](#) [1766282-1](#) [1766966-1](#) [1791340000](#) [NLDFT-3-BL-L-](#)  
[S120-M40A](#) [NLDFT-N-W-L-C240-M40B](#) [NLS-2-R-C240-M40B](#) [NLS-N-W-C240-M40B](#) [NPS-3-BL-T6](#) [1986615-1](#) [2-1589900-8](#) [2199314-1](#)  
[KA8102](#) [9300480317](#) [SBS50BRN#6](#) [29131](#) [29652](#) [1646905-1](#) [1648320-1](#) [1648582-1](#) [1650195-2](#)