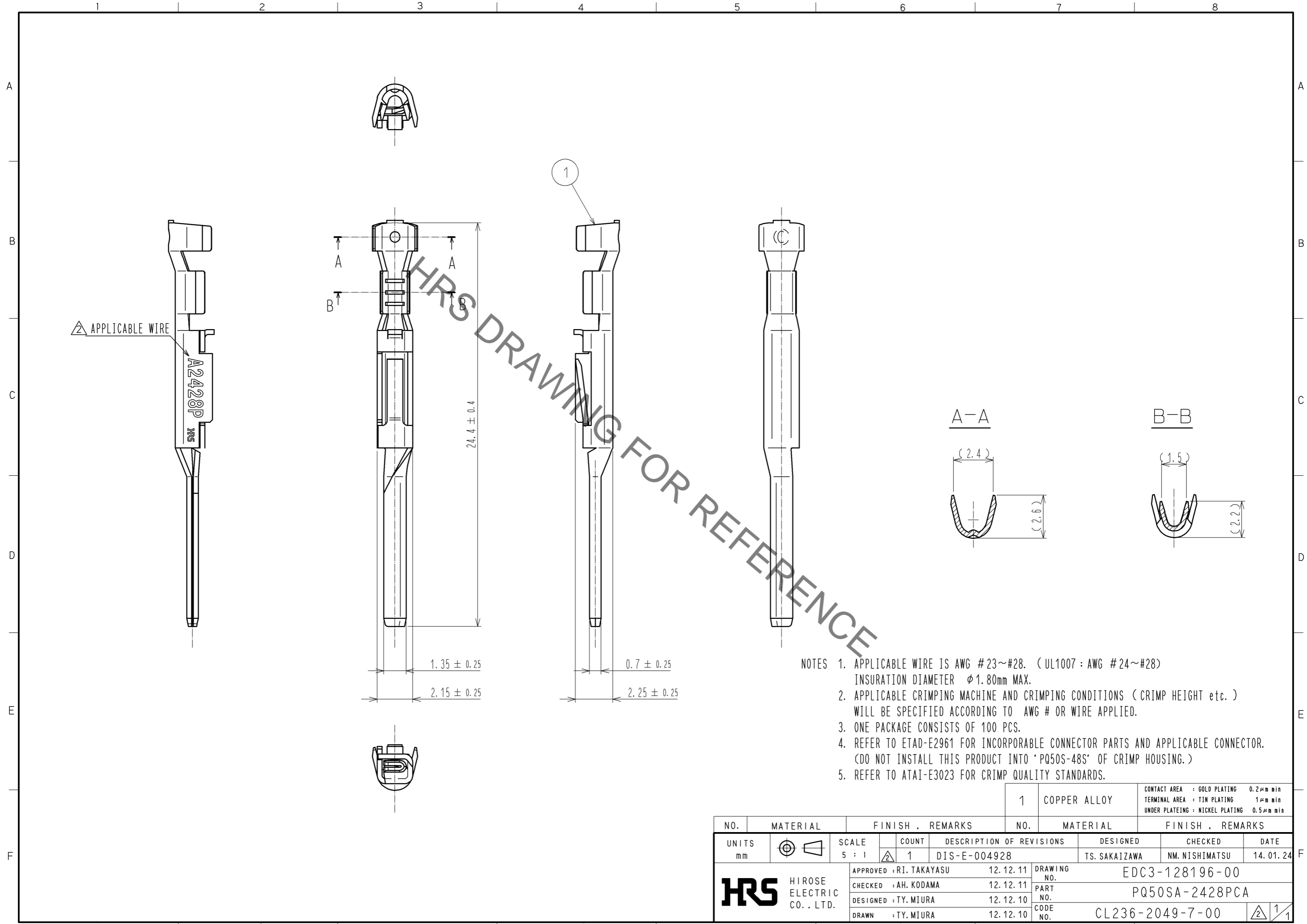


Sep.1.2021 Copyright 2021 HIROSE ELECTRIC CO., LTD. All Rights Reserved.
In case of consideration for using Automotive equipment / device which demand high reliability, kindly contact our sales window correspondents.



HRS DRAWING FOR REFERENCE

- NOTES
1. APPLICABLE WIRE IS AWG #23~#28. (UL1007 : AWG #24~#28)
INSURATION DIAMETER φ1.80mm MAX.
 2. APPLICABLE CRIMPING MACHINE AND CRIMPING CONDITIONS (CRIMP HEIGHT etc.)
WILL BE SPECIFIED ACCORDING TO AWG # OR WIRE APPLIED.
 3. ONE PACKAGE CONSISTS OF 100 PCS.
 4. REFER TO ETAD-E2961 FOR INCORPORABLE CONNECTOR PARTS AND APPLICABLE CONNECTOR.
(DO NOT INSTALL THIS PRODUCT INTO 'PQ50S-48S' OF CRIMP HOUSING.)
 5. REFER TO ATAI-E3023 FOR CRIMP QUALITY STANDARDS.

	NO.	MATERIAL	FINISH . REMARKS	NO.	MATERIAL	FINISH . REMARKS
	1	COPPER ALLOY				CONTACT AREA : GOLD PLATING 0.2μm min TERMINAL AREA : TIN PLATING 1μm min UNDER PLATING : NICKEL PLATING 0.5μm min
UNITS mm	SCALE 5 : 1	COUNT 1	DESCRIPTION OF REVISIONS DIS-E-004928	DESIGNED TS. SAKAIZAWA	CHECKED NM. NISHIMATSU	DATE 14.01.24
 HIROSE ELECTRIC CO., LTD.		APPROVED : RI. TAKAYASU	12.12.11	DRAWING NO. EDC3-128196-00 PART NO. PQ50SA-2428PCA CODE NO. CL236-2049-7-00		
		CHECKED : AH. KODAMA	12.12.11			
		DESIGNED : TY. MIURA	12.12.10			
		DRAWN : TY. MIURA	12.12.10			
1						1/1

X-ON Electronics

Largest Supplier of Electrical and Electronic Components

Click to view similar products for [Heavy Duty Power Connectors](#) category:

Click to view products by [Hirose](#) manufacturer:

Other Similar products are found below :

[647757-1](#) [6643411-1](#) [6646058-2](#) [6646137-1](#) [6646138-1](#) [6646479-1](#) [6646608-1](#) [6646786-1](#) [6646940-1](#) [6651091-1](#) [6651525-1](#) [6651529-1](#)
[6651788-1](#) [696475-1](#) [702-32-01109](#) [703-25-02205](#) [73000005059](#) [73000005642](#) [765-15-0080A](#) [765-16-0080B](#) [765-18-0080D](#) [829992-1](#)
[902-77-02113](#) [PS00/A0620/6300](#) [129-1J](#) [1409400](#) [AN0024023](#) [E6374G1](#) [e6389g2](#) [157-43GW8](#) [MS3117-14AC](#) [1643543-1](#) [1650540-1](#)
[1651811-2](#) [1766260-1](#) [1766282-1](#) [1766966-1](#) [1791340000](#) [NLDFT-3-BL-L-S120-M40A](#) [NLDFT-N-W-L-C240-M40B](#) [NLS-2-R-C240-](#)
[M40B](#) [NLS-N-W-C240-M40B](#) [NPS-3-BL-T6](#) [1986615-1](#) [2-1589900-8](#) [2199314-1](#) [KA8102](#) [9300480317](#) [SBS50BRN#6](#) [29131](#)