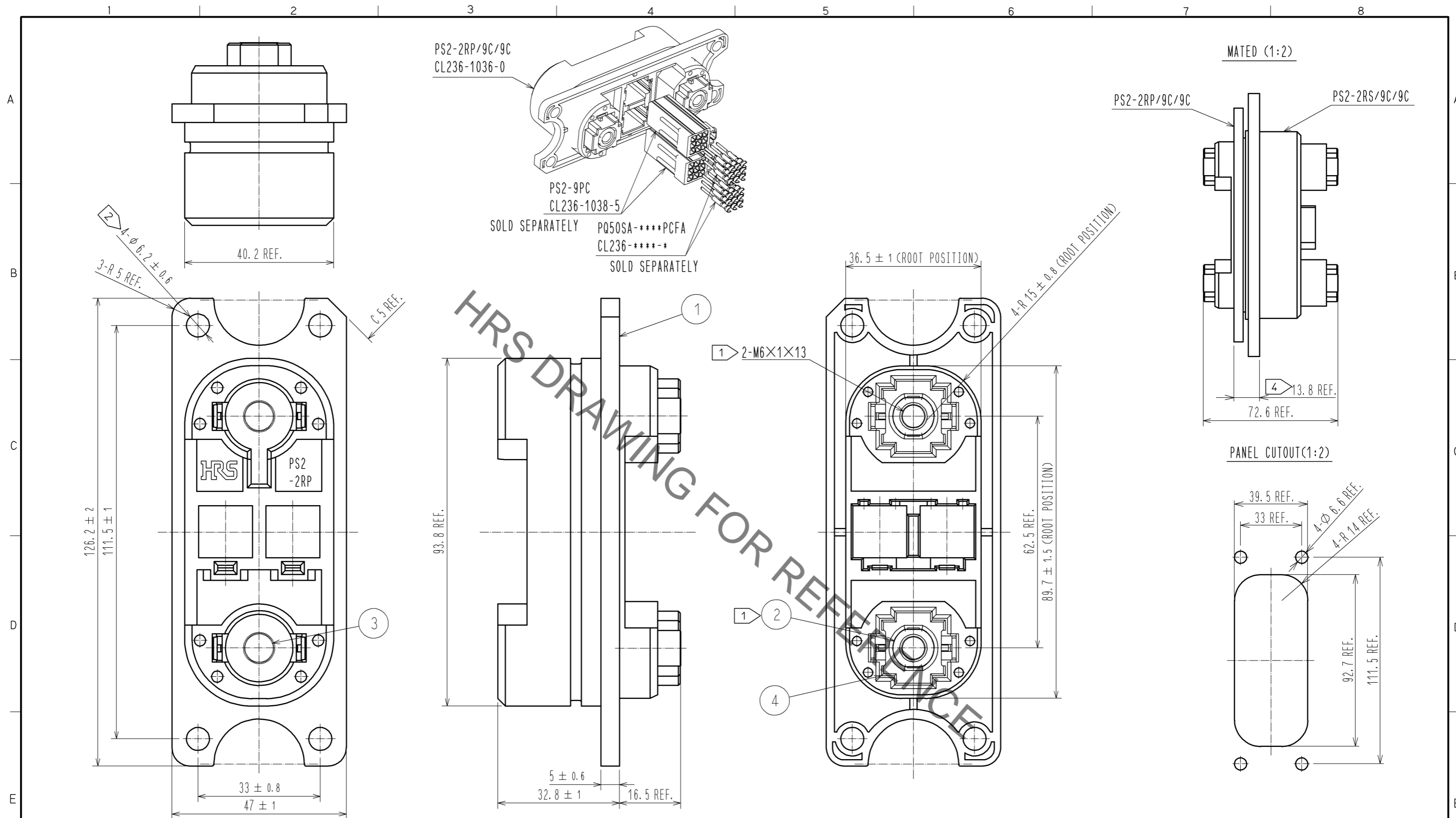


Sep.1.2019 Copyright 2019 HIROSE ELECTRIC CO., LTD. All Rights Reserved.
In case of consideration for using Automotive equipment / device which demand high reliability, kindly contact our sales window correspondents.



- NOTES
- 1 THE RECOMMENDED TIGHTENING TORQUE OF REF NO.2 TO BE 5 N · m.
 - 2 THE SCREW USED FOR PANEL ATTACHMENT IS SET TO M6.
AND THE RECOMMENDED TIGHTENING TORQUE TO BE 5 N · m.
 - 3 APPLICABLE CONNECTOR SHOWN IN THE TABLE BELOW.

PART No.	CODE No.
PS2-2RS/9C/9C	236-1037-2-00

- 4 THE DIMENSIONS BETWEEN THE PANEL SHALL BE 13.8 TO 14.8mm.

NO.	MATERIAL	FINISH	REMARKS	NO.	MATERIAL	FINISH	REMARKS
2	COPPER ALLOY	SILVER PLATING	3 μm min	4	PBT	BLACK.	UL94V-0
1	PBT	BLACK.	UL94V-0	3	PBT	BLACK.	UL94V-0

UNITS	SCALE	COUNT	DESCRIPTION OF REVISIONS	DESIGNED	CHECKED	DATE
mm	1 : 1	△	APPROVED : NM. NISHIMATSU 13.10.24			
			CHECKED : NM. NISHIMATSU 13.10.24			
			DESIGNED : MO. SHIMOYAMA 13.10.24			
			DRAWN : MO. SHIMOYAMA 13.10.24			

DRAWING NO.	PART NO.	CODE NO.
EDC3-127981-00	PS2-2RP/9C/9C	CL236-1036-0-00

X-ON Electronics

Largest Supplier of Electrical and Electronic Components

Click to view similar products for [Heavy Duty Power Connectors](#) category:

Click to view products by [Hirose](#) manufacturer:

Other Similar products are found below :

[647757-1](#) [6643411-1](#) [6646058-2](#) [6646137-1](#) [6646138-1](#) [6646479-1](#) [6646608-1](#) [6646786-1](#) [6646940-1](#) [6651091-1](#) [6651525-1](#) [6651529-1](#)
[6651788-1](#) [696475-1](#) [73000005059](#) [73000005642](#) [765-15-0080A](#) [765-16-0080B](#) [829992-1](#) [902-77-02113](#) [129-1J](#) [AN0024023](#) [E6374G1](#)
[e6389g2](#) [157-43GW8](#) [MS3117-14AC](#) [1643543-1](#) [1650540-1](#) [1651811-2](#) [1766260-1](#) [1766282-1](#) [1766966-1](#) [1791340000](#) [NLDFT-3-BL-L-](#)
[S120-M40A](#) [NLDFT-N-W-L-C240-M40B](#) [NLS-2-R-C240-M40B](#) [NLS-N-W-C240-M40B](#) [NPS-3-BL-T6](#) [1986615-1](#) [2-1589900-8](#) [2199314-1](#)
[KA8102](#) [9300480317](#) [SBS50BRN#6](#) [29131](#) [29652](#) [1646905-1](#) [1648320-1](#) [1648582-1](#) [1650195-2](#)