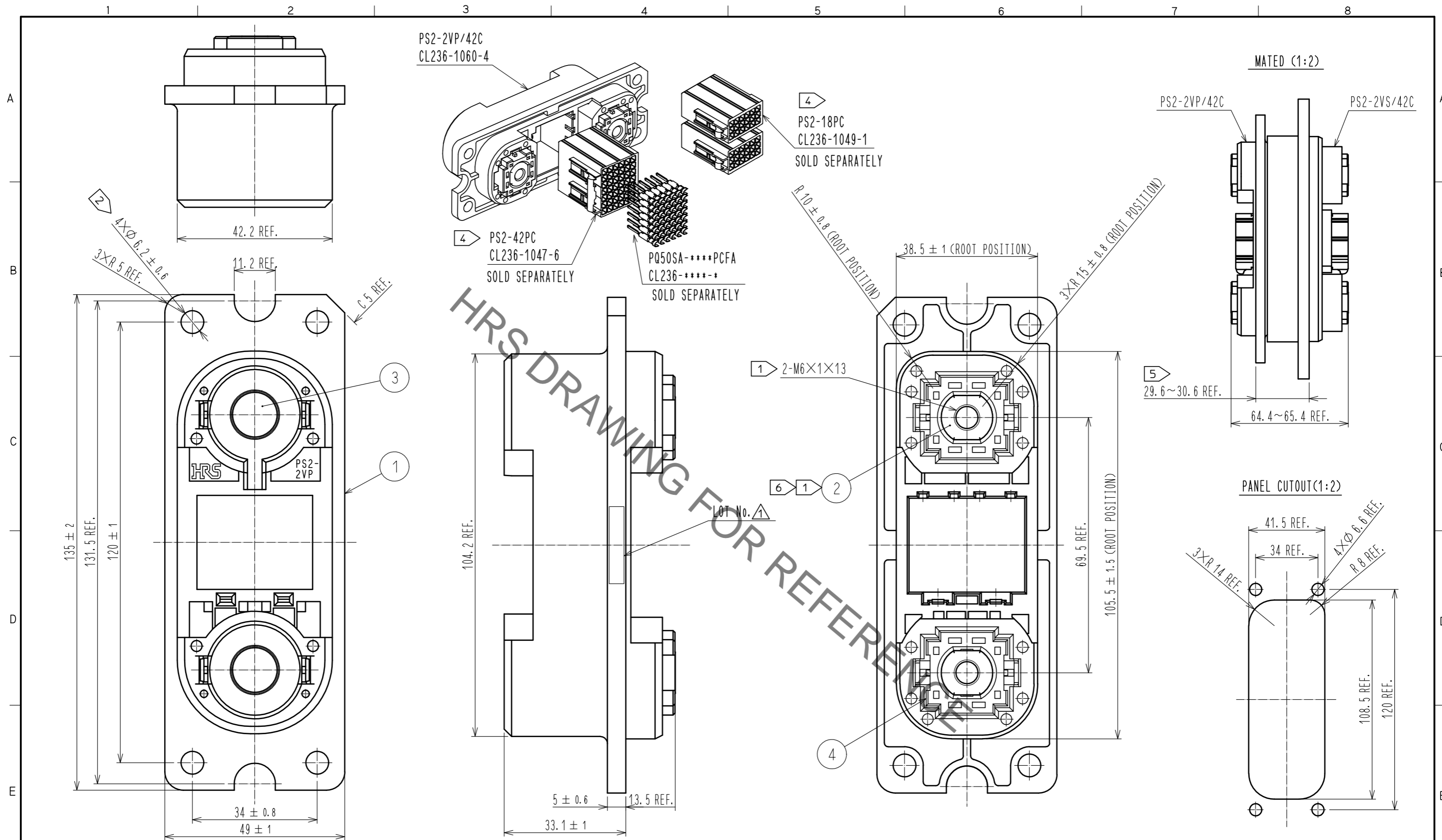


Sep.1.2019 Copyright 2019 HIROSE ELECTRIC CO., LTD. All Rights Reserved.
In case of consideration for using Automotive equipment / device which demand high reliability, kindly contact our sales window correspondents.



- NOTES
- 1 THE RECOMMENDED TIGHTENING TORQUE OF REF NO.2 TO BE 5 N · m. ALSO, THE RECOMMENDED CRIMP CONTACT ATTACHED OF REF NO.2 TO BE MANUFACTURED BY NICHIFU CO.,LTD R80-8.
 - 2 THE SCREW USED FOR PANEL ATTACHMENT IS SET TO M6. AND THE RECOMMENDED TIGHTENING TORQUE TO BE 5 N · m.
 3. APPLICABLE CONNECTOR IS PS2-2VS/42C.
 - 4 CRIMP HOUSING IS THE USE OF ONE IN THE CASE OF PS2-42PC. ALSO BECOMES THE USE OF TWO IN THE CASE OF PS2-18PC.
 - 5 THE DIMENSIONS BETWEEN THE PANEL SHALL BE 29.6 TO 30.6mm.

- 6 SINCE THE POWER CONTACTS ARE SILVER PLATED, THEY MAY REACT WITH SULFIDE IN THE ATOMOSPHER TO CHANGE THE COLOUR TO BLACKISH BROWN.
7. THIS PRODUCT IS A 200A CONNECTOR. RECOMMENDED CABLE TO BE 80SQ.
8. THE POWER CONTACT OF THIES PRODUCT IS NOT APPLICABLE FOR HOT-SWAP. IT CAN NOT BE USED TO INTERRUPT THE POWER.

2	COPPER ALLOY	SILVER PLATING:3μm min.	4	PBT	BLACK, UL94V-0
1	PBT	BLACK, UL94V-0	3	PBT	BLACK, UL94V-0
NO.	MATERIAL	FINISH . REMARKS	NO.	MATERIAL	FINISH . REMARKS
UNITS	mm	SCALE	1 : 1	COUNT	1
		DESCRIPTION OF REVISIONS	DESIGNED	CHECKED	DATE
		DIS-E-0000041	MO. SHIMOYAMA	NM. NISHIMATSU	15.02.18
APPROVED : NM. NISHIMATSU		14.07.12	DRAWING NO. EDC3-128284-00		
CHECKED : NM. NISHIMATSU		14.07.12	PART NO. PS2-2VP/42C		
DESIGNED : MO. SHIMOYAMA		14.07.12	CODE NO. CL236-1060-4-00		
DRAWN : MO. SHIMOYAMA		14.07.12			

X-ON Electronics

Largest Supplier of Electrical and Electronic Components

Click to view similar products for [Heavy Duty Power Connectors](#) category:

Click to view products by [Hirose](#) manufacturer:

Other Similar products are found below :

[647757-1](#) [6643411-1](#) [6646058-2](#) [6646137-1](#) [6646138-1](#) [6646479-1](#) [6646608-1](#) [6646786-1](#) [6646940-1](#) [6651091-1](#) [6651525-1](#) [6651529-1](#)
[6651788-1](#) [696475-1](#) [73000005059](#) [73000005642](#) [765-15-0080A](#) [765-16-0080B](#) [829992-1](#) [902-77-02113](#) [129-1J](#) [AN0024023](#) [E6374G1](#)
[e6389g2](#) [157-43GW8](#) [MS3117-14AC](#) [1643543-1](#) [1650540-1](#) [1651811-2](#) [1766260-1](#) [1766282-1](#) [1766966-1](#) [1791340000](#) [NLDFT-3-BL-L-](#)
[S120-M40A](#) [NLDFT-N-W-L-C240-M40B](#) [NLS-2-R-C240-M40B](#) [NLS-N-W-C240-M40B](#) [NPS-3-BL-T6](#) [1986615-1](#) [2-1589900-8](#) [2199314-1](#)
[KA8102](#) [9300480317](#) [SBS50BRN#6](#) [29131](#) [29652](#) [1646905-1](#) [1648320-1](#) [1648582-1](#) [1650195-2](#)