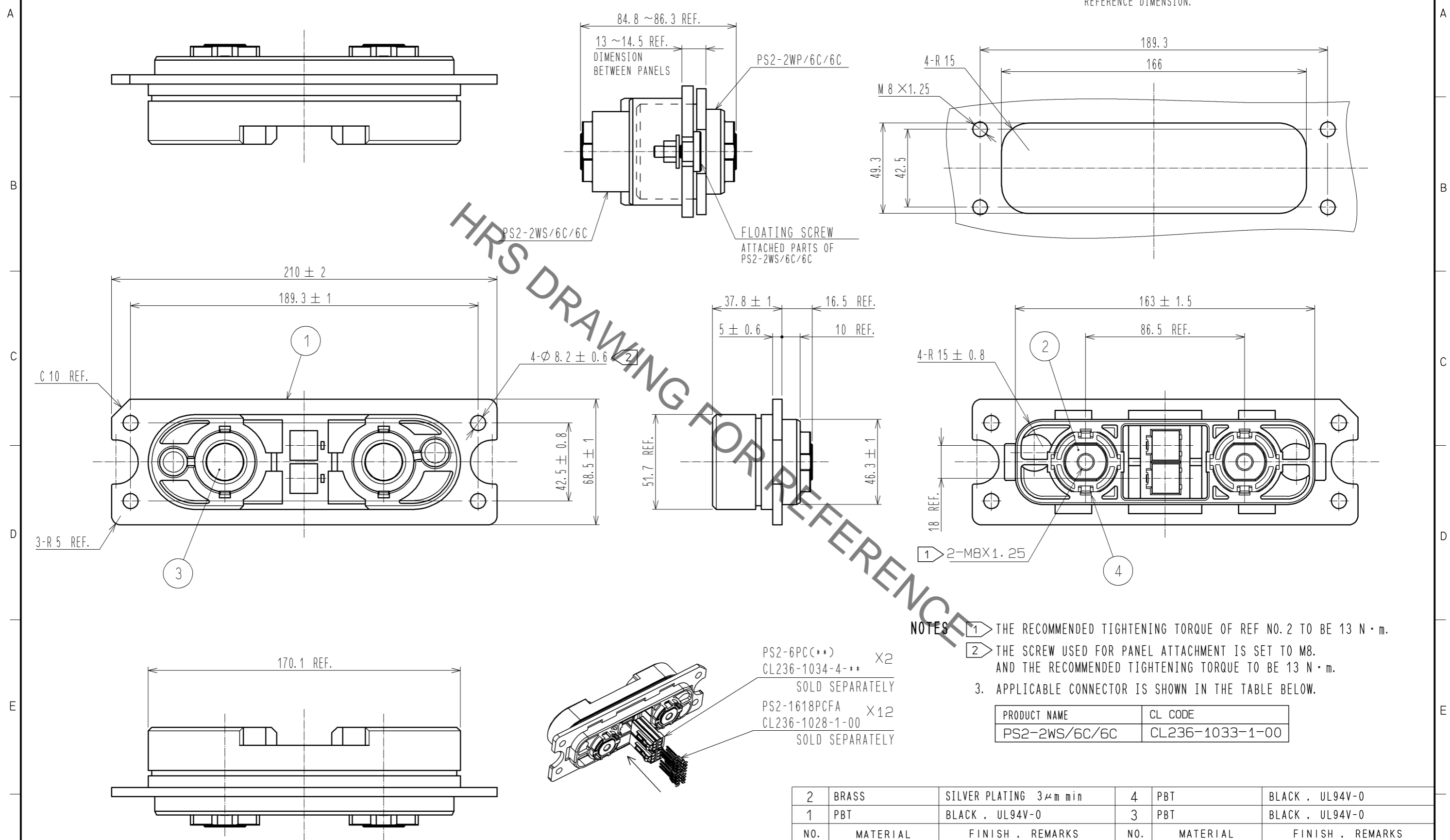


Sep.1.2021 Copyright 2021 HIROSE ELECTRIC CO., LTD. All Rights Reserved.  
In case of consideration for using Automotive equipment / device which demand high reliability, kindly contact our sales window correspondents.

**MATED CONDITION**

**PANEL CUTOUT**

TOLERANCES HAS NOT BEEN DESCRIBED  
REFERENCE DIMENSION.



- NOTES**
- ① THE RECOMMENDED TIGHTENING TORQUE OF REF NO.2 TO BE 13 N · m.
  - ② THE SCREW USED FOR PANEL ATTACHMENT IS SET TO M8, AND THE RECOMMENDED TIGHTENING TORQUE TO BE 13 N · m.
  - 3. APPLICABLE CONNECTOR IS SHOWN IN THE TABLE BELOW.

PRODUCT NAME	CL CODE
PS2-2WS/6C/6C	CL236-1033-1-00

PS2-6PC(\*\*) X2  
CL236-1034-4-\*\*  
SOLD SEPARATELY  
PS2-1618PCFA X12  
CL236-1028-1-00  
SOLD SEPARATELY

NO.	MATERIAL	FINISH	REMARKS	NO.	MATERIAL	FINISH	REMARKS
2	BRASS	SILVER PLATING	3μm min	4	PBT	BLACK	UL94V-0
1	PBT	BLACK	UL94V-0	3	PBT	BLACK	UL94V-0

UNITS	SCALE	COUNT	DESCRIPTION OF REVISIONS	DESIGNED	CHECKED	DATE
mm	1 : 2	△				

APPROVED : RI. TAKAYASU	11.12.08	DRAWING NO.	EDC3-127810-01
CHECKED : YH. ENAMI	11.12.07	PART NO.	PS2-2WP/6C/6C
DESIGNED : KI. NAGANUMA	11.12.07	CODE NO.	CL236-1032-9-00
DRAWN : KI. NAGANUMA	11.12.07		

## X-ON Electronics

Largest Supplier of Electrical and Electronic Components

*Click to view similar products for [Heavy Duty Power Connectors](#) category:*

*Click to view products by [Hirose](#) manufacturer:*

Other Similar products are found below :

[647757-1](#) [6643411-1](#) [6646058-2](#) [6646137-1](#) [6646138-1](#) [6646479-1](#) [6646608-1](#) [6646786-1](#) [6646940-1](#) [6651091-1](#) [6651525-1](#) [6651529-1](#)  
[6651788-1](#) [696475-1](#) [73000005059](#) [73000005642](#) [765-15-0080A](#) [765-16-0080B](#) [829992-1](#) [902-77-02113](#) [129-1J](#) [AN0024023](#) [E6374G1](#)  
[e6389g2](#) [157-43GW8](#) [MS3117-14AC](#) [1643543-1](#) [1650540-1](#) [1651811-2](#) [1766260-1](#) [1766282-1](#) [1766966-1](#) [1791340000](#) [NLDFT-3-BL-L-](#)  
[S120-M40A](#) [NLDFT-N-W-L-C240-M40B](#) [NLS-2-R-C240-M40B](#) [NLS-N-W-C240-M40B](#) [NPS-3-BL-T6](#) [1986615-1](#) [2-1589900-8](#) [2199314-1](#)  
[KA8102](#) [9300480317](#) [SBS50BRN#6](#) [29131](#) [29652](#) [1646905-1](#) [1648320-1](#) [1648582-1](#) [1650195-2](#)