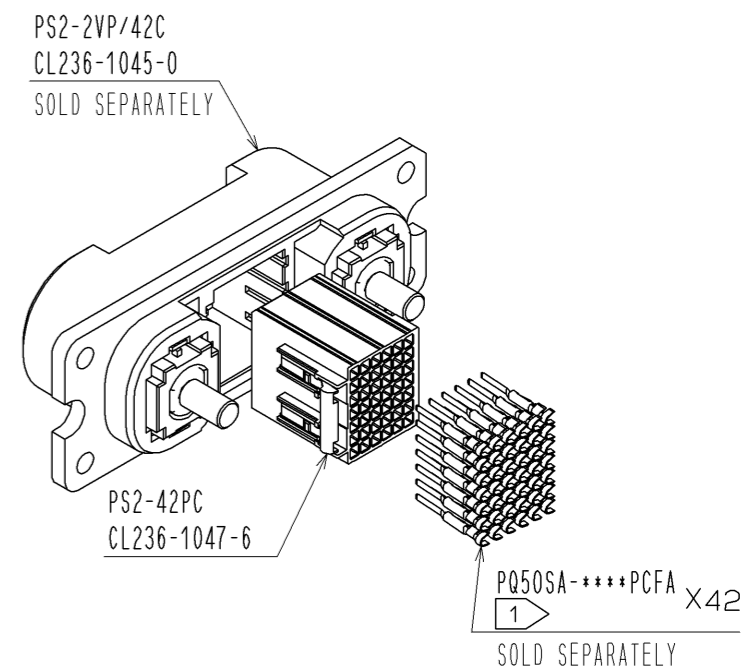
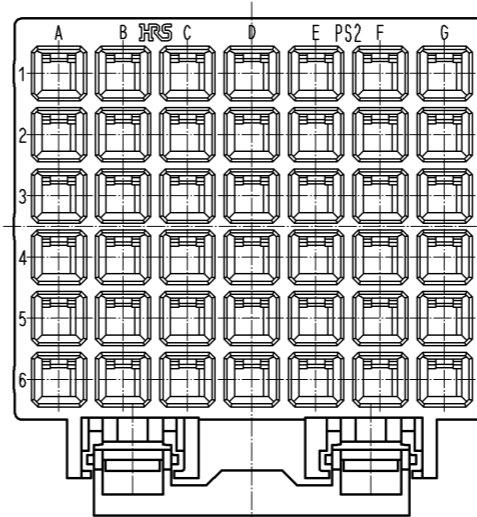
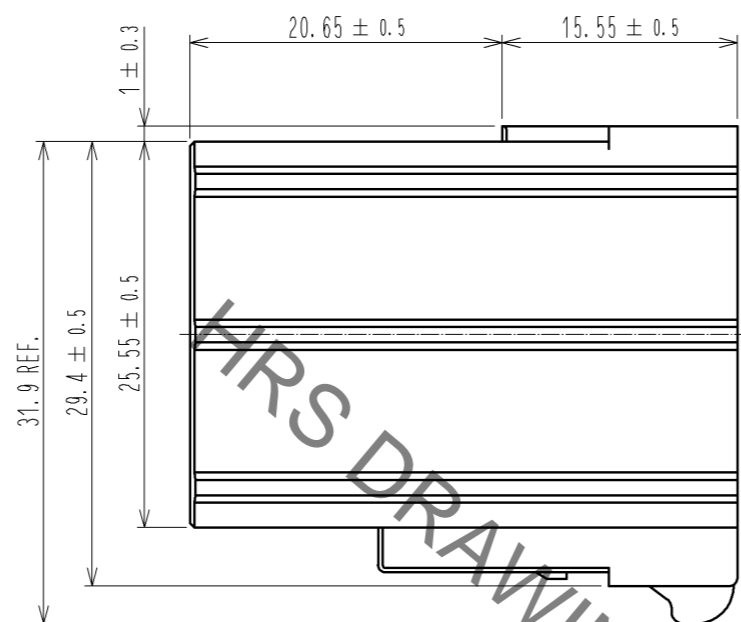
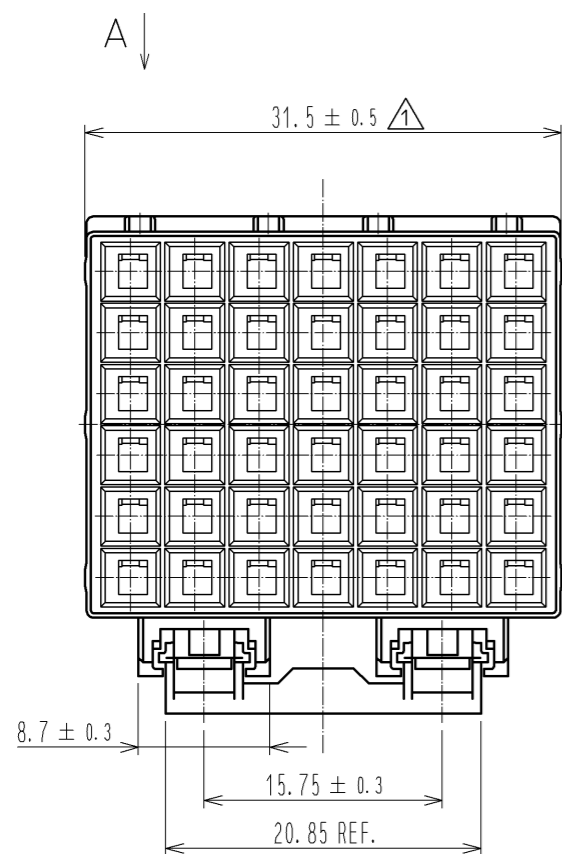
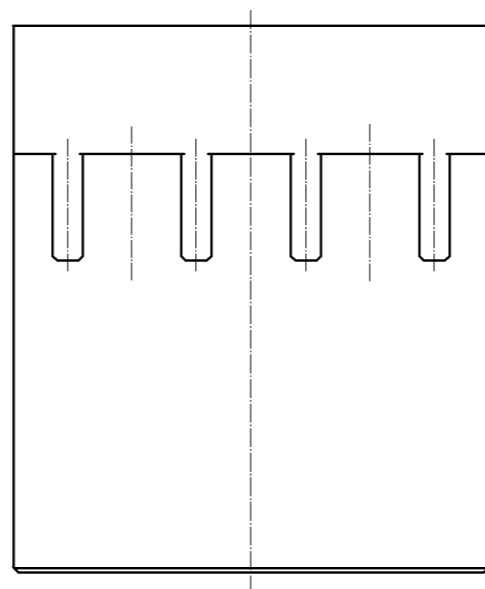
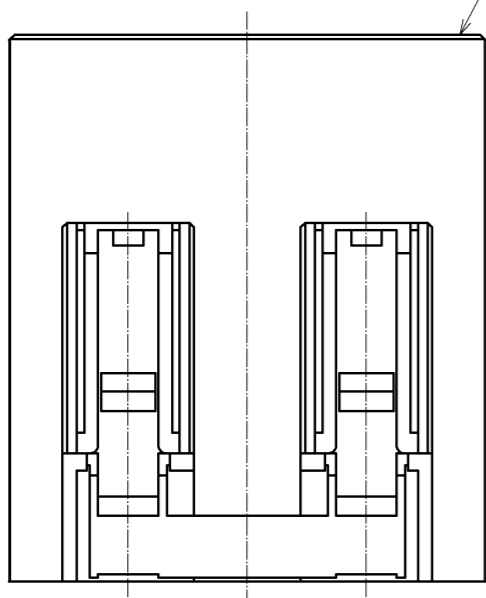


Aug.1.2021 Copyright 2021 HIROSE ELECTRIC CO., LTD. All Rights Reserved.
In case of consideration for using Automotive equipment / device which demand high reliability, kindly contact our sales window correspondents.



A DIRECTION VIEW



NOTES 1 ASSEMBLING INCORPORABLE CRIMP CONTACT IS SHOWN IN THE TABLE BELOW.

| PRODUCT NAME | CL CODE | APPLICABLE CABLE |
|-----------------|-----------------|------------------|
| PQ50SA-1822PCFA | CL236-2029-0-00 | AWG 18~22 |
| PQ50SA-2428PCFA | CL236-2030-9-00 | AWG 24~28 |

2. THIS PRODUCT IS USED INCLUDING IN THE FOLLOWING CONNECTOR.

| PRODUCT NAME | CL CODE |
|--------------|-----------------|
| PS2-2VP/42C | CL236-1045-0-00 |

3. APPLICABLE CONNECTOR IS SHOWN IN THE TABLE BELOW.

| PRODUCT NAME | CL CODE |
|--------------|-----------------|
| PS2-42SC | CL236-1048-9-00 |

| NO. | MATERIAL | FINISH . REMARKS | NO. | MATERIAL | FINISH . REMARKS |
|-----|----------|------------------|-----|----------|------------------|
| | | | 1 | PBT | BLACK . UL94V-0 |

| UNITS | SCALE | COUNT | DESCRIPTION OF REVISIONS | DESIGNED | CHECKED | DATE |
|-------|-------|-------|--------------------------|----------|---------------|------------|
| mm | 2 : 1 | 1 | DIS-E-004405 | TS. ITO | EJ. WAKATSUKI | 12. 11. 05 |

| | | | | |
|--------------------------------------|-------------------------|------------|-------------|-----------------|
| HRS HIROSE ELECTRIC CO., LTD. | APPROVED : RI. TAKAYASU | 12. 10. 30 | DRAWING NO. | EDC3-128112-00 |
| | CHECKED : EJ. WAKATSUKI | 12. 10. 30 | PART NO. | PS2-42PC |
| | DESIGNED : TS. ITO | 12. 10. 30 | CODE NO. | CL236-1047-6-00 |
| | DRAWN : TS. ITO | 12. 10. 30 | | |

X-ON Electronics

Largest Supplier of Electrical and Electronic Components

Click to view similar products for [Heavy Duty Power Connectors](#) category:

Click to view products by [Hirose](#) manufacturer:

Other Similar products are found below :

[647757-1](#) [6643411-1](#) [6646058-2](#) [6646137-1](#) [6646138-1](#) [6646479-1](#) [6646608-1](#) [6646786-1](#) [6646940-1](#) [6651091-1](#) [6651525-1](#) [6651529-1](#)
[6651788-1](#) [696475-1](#) [73000005059](#) [73000005642](#) [765-15-0080A](#) [765-16-0080B](#) [829992-1](#) [902-77-02113](#) [129-1J](#) [AN0024023](#) [E6374G1](#)
[e6389g2](#) [157-43GW8](#) [MS3117-14AC](#) [1643543-1](#) [1650540-1](#) [1651811-2](#) [1766260-1](#) [1766282-1](#) [1766966-1](#) [1791340000](#) [NLDFT-3-BL-L-](#)
[S120-M40A](#) [NLDFT-N-W-L-C240-M40B](#) [NLS-2-R-C240-M40B](#) [NLS-N-W-C240-M40B](#) [NPS-3-BL-T6](#) [1986615-1](#) [2-1589900-8](#) [2199314-1](#)
[KA8102](#) [9300480317](#) [SBS50BRN#6](#) [29131](#) [29652](#) [1646905-1](#) [1648320-1](#) [1648582-1](#) [1650195-2](#)