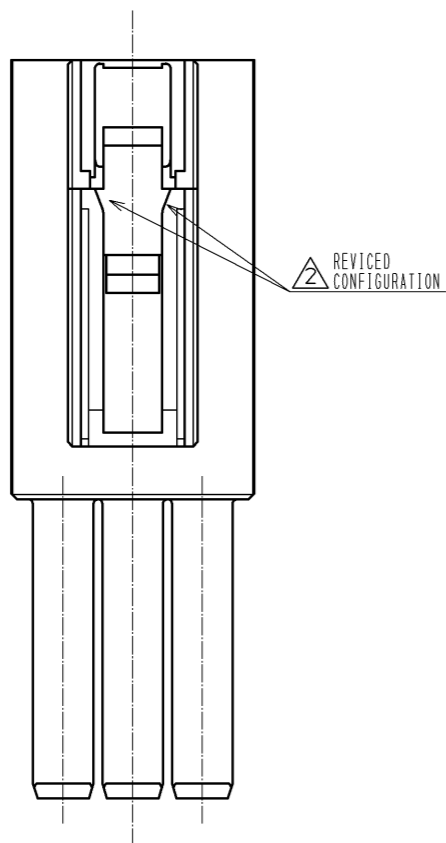


Sep.1.2021 Copyright 2021 HIROSE ELECTRIC CO., LTD. All Rights Reserved.  
In case of consideration for using Automotive equipment / device which demand high reliability, kindly contact our sales window correspondents.



**NOTES** ① ASSEMBLING INCORPORABLE CRIMP CONTACT IS SHOWN IN THE TABLE BELOW.

PRODUCT NAME	CL CODE
PS2-1618SCFA	CL236-1029-4-00

THIS PRODUCT IS DESIGNED TO ALLOW, AT LAST CONTACT NO.1, DUE TO SEQUENCE STRUCTURE OF CONTACT.

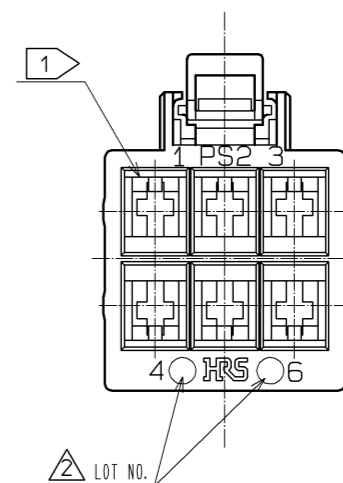
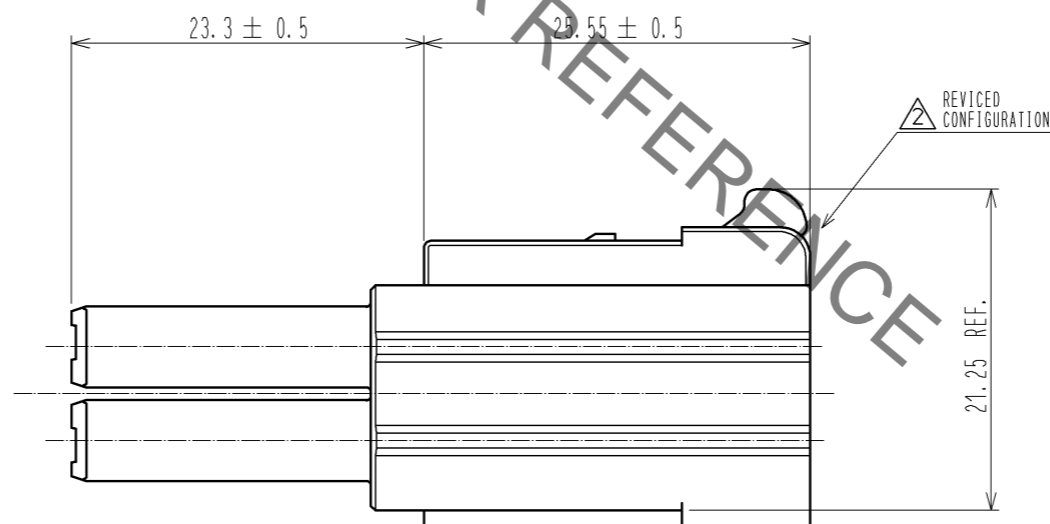
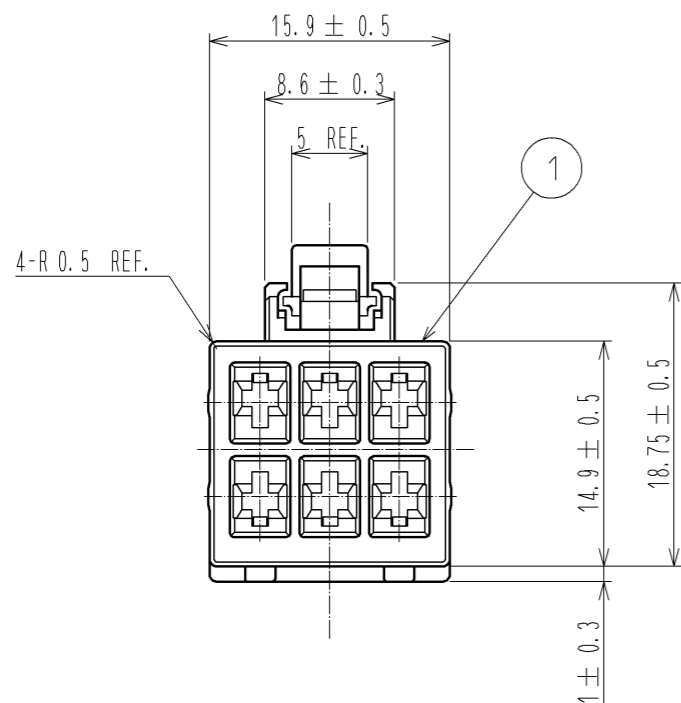
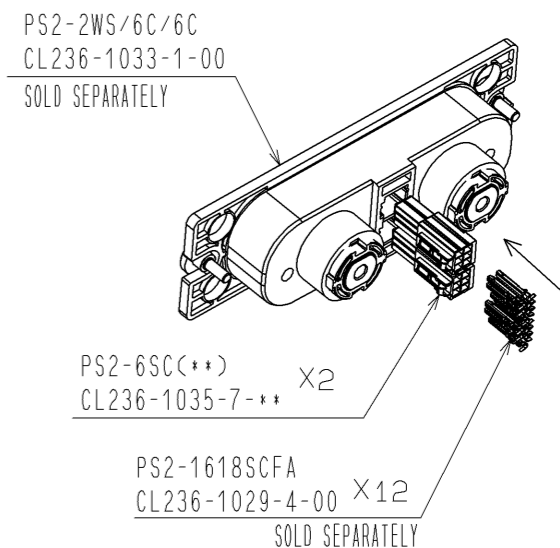
2. THIS PRODUCT IS USED INCLUDING IN THE FOLLOWING CONNECTOR.

PRODUCT NAME	CL CODE
PS2-2WS/6C/6C	CL236-1033-1-00

3. APPLICABLE CONNECTOR IS SHOWN IN THE TABLE BELOW.

PRODUCT NAME	CL CODE
PS2-6PC(※※)	CL236-1034-4-※※

④ BAG PACKAGING ( 100 PIECES / BAG ), ORDER BY NUMBER OF BAGS.



NO.	MATERIAL	FINISH . REMARKS	NO.	MATERIAL	FINISH . REMARKS
			1	PBT	BLACK . UL94V-0
UNITS mm		SCALE 2 : 1	COUNT 3	DESIGNED KI. NAGANUMA	CHECKED AH. KODAMA
DESCRIPTION OF REVISIONS DIS-E-004260			DATE 12.06.19		
APPROVED : RI. TAKAYASU 11.12.08			DRAWING NO. EDC3-127813-01		
CHECKED : YH. ENAMI 11.12.07			PART NO. PS2-6SC		
DESIGNED : KI. NAGANUMA 11.12.07			CODE NO. CL236-1035-7-00		
DRAWN : KI. NAGANUMA 11.12.07			④ 1/1		

## X-ON Electronics

Largest Supplier of Electrical and Electronic Components

*Click to view similar products for [Heavy Duty Power Connectors](#) category:*

*Click to view products by [Hirose](#) manufacturer:*

Other Similar products are found below :

[647757-1](#) [6643411-1](#) [6646058-2](#) [6646137-1](#) [6646138-1](#) [6646479-1](#) [6646608-1](#) [6646786-1](#) [6646940-1](#) [6651091-1](#) [6651525-1](#) [6651529-1](#)  
[6651788-1](#) [696475-1](#) [73000005059](#) [73000005642](#) [765-15-0080A](#) [765-16-0080B](#) [829992-1](#) [902-77-02113](#) [129-1J](#) [AN0024023](#) [E6374G1](#)  
[e6389g2](#) [157-43GW8](#) [MS3117-14AC](#) [1643543-1](#) [1650540-1](#) [1651811-2](#) [1766260-1](#) [1766282-1](#) [1766966-1](#) [1791340000](#) [NLDFT-3-BL-L-](#)  
[S120-M40A](#) [NLDFT-N-W-L-C240-M40B](#) [NLS-2-R-C240-M40B](#) [NLS-N-W-C240-M40B](#) [NPS-3-BL-T6](#) [1986615-1](#) [2-1589900-8](#) [2199314-1](#)  
[KA8102](#) [9300480317](#) [SBS50BRN#6](#) [29131](#) [29652](#) [1646905-1](#) [1648320-1](#) [1648582-1](#) [1650195-2](#)