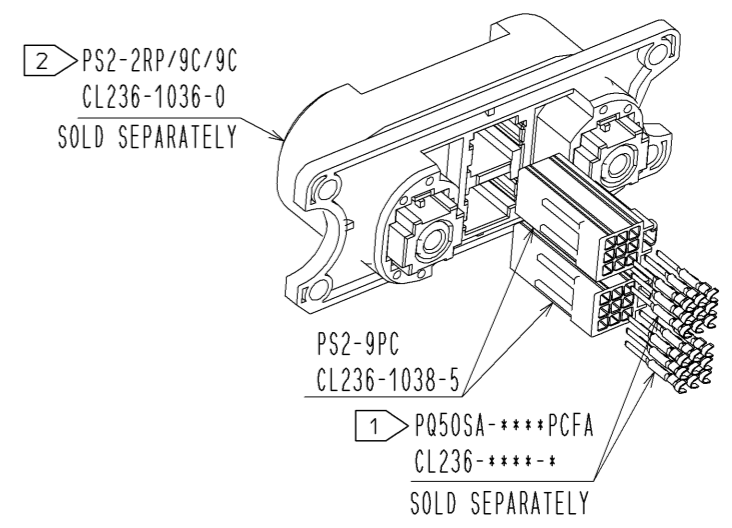
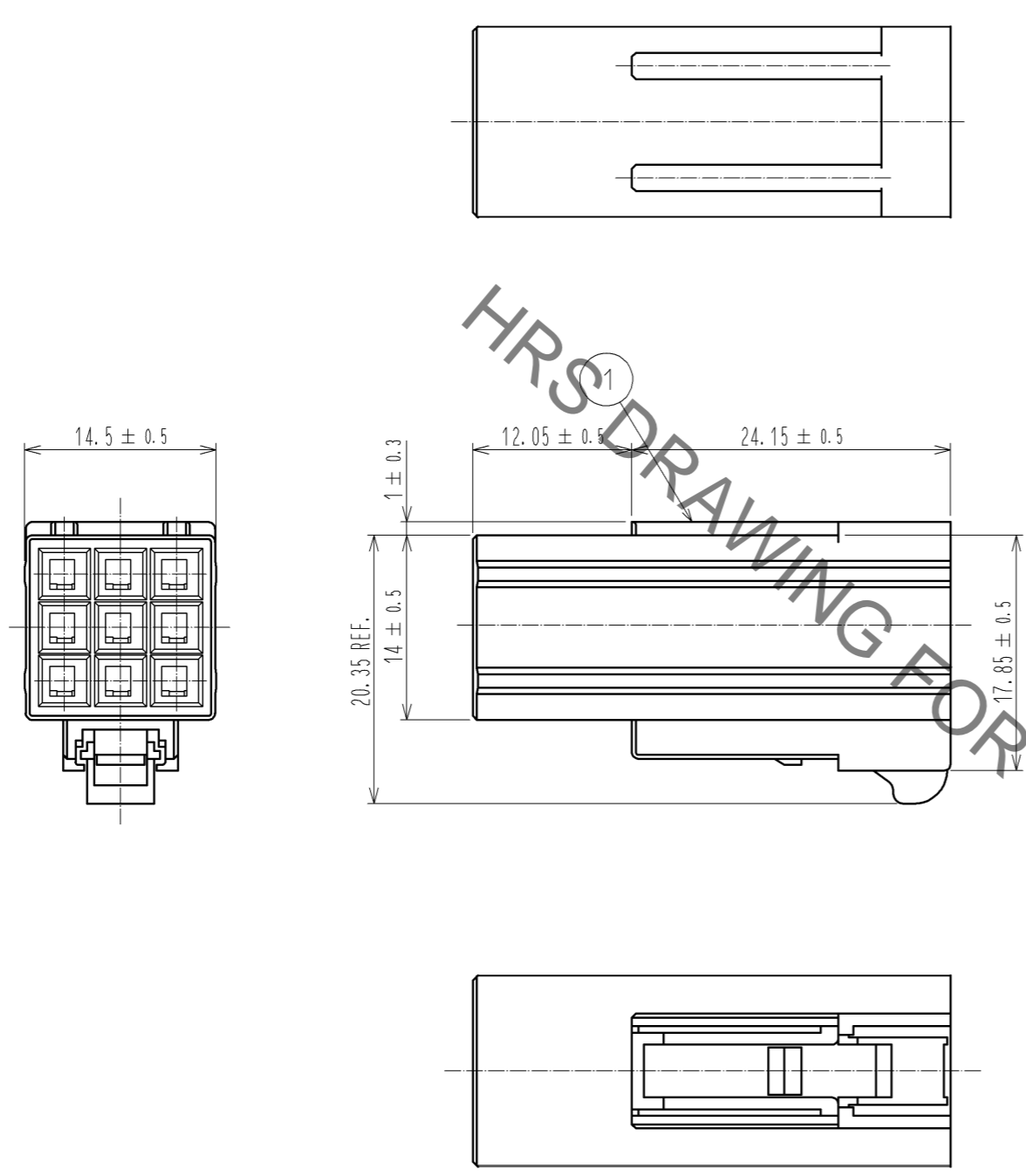


Sep.1.2021 Copyright 2021 HIROSE ELECTRIC CO., LTD. All Rights Reserved.  
In case of consideration for using Automotive equipment / device which demand high reliability, kindly contact our sales window correspondents.



NOTES 1 ASSEMBLING INCORPORABLE CRIMP CONTACT IS SHOWN IN THE TABLE BELOW.

PART No.	CODE No.	APPLICABLE CABLE
PQ50SA-1822PCFA	CL236-2029-0-00	AWG 18~22
PQ50SA-2428PCFA	CL236-2030-9-00	AWG 24~28

2 THIS PRODUCT IS USED INCLUDING IN THE FOLLOWING CONNECTOR.

PART No.	CODE No.
PS2-2RP/9C/9C	CL236-1036-0-00

3. APPLICABLE CONNECTOR IS SHOWN IN THE TABLE BELOW.

PART No.	CODE No.
PS2-9SC	CL236-1039-8-00

4. THIS PRODUCT IS AVAILABLE BY 100 PCS/PACK UNIT.

NO.	MATERIAL	FINISH . REMARKS	NO.	MATERIAL	FINISH . REMARKS
			1	PBT	BLACK . UL94V-0

UNITS	SCALE	COUNT	DESCRIPTION OF REVISIONS	DESIGNED	CHECKED	DATE
mm	2 : 1	△				

<b>HRS</b> HIROSE ELECTRIC CO., LTD.	APPROVED : NM. NISHIMATSU	13.10.24	DRAWING NO.	EDC3-127983-00
	CHECKED : NM. NISHIMATSU	13.10.24	PART NO.	PS2-9PC
	DESIGNED : MO. SHIMOYAMA	13.10.24	CODE NO.	CL236-1038-5-00
	DRAWN : MO. SHIMOYAMA	13.10.24		

## X-ON Electronics

Largest Supplier of Electrical and Electronic Components

*Click to view similar products for [Heavy Duty Power Connectors](#) category:*

*Click to view products by [Hirose](#) manufacturer:*

Other Similar products are found below :

[647757-1](#) [6643411-1](#) [6646058-2](#) [6646137-1](#) [6646138-1](#) [6646479-1](#) [6646608-1](#) [6646786-1](#) [6646940-1](#) [6651091-1](#) [6651525-1](#) [6651529-1](#)  
[6651788-1](#) [696475-1](#) [73000005059](#) [73000005642](#) [765-15-0080A](#) [765-16-0080B](#) [829992-1](#) [902-77-02113](#) [129-1J](#) [AN0024023](#) [E6374G1](#)  
[e6389g2](#) [157-43GW8](#) [MS3117-14AC](#) [1643543-1](#) [1650540-1](#) [1651811-2](#) [1766260-1](#) [1766282-1](#) [1766966-1](#) [1791340000](#) [NLDFT-3-BL-L-](#)  
[S120-M40A](#) [NLDFT-N-W-L-C240-M40B](#) [NLS-2-R-C240-M40B](#) [NLS-N-W-C240-M40B](#) [NPS-3-BL-T6](#) [1986615-1](#) [2-1589900-8](#) [2199314-1](#)  
[KA8102](#) [9300480317](#) [SBS50BRN#6](#) [29131](#) [29652](#) [1646905-1](#) [1648320-1](#) [1648582-1](#) [1650195-2](#)