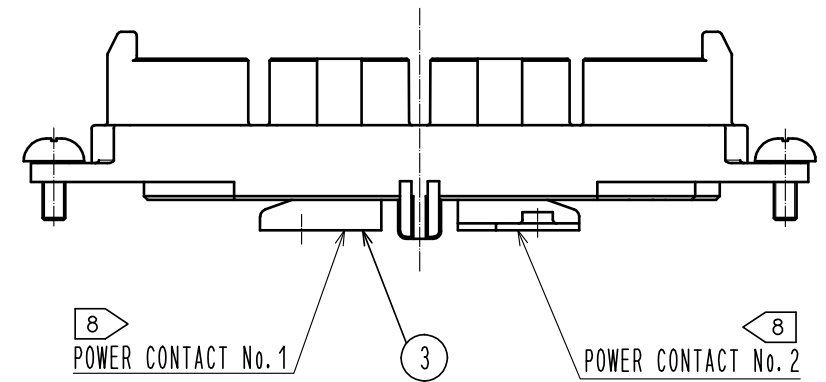
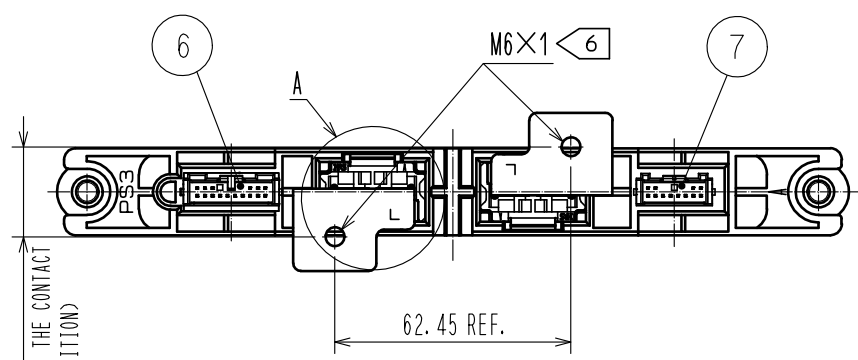
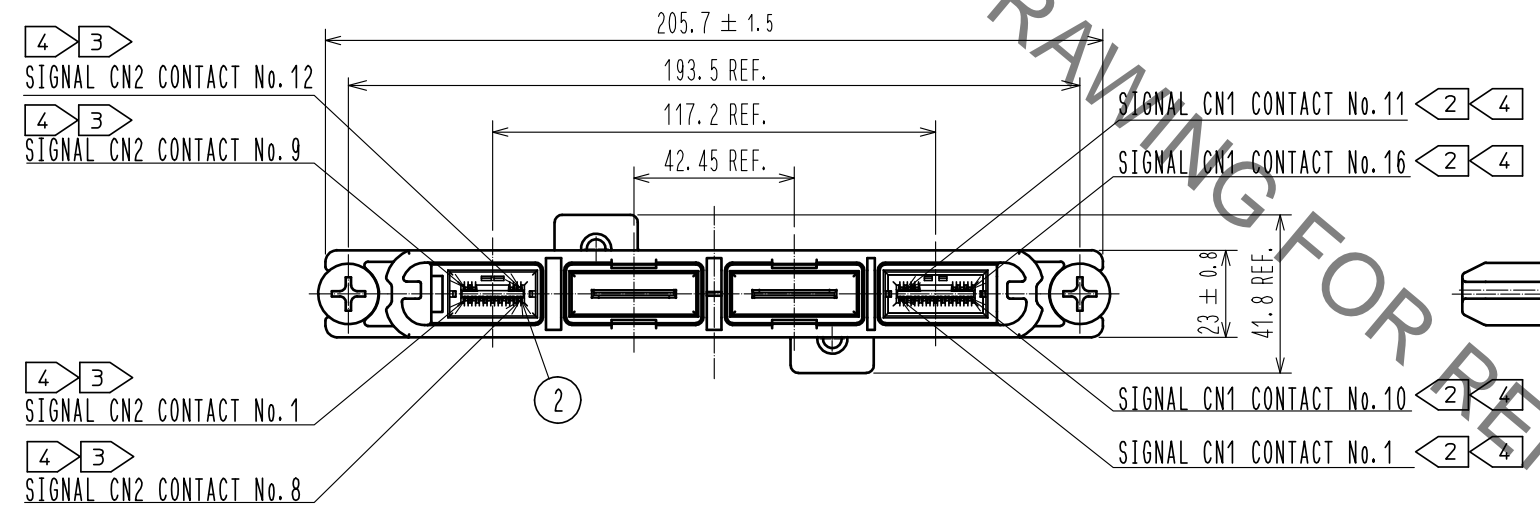
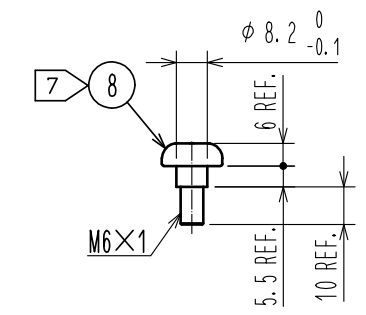
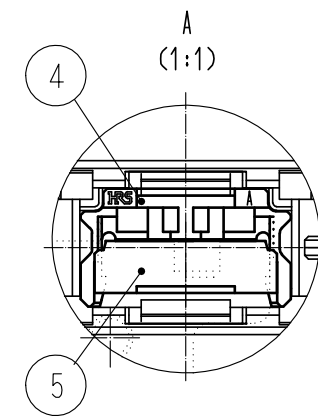
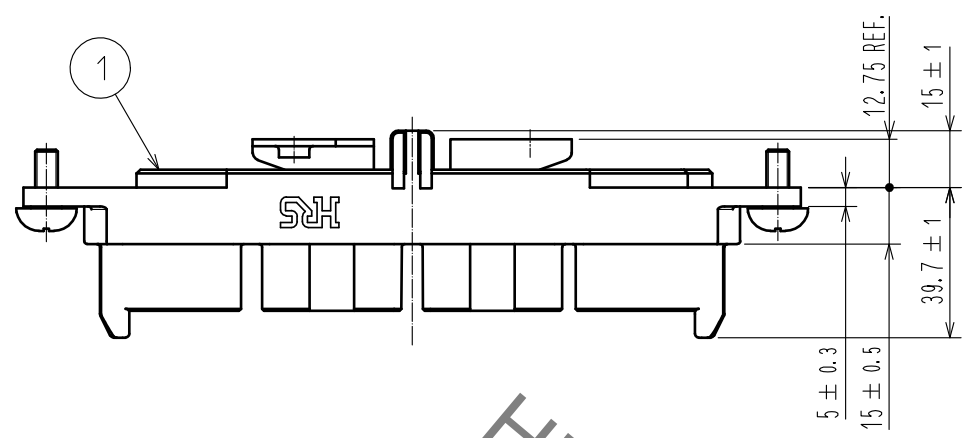


Sep.1.2021 Copyright 2021 HIROSE ELECTRIC CO., LTD. All Rights Reserved.
In case of consideration for using Automotive equipment / device which demand high reliability, kindly contact our sales window correspondents.

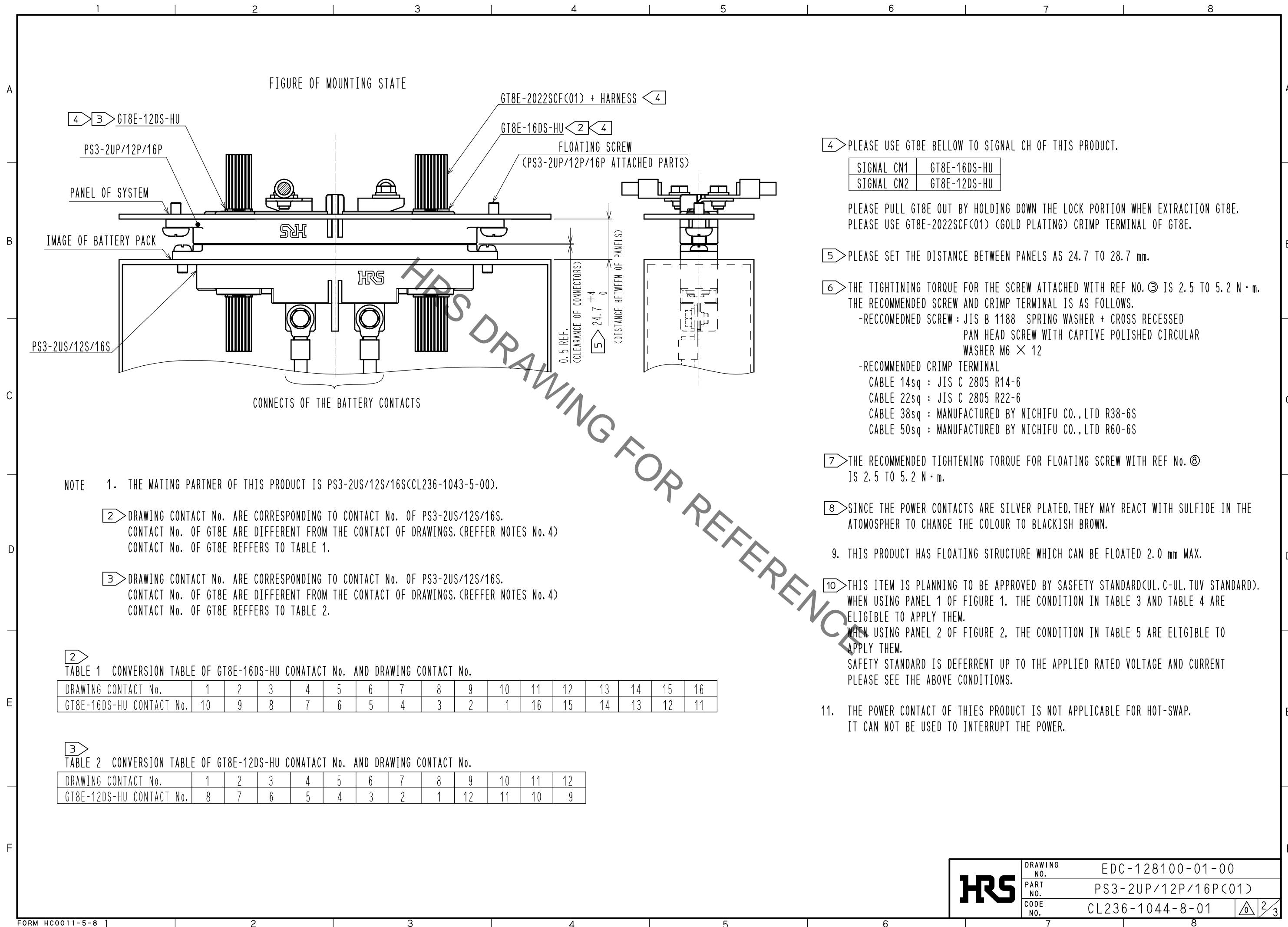


NO.	MATERIAL	FINISH .	REMARKS	NO.	MATERIAL	FINISH .	REMARKS
4	PBT	BLACK.	UL94V-0	8	STEEL	NICKEL PLATING 2 μm MIN.	
3	COPPER ALLOY	SILVER PLATING 3 μm MIN.		7	PBT	BLACK.	UL94V-0
2	COPPER ALLOY	GOLD PLATING 0.2 μm MIN.		6	PBT	BLACK.	UL94V-0
1	PBT	BLACK.	UL94V-0	5	PBT	BLACK.	UL94V-0

UNITS	SCALE	COUNT	DESCRIPTION OF REVISIONS	DESIGNED	CHECKED	DATE
mm	1 : 2	△				
APPROVED : NM. NISHIMATSU			15.07.30	DRAWING NO. EDC-128100-01-00		
CHECKED : NM. NISHIMATSU			15.07.30	PART NO. PS3-2UP/12P/16P(01)		
DESIGNED : MO. SHIMOYAMA			15.07.29	CODE NO. CL236-1044-8-01		
DRAWN : MO. SHIMOYAMA			15.07.29	1/3		

HRS DRAWING FOR REFERENCE

Sep.1.2021 Copyright 2021 HIROSE ELECTRIC CO., LTD. All Rights Reserved.
In case of consideration for using Automotive equipment / device which demand high reliability, kindly contact our sales window correspondents.



- ④ PLEASE USE GT8E BELLOW TO SIGNAL CH OF THIS PRODUCT.
- | | |
|------------|--------------|
| SIGNAL CN1 | GT8E-16DS-HU |
| SIGNAL CN2 | GT8E-12DS-HU |
- PLEASE PULL GT8E OUT BY HOLDING DOWN THE LOCK PORTION WHEN EXTRACTION GT8E.
PLEASE USE GT8E-2022SCF(C01) (GOLD PLATING) CRIMP TERMINAL OF GT8E.
- ⑤ PLEASE SET THE DISTANCE BETWEEN PANELS AS 24.7 TO 28.7 mm.
- ⑥ THE TIGHTENING TORQUE FOR THE SCREW ATTACHED WITH REF NO. ③ IS 2.5 TO 5.2 N · m.
THE RECOMMENDED SCREW AND CRIMP TERMINAL IS AS FOLLOWS.
-RECCOMENDNED SCREW : JIS B 1188 SPRING WASHER + CROSS RECESSED PAN HEAD SCREW WITH CAPTIVE POLISHED CIRCULAR WASHER M6 × 12
-RECOMMENDED CRIMP TERMINAL
CABLE 14sq : JIS C 2805 R14-6
CABLE 22sq : JIS C 2805 R22-6
CABLE 38sq : MANUFACTURED BY NICHIFU CO.,LTD R38-6S
CABLE 50sq : MANUFACTURED BY NICHIFU CO.,LTD R60-6S
- ⑦ THE RECOMMENDED TIGHTENING TORQUE FOR FLOATING SCREW WITH REF No. ⑧ IS 2.5 TO 5.2 N · m.
- ⑧ SINCE THE POWER CONTACTS ARE SILVER PLATED, THEY MAY REACT WITH SULFIDE IN THE ATOMOSPHER TO CHANGE THE COLOUR TO BLACKISH BROWN.
9. THIS PRODUCT HAS FLOATING STRUCTURE WHICH CAN BE FLOATED 2.0 mm MAX.
- ⑩ THIS ITEM IS PLANNING TO BE APPROVED BY SASFETY STANDARD(CUL, C-UL, TUV STANDARD).
WHEN USING PANEL 1 OF FIGURE 1, THE CONDITION IN TABLE 3 AND TABLE 4 ARE ELIGIBLE TO APPLY THEM.
WHEN USING PANEL 2 OF FIGURE 2, THE CONDITION IN TABLE 5 ARE ELIGIBLE TO APPLY THEM.
SAFETY STANDARD IS DEFERRENT UP TO THE APPLIED RATED VOLTAGE AND CURRENT PLEASE SEE THE ABOVE CONDITIONS.
11. THE POWER CONTACT OF THIES PRODUCT IS NOT APPLICABLE FOR HOT-SWAP.
IT CAN NOT BE USED TO INTERRUPT THE POWER.

- NOTE 1. THE MATING PARTNER OF THIS PRODUCT IS PS3-2US/12S/16S(CL236-1043-5-00).
- ② DRAWING CONTACT No. ARE CORRESPONDING TO CONTACT No. OF PS3-2US/12S/16S.
CONTACT No. OF GT8E ARE DIFFERENT FROM THE CONTACT OF DRAWINGS. (REFFER NOTES No. 4)
CONTACT No. OF GT8E REFFERS TO TABLE 1.
- ③ DRAWING CONTACT No. ARE CORRESPONDING TO CONTACT No. OF PS3-2US/12S/16S.
CONTACT No. OF GT8E ARE DIFFERENT FROM THE CONTACT OF DRAWINGS. (REFFER NOTES No. 4)
CONTACT No. OF GT8E REFFERS TO TABLE 2.

②

TABLE 1 CONVERSION TABLE OF GT8E-16DS-HU CONACTACT No. AND DRAWING CONTACT No.

DRAWING CONTACT No.	1	2	3	4	5	6	7	8	9	10	11	12	13	14	15	16
GT8E-16DS-HU CONTACT No.	10	9	8	7	6	5	4	3	2	1	16	15	14	13	12	11

③

TABLE 2 CONVERSION TABLE OF GT8E-12DS-HU CONACTACT No. AND DRAWING CONTACT No.

DRAWING CONTACT No.	1	2	3	4	5	6	7	8	9	10	11	12
GT8E-12DS-HU CONTACT No.	8	7	6	5	4	3	2	1	12	11	10	9

HRS	DRAWING NO.	EDC-128100-01-00
	PART NO.	PS3-2UP/12P/16P(C01)
	CODE NO.	CL236-1044-8-01

X-ON Electronics

Largest Supplier of Electrical and Electronic Components

Click to view similar products for [Heavy Duty Power Connectors](#) category:

Click to view products by [Hirose](#) manufacturer:

Other Similar products are found below :

[647757-1](#) [6643411-1](#) [6646058-2](#) [6646137-1](#) [6646138-1](#) [6646479-1](#) [6646608-1](#) [6646786-1](#) [6646940-1](#) [6651091-1](#) [6651525-1](#) [6651529-1](#)
[6651788-1](#) [696475-1](#) [73000005059](#) [73000005642](#) [765-15-0080A](#) [765-16-0080B](#) [829992-1](#) [902-77-02113](#) [129-1J](#) [AN0024023](#) [E6374G1](#)
[e6389g2](#) [157-43GW8](#) [MS3117-14AC](#) [1643543-1](#) [1650540-1](#) [1651811-2](#) [1766260-1](#) [1766282-1](#) [1766966-1](#) [1791340000](#) [NLDFT-3-BL-L-](#)
[S120-M40A](#) [NLDFT-N-W-L-C240-M40B](#) [NLS-2-R-C240-M40B](#) [NLS-N-W-C240-M40B](#) [NPS-3-BL-T6](#) [1986615-1](#) [2-1589900-8](#) [2199314-1](#)
[KA8102](#) [9300480317](#) [SBS50BRN#6](#) [29131](#) [29652](#) [1646905-1](#) [1648320-1](#) [1648582-1](#) [1650195-2](#)