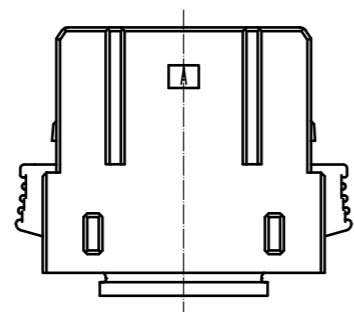
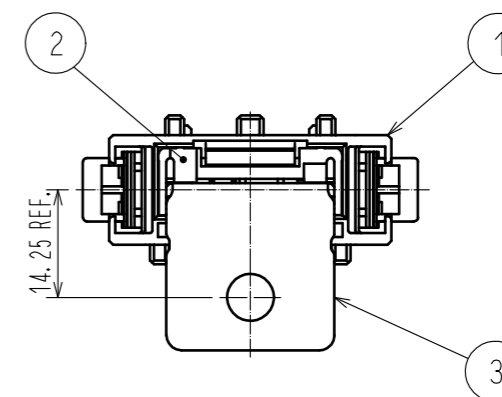
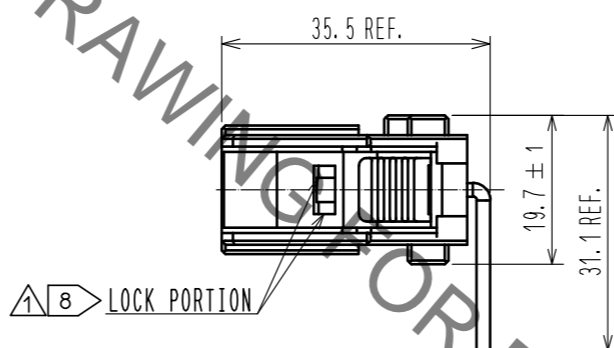
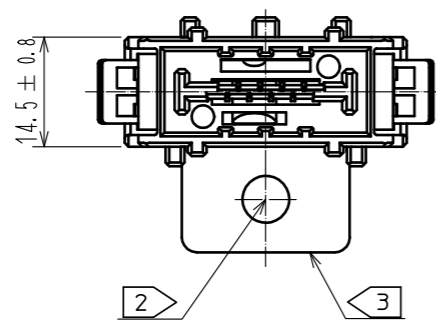
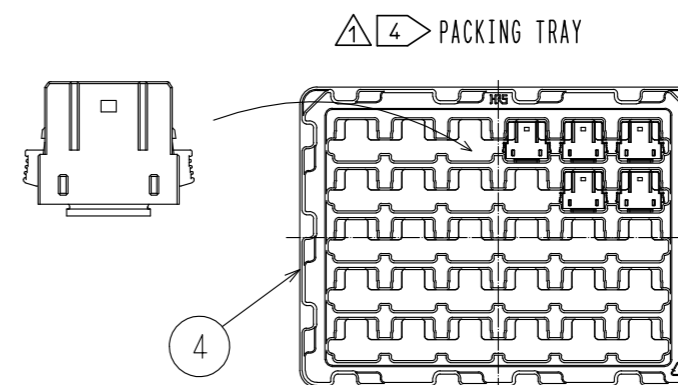
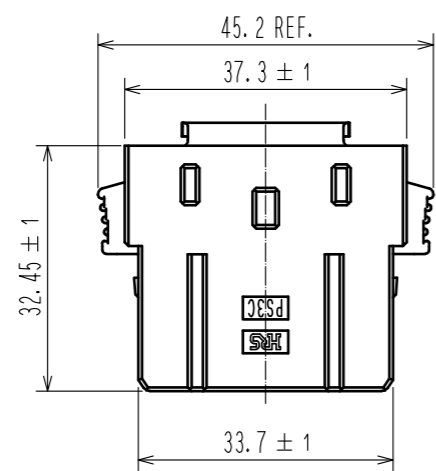


Sep.1.2021 Copyright 2021 HIROSE ELECTRIC CO., LTD. All Rights Reserved.
 In case of consideration for using Automotive equipment / device which demand high reliability, kindly contact our sales window correspondents.



HRS DRAWING FOR REFERENCE

2	PBT	BLACK	UL94V-0	4	PP	
1	PBT	BLACK	UL94V-0	3	COPPER	SILVER PLATING 3μm MIN
NO.	MATERIAL	FINISH . REMARKS		NO.	MATERIAL	FINISH . REMARKS
UNITS mm		SCALE 1 : 1	COUNT 4	DESCRIPTION OF REVISIONS DIS-E-00000029		DESIGNED WR. YAMADA
		APPROVED : NM. NISHIMATSU	14. 07. 23	DRAWING NO. EDC3-128554-00		
HIROSE ELECTRIC CO., LTD.		CHECKED : NM. NISHIMATSU	14. 07. 23	PART NO. PS3C-A-1UP		
		DESIGNED : WR. YAMADA	14. 07. 22	CODE NO. CL236-1064-5-00		
		DRAWN : WR. YAMADA	14. 07. 22			1/2
				DATE	CHECKED	15. 02. 19

Sep.1.2021 Copyright 2021 HIROSE ELECTRIC CO., LTD. All Rights Reserved.
In case of consideration for using Automotive equipment / device which demand high reliability, kindly contact our sales window correspondents.

6 CONDITION OF SAFETY STANDARD(CUL, C-UL, TUV STANDARD)

6
TABLE 1. UL, C-UL CONDITION

	CONDITION 1	CONDITION 2
CURRENT VOLTAGE(AC/DC)	600V	
CURRENT RATING	100A	150A
CABLE	14 TO 22sq(※1)	38 TO 50sq(※1)
CREEPAGE DISTANCE(※2)	MIN:3.2mm	
CLEARANCE DISTANCE(※2)	MIN:3.2mm	

6
TABLE 2. TUV CONDITION

	CONDITION I	CONDITION II	CONDITION III
CURRENT VOLTAGE(AC/DC)	800V	600V	1000V
CURRENT RATING	100A(CABLE 14 TO 22sq ※1) 125A(CABLE 38sq ※1) 150A(CABLE 50sq ※1)		
OVER VOLTAGE CATEGORY	II	III	
POLLUTION DEGREE	3		
CREEPAGE DISTANCE(※2)	MIN:12.6mm	MIN:12.6mm	MIN:16mm
CLEARANCE DISTANCE(※2)	MIN:6mm	MIN:6mm	MIN:8mm
INSULATION SYSTEM	BASIC INSULATION(PANEL HAS THE EARTH)		

※1 : AS SCREWS AND CRIMP TERMINAL ATTACHED WITH POWER CONTACT HAVE AN IMPACT ON THE CREEPAGE DISTANCE AND THE CLEARANCE DISTANCE. PLEASE USE RECOMMENDED SCREWS AND CRIMP TERMINALS. IN CASE YOU USE CABLES OTHER THAN FOLLOWING RECOMMENDED SCREWS AND CONTACTS, PLEASE BE CAREFUL THAT THE CREEPAGE DISTANCE AND THE CLEARANCE DISTANCE MEET THE STANDARD OF UL, C-UL, TUV.

※2 : THE COVERAGE OF THE CREEPAGE DISTANCE AND THE CLEARANCE DISTANCE IS AS FOLLOWS.
 -BETWEEN PLUS POWER SUPPLY CONTACT AND MINUS POWER SUPPLY CONTACT
 -BETWEEN PLUS CRIMP TERMINAL AND MINUS CRIMP TERMINAL
 -BETWEEN POWER CONTACT AND PANEL
 -BETWEEN CRIMP TERMINAL AND PANEL
 -BETWEEN SCREWS (ATTACHED WITH POWER CONTACT) AND PANEL

NOTE 1. THE MATING PARTNER OF THIS PRODUCT IS PS3C-A-1US(CL236-1062-0-00).

2 PLEASE USE M6 SCREW AND NUT FOR MOUNTING REF NO. ③ AND THE CRIMP TERMINAL. THE RECOMMENDED SCREW AND CRIMP TERMINAL IS AS FOLLOWS.

<SET1>
 -RECOMMENDED SCREW : JIS B 1188 SPRING WASHER + CROSS RECESSED PAN HEAD SCREW WITH CAPTIVE POLISHED CIRCULAR WASHER M6 X 12
 -RECOMMENDED NUT : JIS B 1181 M6 STYLE 1

<SET2>
 -RECOMMENDED HEXAGON HEAD SCREW : JIS B 1180 HEXAGON HEAD SCREW M6 X 14
 -RECOMMENDED NUT : HARD LOCK INDUSTRY CO., LTD. HLN-R M6

<RECOMMENDED CRIMP TERMINAL>
 CABLE 14sq : JIS C 2805 R14-6
 CABLE 22sq : JIS C 2805 R22-6
 CABLE 38sq : MANUFACTURED BY NICHIFU CO., LTD R38-6S
 CABLE 50sq : MANUFACTURED BY NICHIFU CO., LTD R60-6S

3 SINCE THE POWER CONTACTS ARE SILVER PLATED, THEY MAY REACT WITH SULFIDE IN THE ATMOSPHERE TO CHANGE THE COLOUR TO BLACKISH BROWN.

4 THE SALES UNIT IS ONE PIECE AND ONE BOX IS 60 PIECES. PLEASE YOUR ORDER IN UNIT OF 60 PIECES. PLEASE REFER ETAP-E3129.

5. THIS PRODUCT IS RECOMMENDED THE COVER 'PS3C-1UP-CVL(236-1066-0-00)' THAT COVERS THE POWER SUPPLY TERMINAL FOR THE SAFETY. IF THE COVER IS NOT BE USED, PLEASE PREPARE THE SHRINK TUBE OR LIKE COVERING THE POWER SUPPLY TERMINAL.

6 THIS ITEM IS PLANNING TO BE APPROVED BY SASFETY STANDARD(CUL, C-UL, TUV STANDARD) UNDER THE CONDITION OF TABLE 1 AND TABLE 2 SAFETY STANDARD IS DEFERENT UP TO THE APPLIED RATED VOLTAGE AND CURRENT PLEASE SEE THE TABLE 1 AND TABLE 2.

7. THE POWER CONTACT OF THIES PRODUCT IS NOT APPLICABLE FOR HOT-SWAP. IT CAN NOT BE USED TO INTERRUPT THE POWER.

8 PLEASE MAKE SURE THE LOCK PORTION AND MATING COMPLETELY WITH PS3C-A-1US.

HRS	DRAWING NO.	EDC3-128554-00
	PART NO.	PS3C-A-1UP
	CODE NO.	CL236-1064-5-00

① 2/2

X-ON Electronics

Largest Supplier of Electrical and Electronic Components

Click to view similar products for [Heavy Duty Power Connectors](#) category:

Click to view products by [Hirose](#) manufacturer:

Other Similar products are found below :

[647757-1](#) [6643411-1](#) [6646058-2](#) [6646137-1](#) [6646138-1](#) [6646479-1](#) [6646608-1](#) [6646786-1](#) [6646940-1](#) [6651091-1](#) [6651525-1](#) [6651529-1](#)
[6651788-1](#) [696475-1](#) [73000005059](#) [73000005642](#) [765-15-0080A](#) [765-16-0080B](#) [829992-1](#) [902-77-02113](#) [129-1J](#) [AN0024023](#) [E6374G1](#)
[e6389g2](#) [157-43GW8](#) [MS3117-14AC](#) [1643543-1](#) [1650540-1](#) [1651811-2](#) [1766260-1](#) [1766282-1](#) [1766966-1](#) [1791340000](#) [NLDFT-3-BL-L-](#)
[S120-M40A](#) [NLDFT-N-W-L-C240-M40B](#) [NLS-2-R-C240-M40B](#) [NLS-N-W-C240-M40B](#) [NPS-3-BL-T6](#) [1986615-1](#) [2-1589900-8](#) [2199314-1](#)
[KA8102](#) [9300480317](#) [SBS50BRN#6](#) [29131](#) [29652](#) [1646905-1](#) [1648320-1](#) [1648582-1](#) [1650195-2](#)