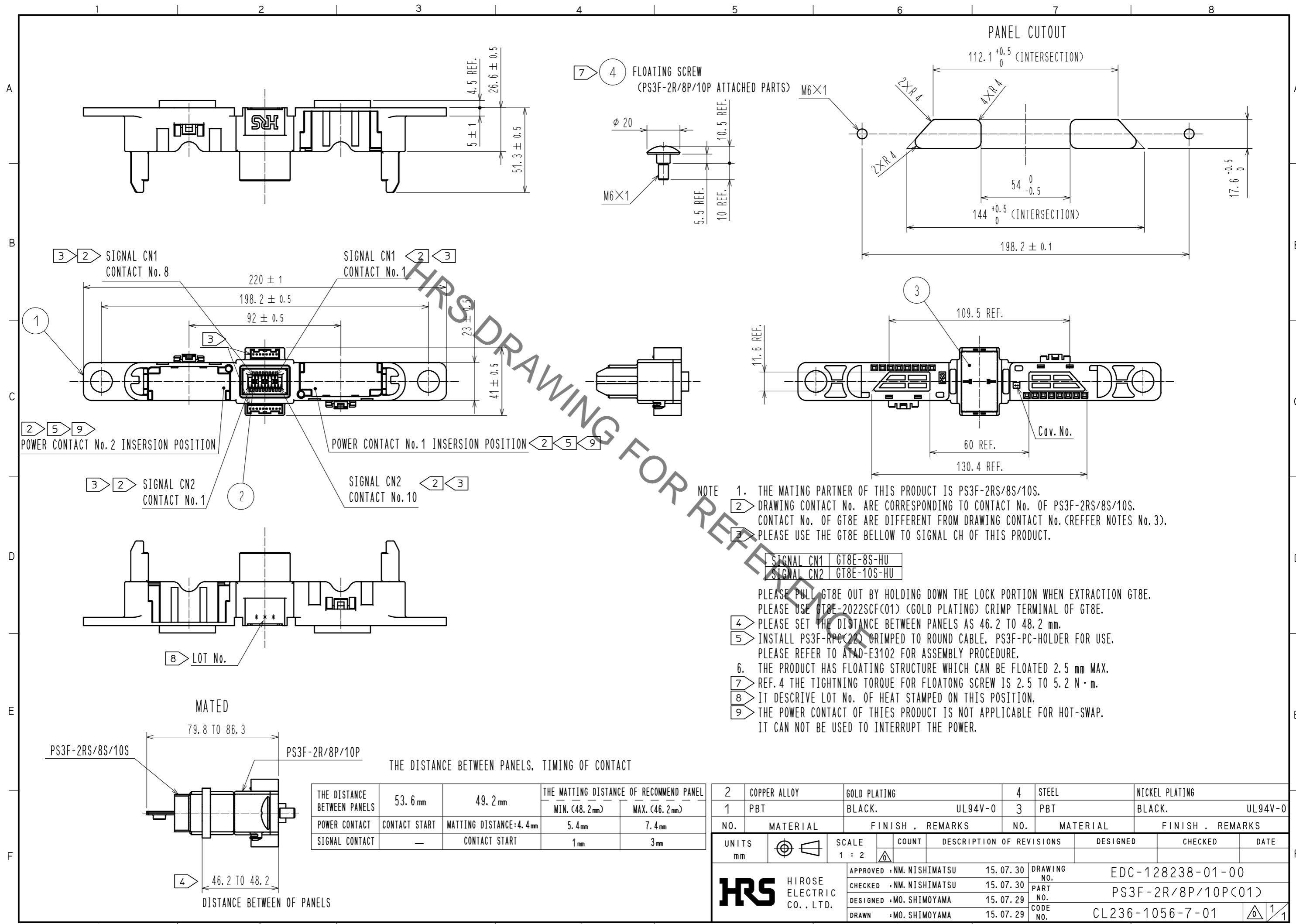


Sep.1.2021 Copyright 2021 HIROSE ELECTRIC CO., LTD. All Rights Reserved.  
In case of consideration for using Automotive equipment / device which demand high reliability, kindly contact our sales window correspondents.



THE DISTANCE BETWEEN PANELS, TIMING OF CONTACT

THE DISTANCE BETWEEN PANELS	53.6 mm	49.2 mm	THE MATTING DISTANCE OF RECOMMEND PANEL	
			MIN. (48.2 mm)	MAX. (46.2 mm)
POWER CONTACT	CONTACT START	MATTING DISTANCE: 4.4 mm	5.4 mm	7.4 mm
SIGNAL CONTACT	—	CONTACT START	1 mm	3 mm

2	COPPER ALLOY	GOLD PLATING	4	STEEL	NICKEL PLATING				
1	PBT	BLACK.	3	PBT	BLACK. UL94V-0				
NO.	MATERIAL	FINISH .	REMARKS	NO.	MATERIAL	FINISH .	REMARKS		
UNITS	mm	SCALE	1 : 2	COUNT	DESCRIPTION OF REVISIONS		DESIGNED	CHECKED	DATE
<b>HRS</b> HIROSE ELECTRIC CO., LTD.		APPROVED	: NM. NISHIMATSU	15.07.30	DRAWING NO.		EDC-128238-01-00		
		CHECKED	: NM. NISHIMATSU	15.07.30	PART NO.		PS3F-2R/8P/10P(C01)		
		DESIGNED	: MO. SHIMOYAMA	15.07.29	CODE NO.		CL236-1056-7-01		
		DRAWN	: MO. SHIMOYAMA	15.07.29					

## X-ON Electronics

Largest Supplier of Electrical and Electronic Components

*Click to view similar products for [Heavy Duty Power Connectors](#) category:*

*Click to view products by [Hirose](#) manufacturer:*

Other Similar products are found below :

[647757-1](#) [6643411-1](#) [6646058-2](#) [6646137-1](#) [6646138-1](#) [6646479-1](#) [6646608-1](#) [6646786-1](#) [6646940-1](#) [6651091-1](#) [6651525-1](#) [6651529-1](#)  
[6651788-1](#) [696475-1](#) [73000005059](#) [73000005642](#) [765-15-0080A](#) [765-16-0080B](#) [829992-1](#) [902-77-02113](#) [129-1J](#) [AN0024023](#) [E6374G1](#)  
[e6389g2](#) [157-43GW8](#) [MS3117-14AC](#) [1643543-1](#) [1650540-1](#) [1651811-2](#) [1766260-1](#) [1766282-1](#) [1766966-1](#) [1791340000](#) [NLDFT-3-BL-L-](#)  
[S120-M40A](#) [NLDFT-N-W-L-C240-M40B](#) [NLS-2-R-C240-M40B](#) [NLS-N-W-C240-M40B](#) [NPS-3-BL-T6](#) [1986615-1](#) [2-1589900-8](#) [2199314-1](#)  
[KA8102](#) [9300480317](#) [SBS50BRN#6](#) [29131](#) [29652](#) [1646905-1](#) [1648320-1](#) [1648582-1](#) [1650195-2](#)