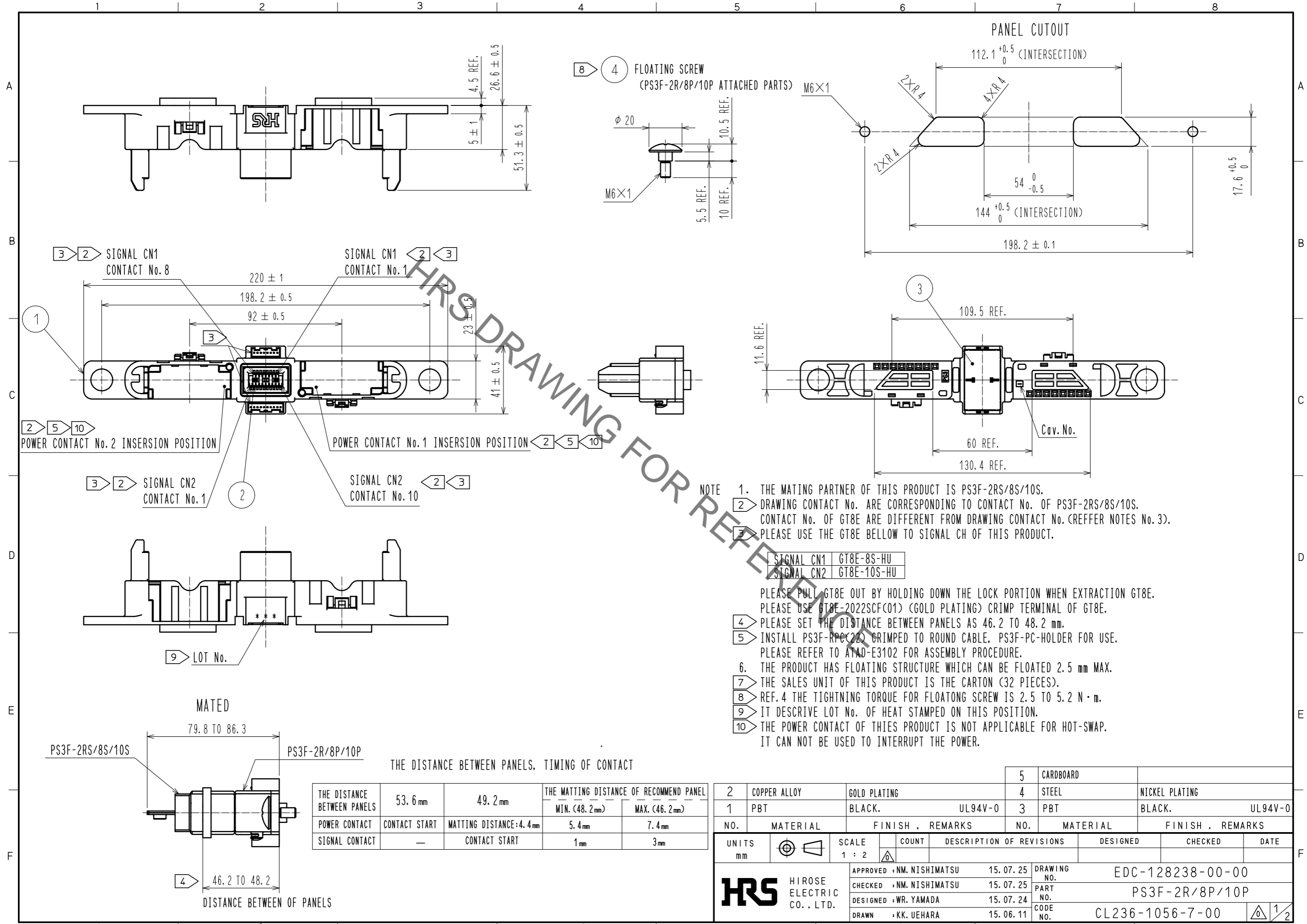


Sep.1.2021 Copyright 2021 HIROSE ELECTRIC CO., LTD. All Rights Reserved.
In case of consideration for using Automotive equipment / device which demand high reliability, kindly contact our sales window correspondents.



NOTE

1. THE MATING PARTNER OF THIS PRODUCT IS PS3F-2RS/8S/10S.
2. DRAWING CONTACT No. ARE CORRESPONDING TO CONTACT No. OF PS3F-2RS/8S/10S. CONTACT No. OF GT8E ARE DIFFERENT FROM DRAWING CONTACT No. (REFER NOTES No. 3).
3. PLEASE USE THE GT8E BELOW TO SIGNAL CH OF THIS PRODUCT.

SIGNAL CN1	GT8E-8S-HU
SIGNAL CN2	GT8E-10S-HU

PLEASE PULL GT8E OUT BY HOLDING DOWN THE LOCK PORTION WHEN EXTRACTION GT8E.
 PLEASE USE GT8E-2022SCF(C01) (GOLD PLATING) CRIMP TERMINAL OF GT8E.

4. PLEASE SET THE DISTANCE BETWEEN PANELS AS 46.2 TO 48.2 mm.
5. INSTALL PS3F-RPC(C2) CRIMPED TO ROUND CABLE, PS3F-PC-HOLDER FOR USE. PLEASE REFER TO ATAD-E3102 FOR ASSEMBLY PROCEDURE.
6. THE PRODUCT HAS FLOATING STRUCTURE WHICH CAN BE FLOATED 2.5 mm MAX.
7. THE SALES UNIT OF THIS PRODUCT IS THE CARTON (32 PIECES).
8. REF. 4 THE TIGHTNING TORQUE FOR FLOATONG SCREW IS 2.5 TO 5.2 N · m.
9. IT DESCRIBE LOT No. OF HEAT STAMPED ON THIS POSITION.
10. THE POWER CONTACT OF THIES PRODUCT IS NOT APPLICABLE FOR HOT-SWAP. IT CAN NOT BE USED TO INTERRUPT THE POWER.

THE DISTANCE BETWEEN PANELS, TIMING OF CONTACT

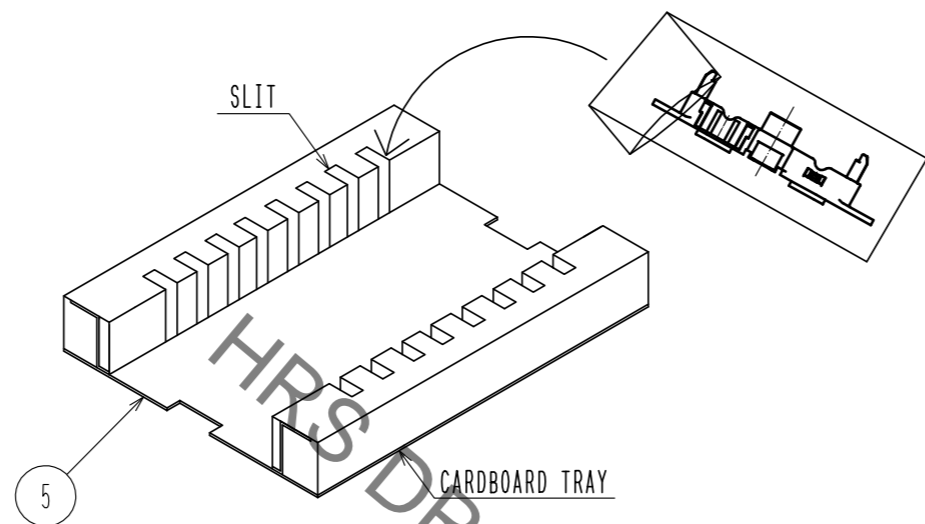
THE DISTANCE BETWEEN PANELS	53.6mm	49.2mm	THE MATTING DISTANCE OF RECOMMEND PANEL	
			MIN. (48.2mm)	MAX. (46.2mm)
POWER CONTACT	CONTACT START	MATTING DISTANCE:4.4mm	5.4mm	7.4mm
SIGNAL CONTACT	—	CONTACT START	1mm	3mm

2	COPPER ALLOY	GOLD PLATING	5	CARDBOARD				
1	PBT	BLACK.	4	STEEL				
		UL94V-0	3	PBT				
				BLACK.				
				UL94V-0				
NO.	MATERIAL	FINISH .	REMARKS	NO.	MATERIAL	FINISH .	REMARKS	
UNITS	mm	SCALE	1 : 2	COUNT	DESCRIPTION OF REVISIONS	DESIGNED	CHECKED	DATE
HRS HIROSE ELECTRIC CO., LTD.		APPROVED	: NM. NISHIMATSU	15.07.25	DRAWING NO.	EDC-128238-00-00		
		CHECKED	: NM. NISHIMATSU	15.07.25	PART NO.	PS3F-2R/8P/10P		
		DESIGNED	: WR. YAMADA	15.07.24	CODE NO.	CL236-1056-7-00		
		DRAWN	: KK. UEHARA	15.06.11				

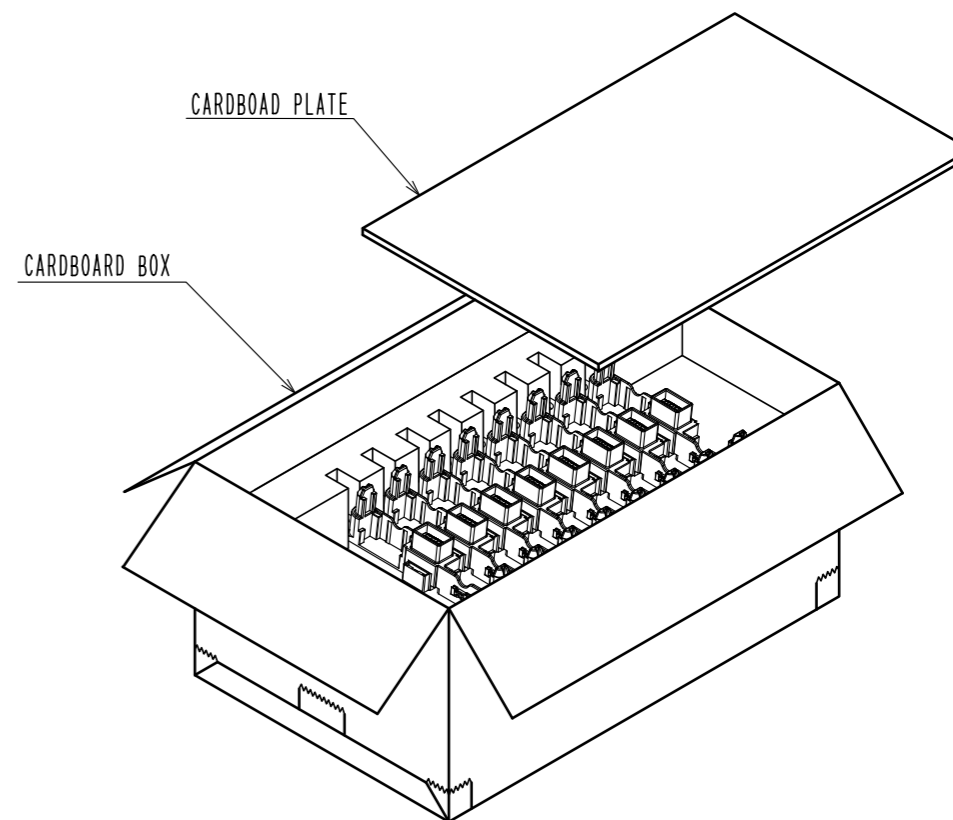
Sep.1.2021 Copyright 2021 HIROSE ELECTRIC CO., LTD. All Rights Reserved.
In case of consideration for using Automotive equipment / device which demand high reliability, kindly contact our sales window correspondents.

7 DRAWING FOR PACKING(FREE)

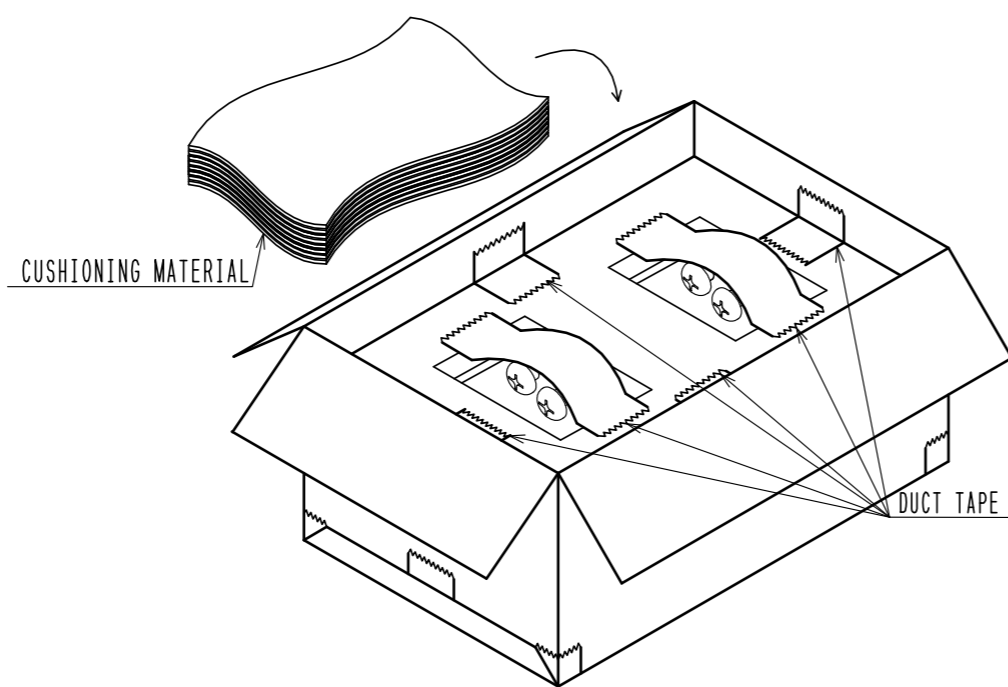
1. PUT THE PRODUCT IN VINYL BAGS, EXCESS PORTION OF VINYL BAGS IS FOLDED. IT PLUGGED INTO THE SLIT OF THE CARDBOARD TRAY. (8 PIECES PER 1 TRAY)



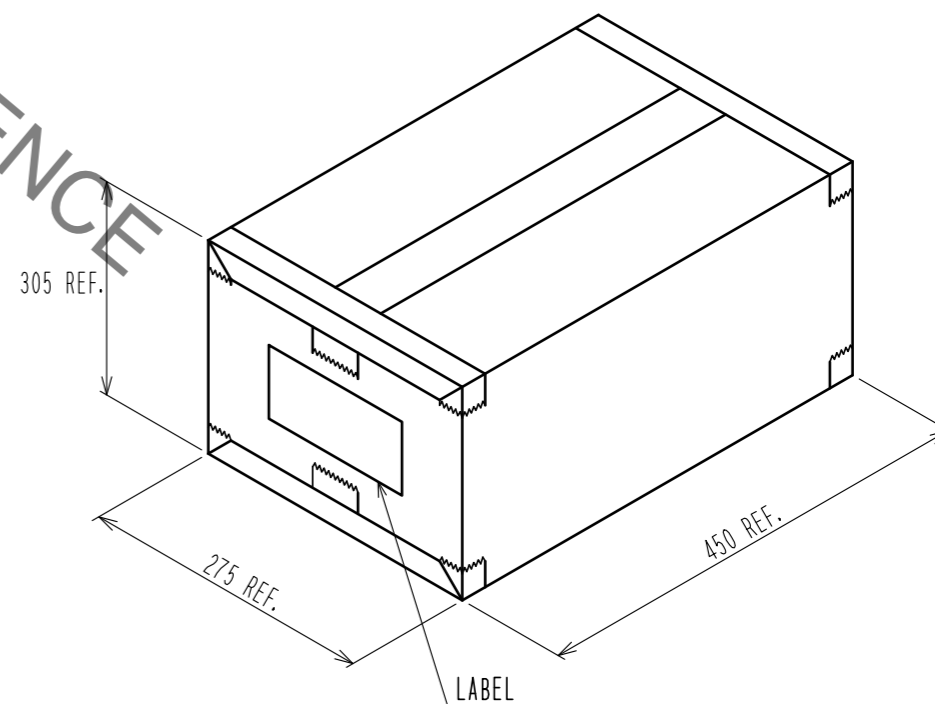
2. PUT IT ON TOP OF THE CARDBOARD TRAY ACCOMMODATING THE PRODUCTS (K26) IN FOUR STAGES, IT COVERED THE CARDBOARD PLATE ON IT. (8 PIECES × 4-STAGE = 32 PIECES PER 1 BOX)



3. FIX THE CARDBOARD BOX AND POSITION PLATE IN DUCT TAPE. PUT THE FLOATING SCREW IN VINYL BAGS AND IS FIXED BY DUCT TAPE IN CARDBOARD PLATE. THE CARDBOARD PLATE IS PLACED IN A VINYL BAG (32 PIECES × 2-STAGE = 64 PIECES PER 1 BOX). PUT THE CUSHIONING MATERIAL ON TOP OF THE CARDBOARD PLATE.



4. CLOSE THE CARDBOARD BOX AND FIX DUCT TAPE. PASTE LABEL ON THE SIDE OF THE CARDBOARD BOX.



HRS	DRAWING NO.	EDC-128238-00-00
	PART NO.	PS3F-2R/8P/10P
	CODE NO.	CL236-1056-7-00
		2/2

X-ON Electronics

Largest Supplier of Electrical and Electronic Components

Click to view similar products for [Heavy Duty Power Connectors](#) category:

Click to view products by [Hirose](#) manufacturer:

Other Similar products are found below :

[647757-1](#) [6643411-1](#) [6646058-2](#) [6646137-1](#) [6646138-1](#) [6646479-1](#) [6646608-1](#) [6646786-1](#) [6646940-1](#) [6651091-1](#) [6651525-1](#) [6651529-1](#)
[6651788-1](#) [696475-1](#) [702-32-01109](#) [703-25-02205](#) [73000005059](#) [73000005642](#) [765-15-0080A](#) [765-16-0080B](#) [765-18-0080D](#) [829992-1](#)
[902-77-02113](#) [PS00/A0620/6300](#) [129-1J](#) [1409400](#) [AN0024023](#) [E6374G1](#) [e6389g2](#) [157-43GW8](#) [MS3117-14AC](#) [1643543-1](#) [1650540-1](#)
[1651811-2](#) [1766260-1](#) [1766282-1](#) [1766966-1](#) [1791340000](#) [NLDFT-3-BL-L-S120-M40A](#) [NLDFT-N-W-L-C240-M40B](#) [NLS-2-R-C240-](#)
[M40B](#) [NLS-N-W-C240-M40B](#) [NPS-3-BL-T6](#) [1986615-1](#) [2-1589900-8](#) [2199314-1](#) [KA8102](#) [9300480317](#) [SBS50BRN#6](#) [29131](#)