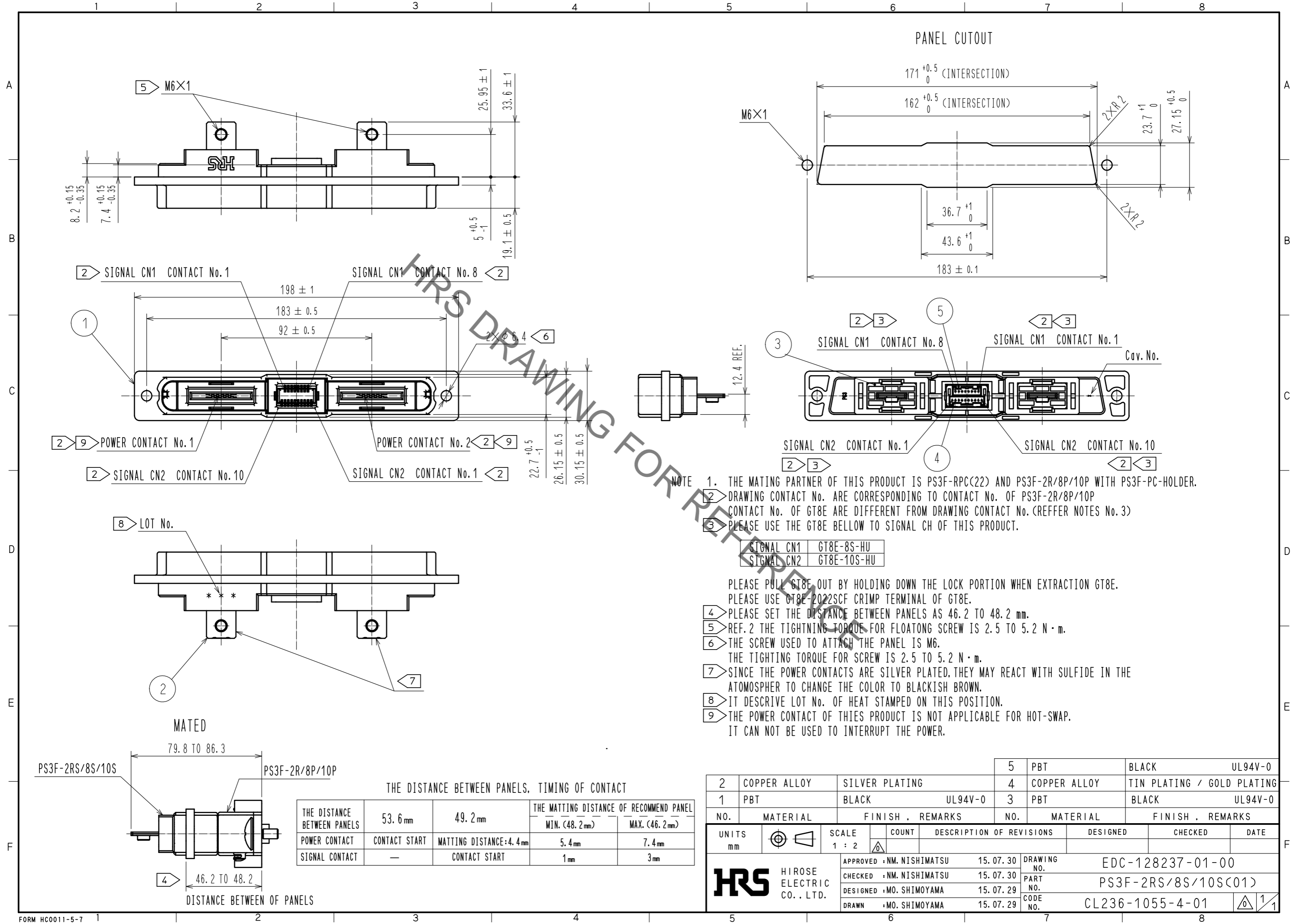


Sep.1.2021 Copyright 2021 HIROSE ELECTRIC CO., LTD. All Rights Reserved.
In case of consideration for using Automotive equipment / device which demand high reliability, kindly contact our sales window correspondents.



NOTE 1. THE MATING PARTNER OF THIS PRODUCT IS PS3F-RPC(22) AND PS3F-2R/8P/10P WITH PS3F-PC-HOLDER.
 2. DRAWING CONTACT No. ARE CORRESPONDING TO CONTACT No. OF PS3F-2R/8P/10P CONTACT No. OF GT8E ARE DIFFERENT FROM DRAWING CONTACT No. (REFER NOTES No.3)
 3. PLEASE USE THE GT8E BELOW TO SIGNAL CH OF THIS PRODUCT.

SIGNAL CN1	GT8E-8S-HU
SIGNAL CN2	GT8E-10S-HU

- PLEASE PULL GT8E OUT BY HOLDING DOWN THE LOCK PORTION WHEN EXTRACTION GT8E.
- PLEASE USE GT8E-2022SCF CRIMP TERMINAL OF GT8E.
- PLEASE SET THE DISTANCE BETWEEN PANELS AS 46.2 TO 48.2 mm.
- REF. 2 THE TIGHTNING TORQUE FOR FLOATING SCREW IS 2.5 TO 5.2 N · m.
- THE SCREW USED TO ATTACH THE PANEL IS M6.
- THE TIGHTNING TORQUE FOR SCREW IS 2.5 TO 5.2 N · m.
- SINCE THE POWER CONTACTS ARE SILVER PLATED, THEY MAY REACT WITH SULFIDE IN THE ATMOSPHER TO CHANGE THE COLOR TO BLACKISH BROWN.
- IT DESCRIBE LOT No. OF HEAT STAMPED ON THIS POSITION.
- THE POWER CONTACT OF THIS PRODUCT IS NOT APPLICABLE FOR HOT-SWAP. IT CAN NOT BE USED TO INTERRUPT THE POWER.

THE DISTANCE BETWEEN PANELS, TIMING OF CONTACT

THE DISTANCE BETWEEN PANELS	53.6mm	49.2mm	THE MATTING DISTANCE OF RECOMMEND PANEL	
			MIN. (48.2mm)	MAX. (46.2mm)
POWER CONTACT	CONTACT START	MATTING DISTANCE: 4.4mm	5.4mm	7.4mm
SIGNAL CONTACT	—	CONTACT START	1mm	3mm

2	COPPER ALLOY	SILVER PLATING	5	PBT	BLACK	UL94V-0
1	PBT	BLACK	4	COPPER ALLOY	TIN PLATING / GOLD PLATING	UL94V-0
NO.	MATERIAL	FINISH . REMARKS	NO.	MATERIAL	FINISH . REMARKS	UL94V-0
UNITS	mm	SCALE	1 : 2	COUNT	DESCRIPTION OF REVISIONS	DESIGNED
						CHECKED
						DATE
APPROVED : NM. NISHIMATSU			15.07.30		DRAWING NO. EDC-128237-01-00	
CHECKED : NM. NISHIMATSU			15.07.30		PART NO. PS3F-2RS/8S/10S(01)	
DESIGNED : MO. SHIMOYAMA			15.07.29		CODE NO. CL236-1055-4-01	
DRAWN : MO. SHIMOYAMA			15.07.29		1/1	

X-ON Electronics

Largest Supplier of Electrical and Electronic Components

Click to view similar products for [Heavy Duty Power Connectors](#) category:

Click to view products by [Hirose](#) manufacturer:

Other Similar products are found below :

[647757-1](#) [6643411-1](#) [6646058-2](#) [6646137-1](#) [6646138-1](#) [6646479-1](#) [6646608-1](#) [6646786-1](#) [6646940-1](#) [6651091-1](#) [6651525-1](#) [6651529-1](#)
[6651788-1](#) [696475-1](#) [702-32-01109](#) [703-25-02205](#) [73000005059](#) [73000005642](#) [765-15-0080A](#) [765-16-0080B](#) [765-18-0080D](#) [829992-1](#)
[902-77-02113](#) [PS00/A0620/6300](#) [129-1J](#) [1409400](#) [AN0024023](#) [E6374G1](#) [e6389g2](#) [157-43GW8](#) [MS3117-14AC](#) [1643543-1](#) [1650540-1](#)
[1651811-2](#) [1766260-1](#) [1766282-1](#) [1766966-1](#) [1791340000](#) [NLDFT-3-BL-L-S120-M40A](#) [NLDFT-N-W-L-C240-M40B](#) [NLS-2-R-C240-](#)
[M40B](#) [NLS-N-W-C240-M40B](#) [NPS-3-BL-T6](#) [1986615-1](#) [2-1589900-8](#) [2199314-1](#) [KA8102](#) [9300480317](#) [SBS50BRN#6](#) [29131](#)