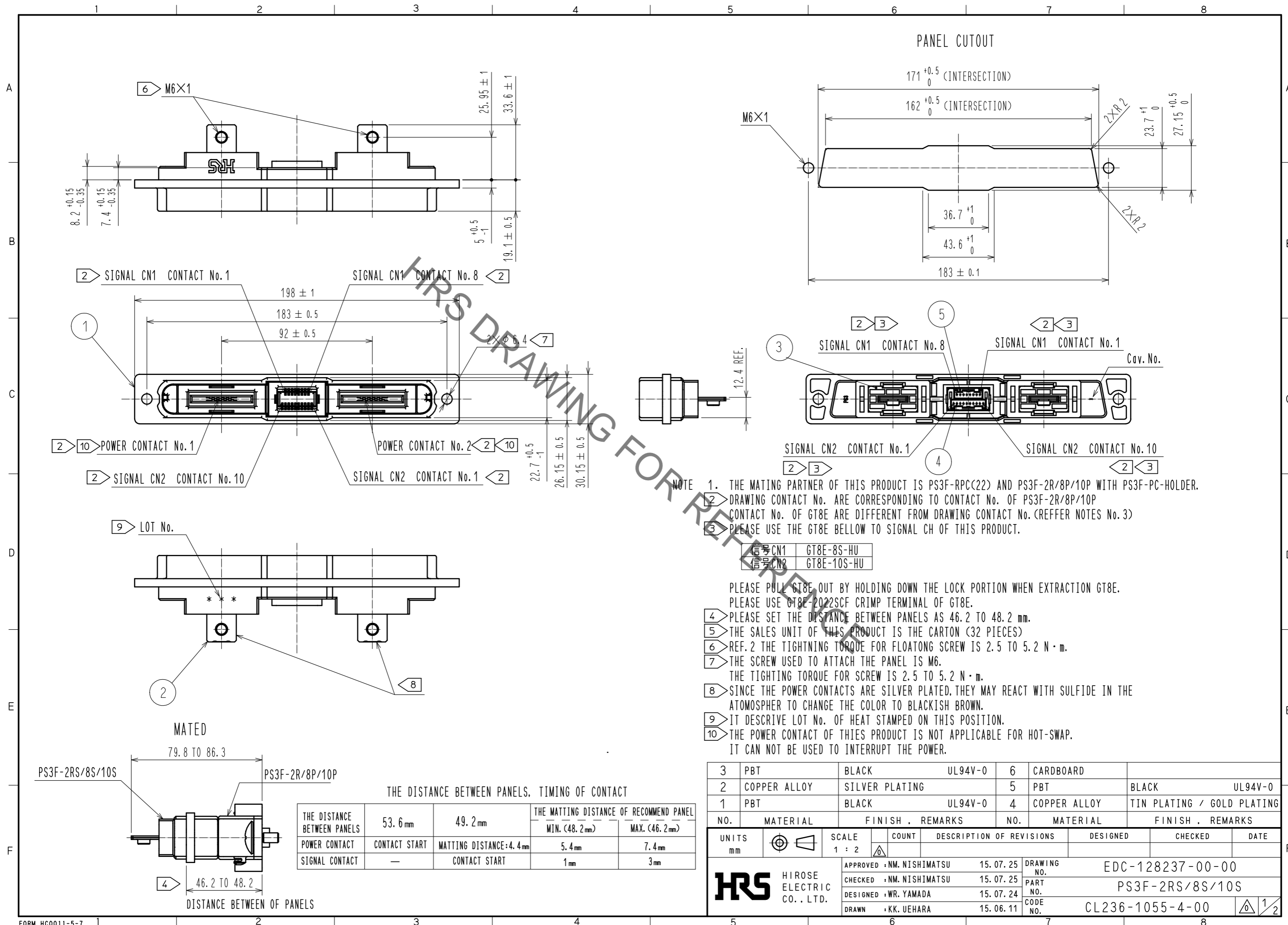


Sep.1.2021 Copyright 2021 HIROSE ELECTRIC CO., LTD. All Rights Reserved.
In case of consideration for using Automotive equipment / device which demand high reliability, kindly contact our sales window correspondents.



- NOTE 1. THE MATING PARTNER OF THIS PRODUCT IS PS3F-RPC(22) AND PS3F-2R/8P/10P WITH PS3F-PC-HOLDER.
2. DRAWING CONTACT No. ARE CORRESPONDING TO CONTACT No. OF PS3F-2R/8P/10P CONTACT No. OF GT8E ARE DIFFERENT FROM DRAWING CONTACT No. (REFER NOTES No. 3)
3. PLEASE USE THE GT8E BELOW TO SIGNAL CH OF THIS PRODUCT.

信号CN1	GT8E-8S-HU
信号CN2	GT8E-10S-HU

- PLEASE PULL GT8E OUT BY HOLDING DOWN THE LOCK PORTION WHEN EXTRACTION GT8E.
PLEASE USE GT8E-2022SCF CRIMP TERMINAL OF GT8E.
4. PLEASE SET THE DISTANCE BETWEEN PANELS AS 46.2 TO 48.2 mm.
5. THE SALES UNIT OF THIS PRODUCT IS THE CARTON (32 PIECES)
6. REF. 2 THE TIGHTNING TORQUE FOR FLOATING SCREW IS 2.5 TO 5.2 N · m.
7. THE SCREW USED TO ATTACH THE PANEL IS M6.
THE TIGHTNING TORQUE FOR SCREW IS 2.5 TO 5.2 N · m.
8. SINCE THE POWER CONTACTS ARE SILVER PLATED, THEY MAY REACT WITH SULFIDE IN THE ATOMOSPHER TO CHANGE THE COLOR TO BLACKISH BROWN.
9. IT DESCRIBE LOT No. OF HEAT STAMPED ON THIS POSITION.
10. THE POWER CONTACT OF THIES PRODUCT IS NOT APPLICABLE FOR HOT-SWAP. IT CAN NOT BE USED TO INTERRUPT THE POWER.

NO.	MATERIAL	FINISH	REMARKS	NO.	MATERIAL	FINISH	REMARKS
3	PBT	BLACK	UL94V-0	6	CARDBOARD		
2	COPPER ALLOY	SILVER PLATING		5	PBT	BLACK	UL94V-0
1	PBT	BLACK	UL94V-0	4	COPPER ALLOY	TIN PLATING / GOLD PLATING	

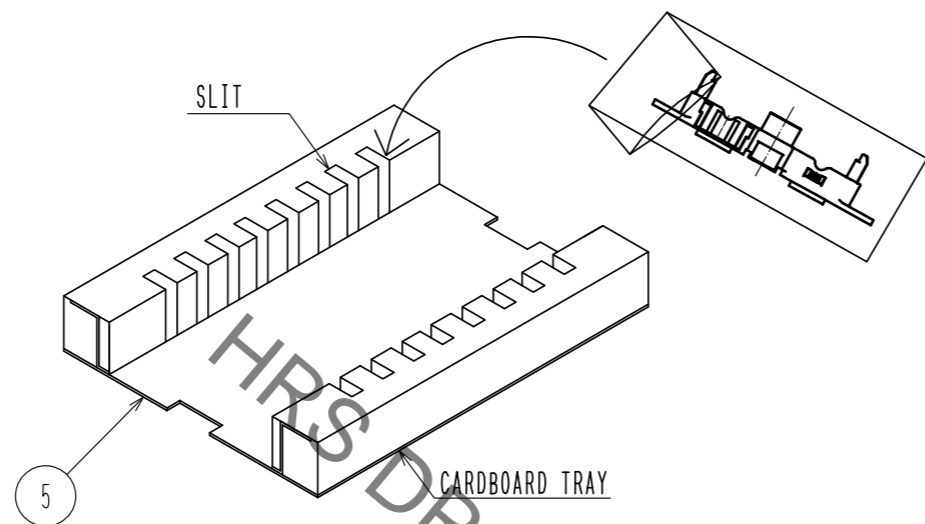
UNITS	SCALE	COUNT	DESCRIPTION OF REVISIONS	DESIGNED	CHECKED	DATE
mm	1 : 2					

APPROVED	: NM. NISHIMATSU	15.07.25	DRAWING NO.	EDC-128237-00-00
CHECKED	: NM. NISHIMATSU	15.07.25	PART NO.	PS3F-2RS/8S/10S
DESIGNED	: WR. YAMADA	15.07.24	CODE NO.	CL236-1055-4-00
DRAWN	: KK. UEHARA	15.06.11		

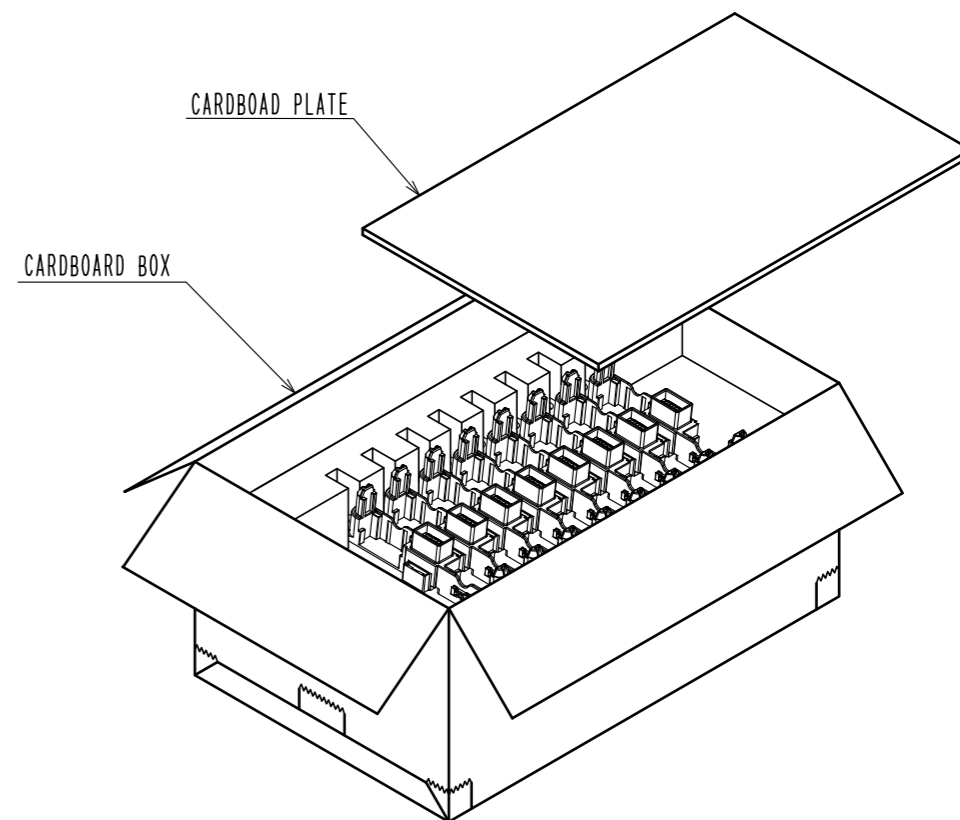
Sep.1.2021 Copyright 2021 HIROSE ELECTRIC CO., LTD. All Rights Reserved.
In case of consideration for using Automotive equipment / device which demand high reliability, kindly contact our sales window correspondents.

7 DRAWING FOR PACKING(FREE)

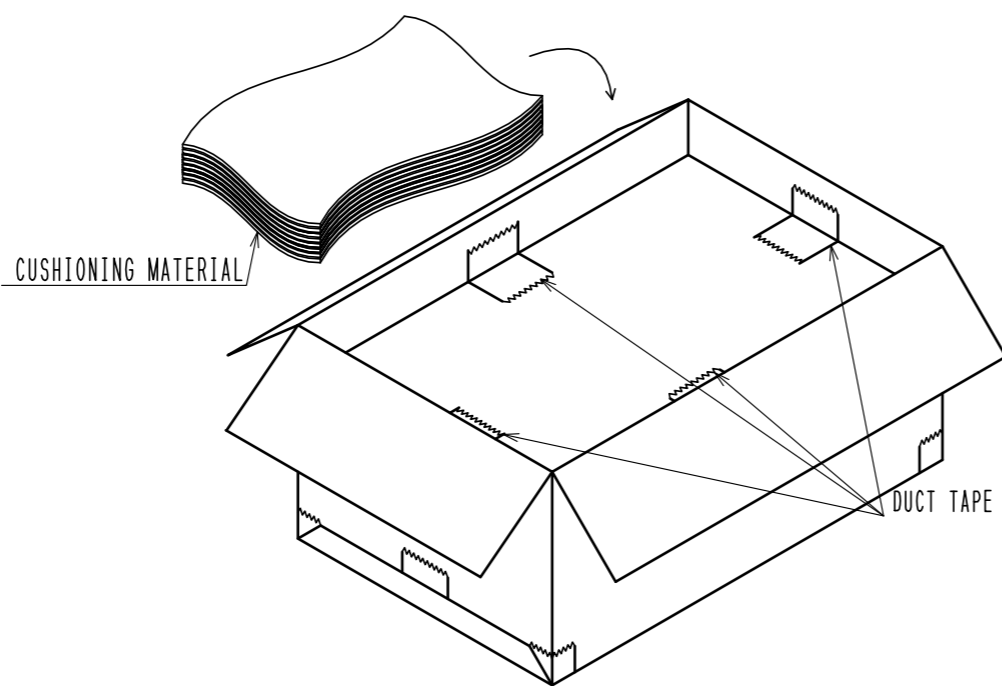
1. PUT THE PRODUCT IN VINYL BAGS, EXCESS PORTION OF VINYL BAGS IS FOLDED. IT PLUGGED INTO THE SLIT OF THE CARDBOARD TRAY. (8 PIECES PER 1 TRAY)



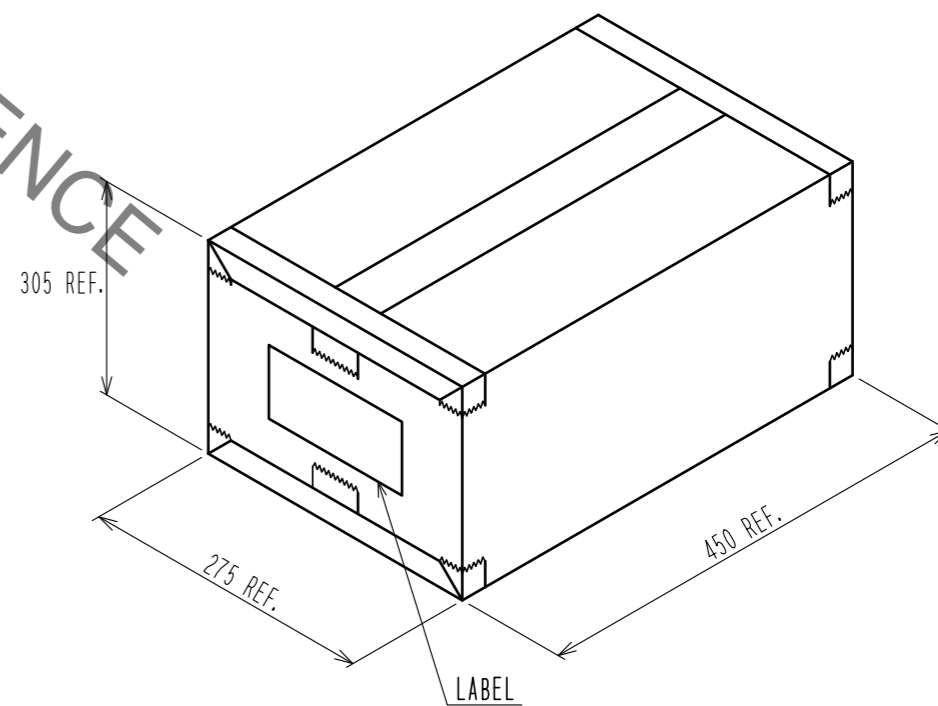
2. PUT IT ON TOP OF THE CARDBOARD TRAY ACCOMMODATING THE PRODUCTS (K26) IN FOUR STAGES, IT COVERED THE CARDBOARD PLATE ON IT. (8 PIECES × 4-STAGE = 32 PIECES PER 1 BOX)



3. FIX THE CARDBOARD BOX AND POSITION PLATE IN DUCT TAPE. PUT THE CUSHIONING MATERIAL ON TOP OF THE CARDBOARD PLATE.



4. CLOSE THE CARDBOARD BOX AND FIX DUCT TAPE. PASTE LABEL ON THE SIDE OF THE CARDBOARD BOX.



HRS	DRAWING NO.	EDC-128237-00-00
	PART NO.	PS3F-2RS/8S/10S
	CODE NO.	CL236-1055-4-00
		2/2

X-ON Electronics

Largest Supplier of Electrical and Electronic Components

Click to view similar products for [Heavy Duty Power Connectors](#) category:

Click to view products by [Hirose](#) manufacturer:

Other Similar products are found below :

[647757-1](#) [6643411-1](#) [6646058-2](#) [6646137-1](#) [6646138-1](#) [6646479-1](#) [6646608-1](#) [6646786-1](#) [6646940-1](#) [6651091-1](#) [6651525-1](#) [6651529-1](#)
[6651788-1](#) [696475-1](#) [73000005059](#) [73000005642](#) [765-15-0080A](#) [765-16-0080B](#) [829992-1](#) [902-77-02113](#) [129-1J](#) [AN0024023](#) [E6374G1](#)
[e6389g2](#) [157-43GW8](#) [MS3117-14AC](#) [1643543-1](#) [1650540-1](#) [1651811-2](#) [1766260-1](#) [1766282-1](#) [1766966-1](#) [1791340000](#) [NLDFT-3-BL-L-](#)
[S120-M40A](#) [NLDFT-N-W-L-C240-M40B](#) [NLS-2-R-C240-M40B](#) [NLS-N-W-C240-M40B](#) [NPS-3-BL-T6](#) [1986615-1](#) [2-1589900-8](#) [2199314-1](#)
[KA8102](#) [9300480317](#) [SBS50BRN#6](#) [29131](#) [29652](#) [1646905-1](#) [1648320-1](#) [1648582-1](#) [1650195-2](#)