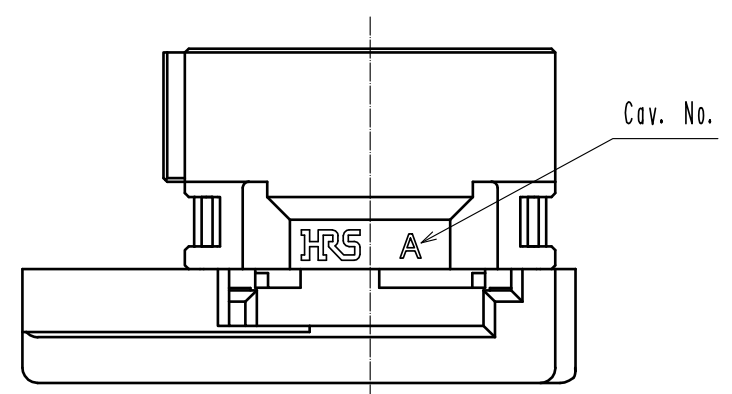
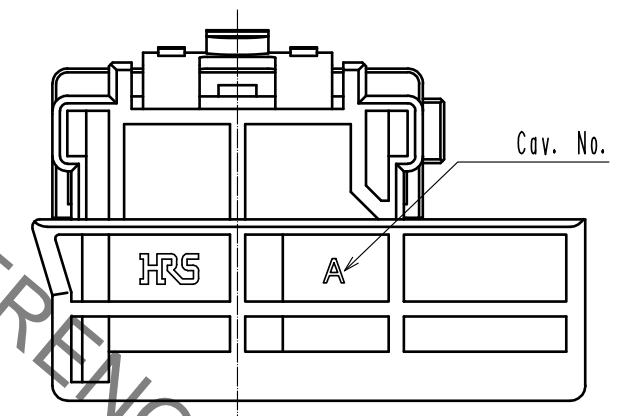
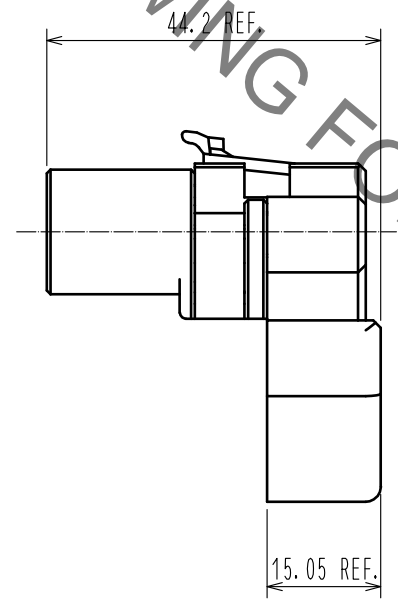
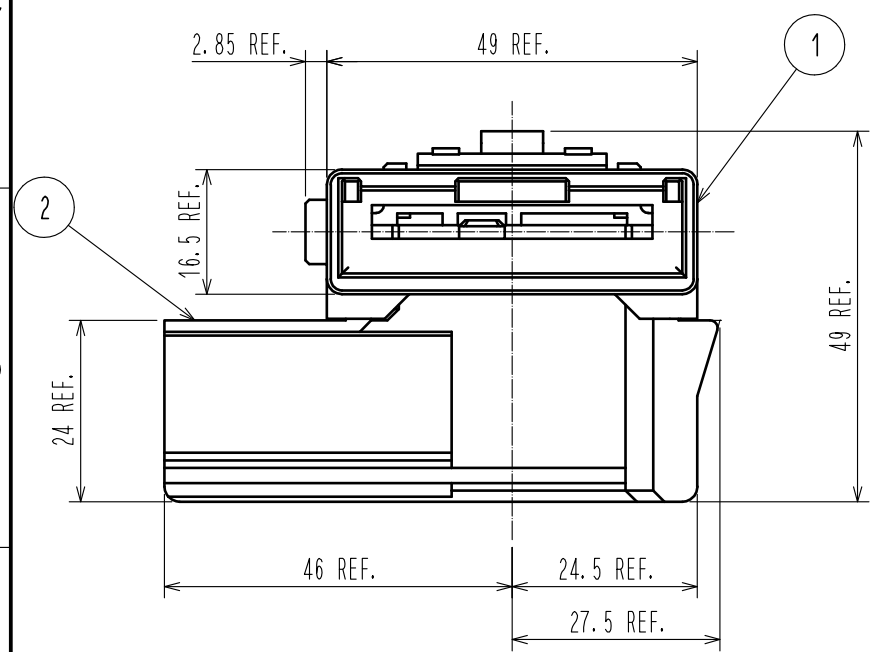
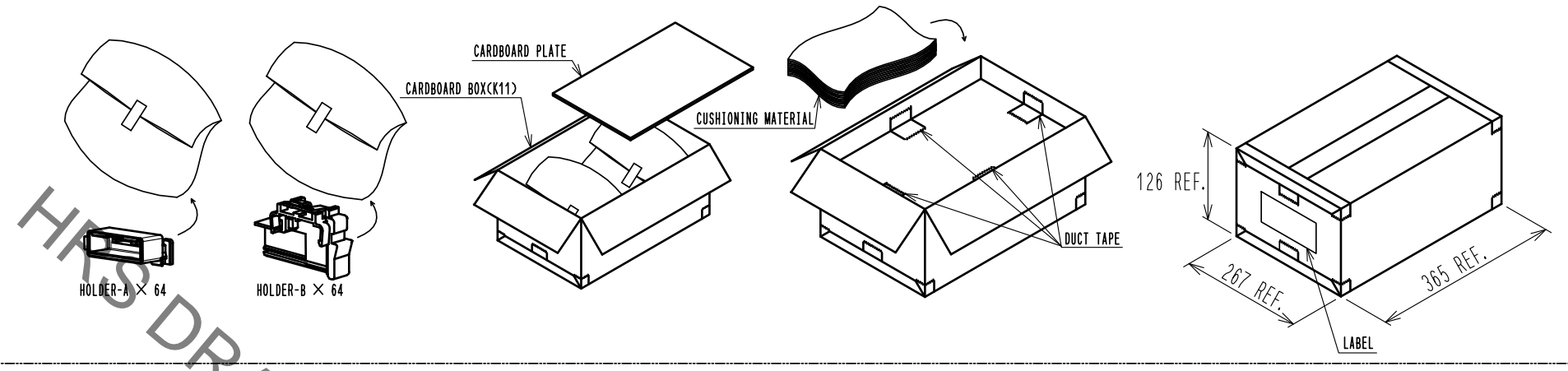
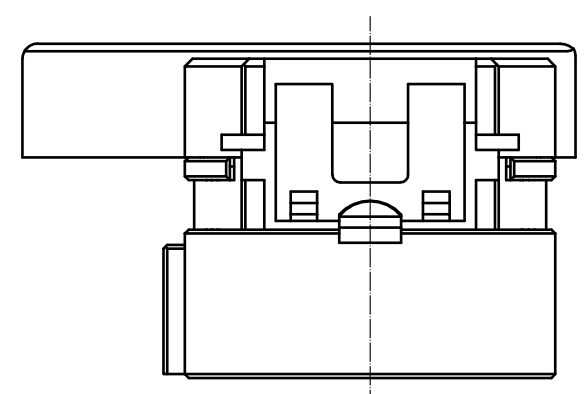


Sep.1.2021 Copyright 2021 HIROSE ELECTRIC CO., LTD. All Rights Reserved.
In case of consideration for using Automotive equipment / device which demand high reliability, kindly contact our sales window correspondents.

2 DRAWING FOR PACKING(FREE)

- EACH OF PARTS ARE PLACED IN A VINYL BAG BY 64. THE VINYL BAGS IS FOLDED AND FIXED BY TAPE.
- PUT A VINYL BAG FILLED WITH PRODUCT TO THE CARDBOARD BOX (K11), AND COVERED WITH A CARDBOARD PLATE ON IT.
- THE CARDBOARD BOX AND THE CARDBOARD PLATE FIX FOUR LOCATIONS IN DUCT TAPE. THE REPEATED CUSHIONING MATERIAL ON THE CARDBOARD PLATE, AND LAID WITHOUT GAPS.
- CLOSE THE CARDBOARD BOX AND FIX DUCT TAPE. PASTE LABEL ON THE SIDE OF THE CARDBOARD BOX.

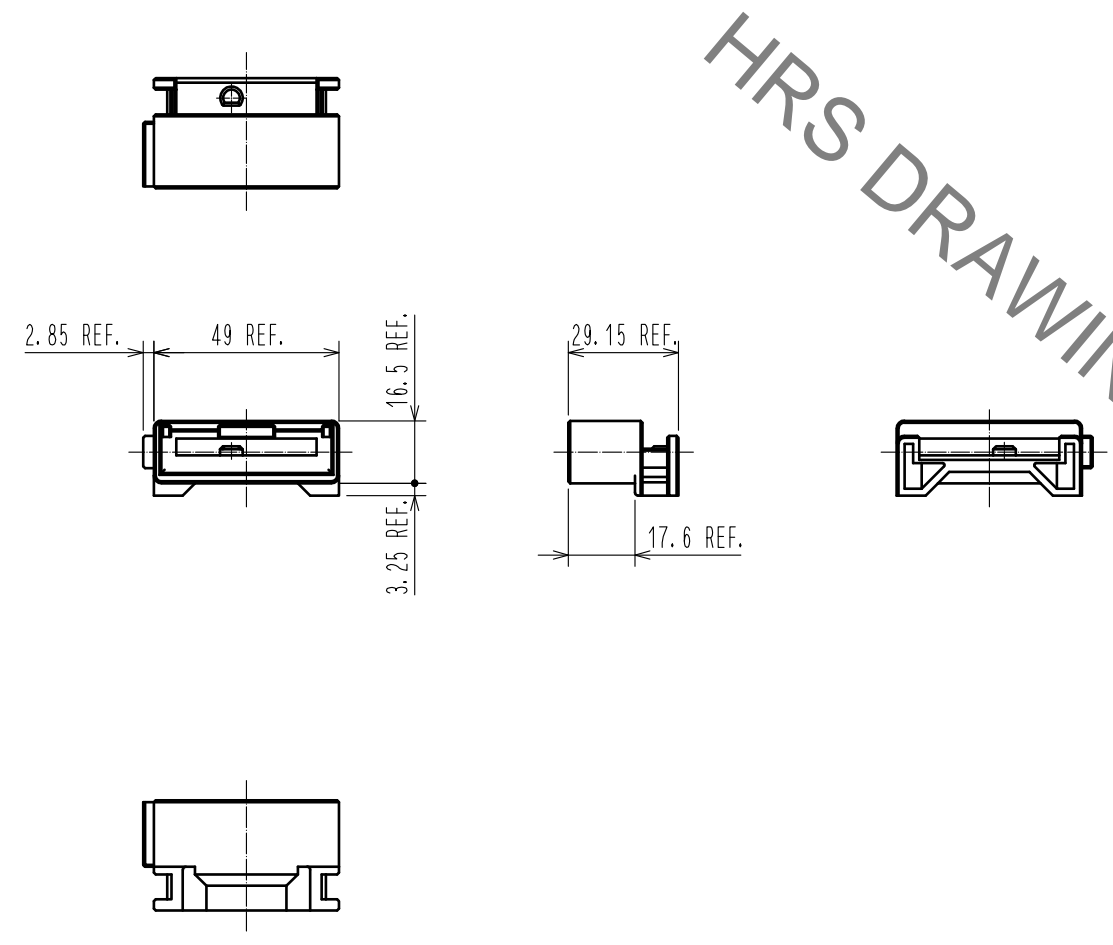


NOTE 1. PLEASE USE IN CONJUNCTION WITH PS3F-RPC(22).
PLEASE REFER ETAD-E3102 FOR ASSEMBLY PROCEDURE.
2 THE SALES UNIT OF THIS PRODUCT IS THE CARTON. (64 PIECES)
THE SIZE OF THE CARDBOARD BOX IS THE 365mm x 267mm x 126mm.

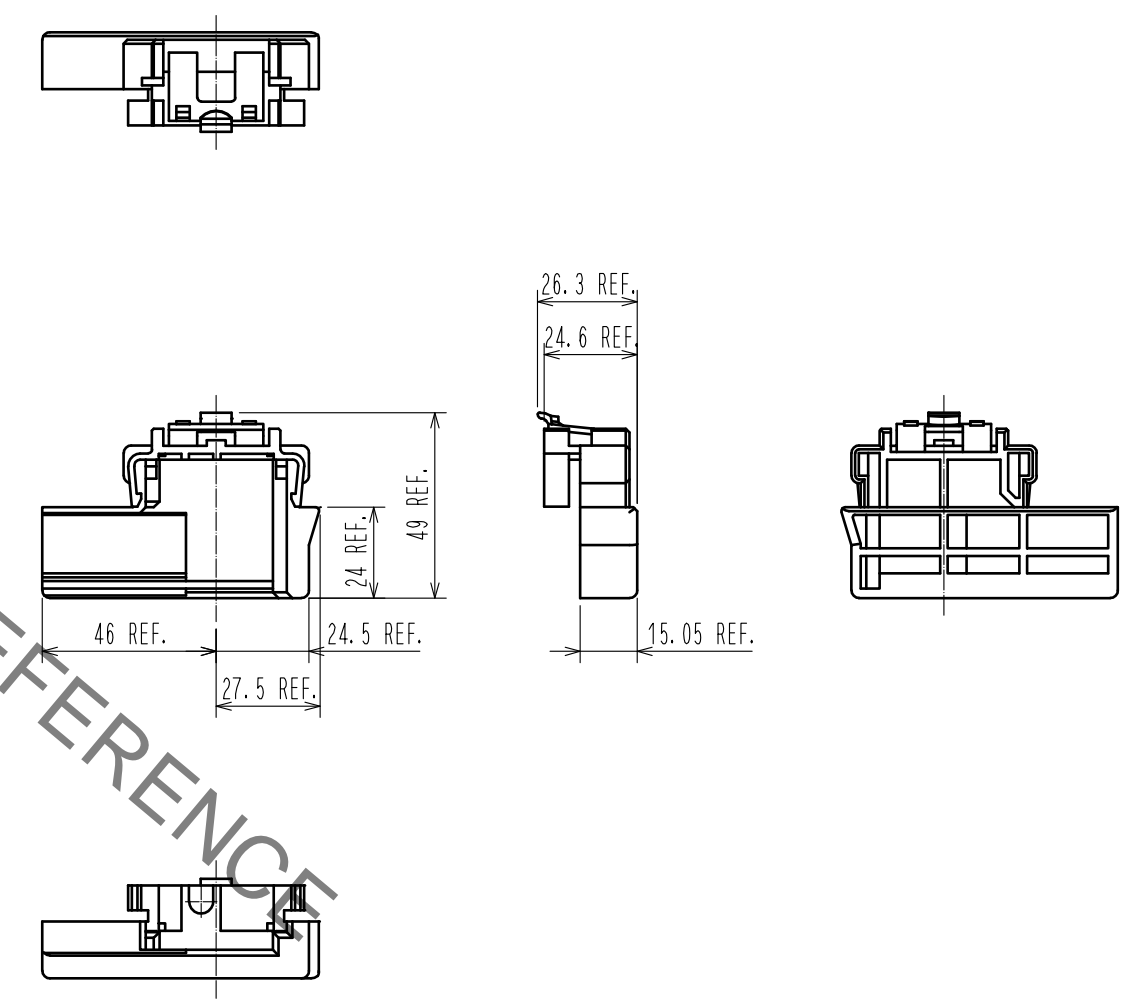
1	PBT	BLACK.	UL94V-0	2	PBT	BLACK.	UL94V-0	
NO.	MATERIAL	FINISH .	REMARKS	NO.	MATERIAL	FINISH .	REMARKS	
UNITS		SCALE	COUNT	DESCRIPTION OF REVISIONS		DESIGNED	CHECKED	DATE
mm		1 : 1						
HRS HIROSE ELECTRIC CO., LTD.		APPROVED : NM. NISHIMATSU	15.07.25	DRAWING NO.		EDC-128240-00-00		
		CHECKED : NM. NISHIMATSU	15.07.25	PART NO.		PS3F-PC-HOLDER		
		DESIGNED : WR. YAMADA	15.07.24	CODE NO.		CL236-1058-2-00		
		DRAWN : KK. UEHARA	15.06.11			1/2		

Sep.1.2021 Copyright 2021 HIROSE ELECTRIC CO., LTD. All Rights Reserved.
In case of consideration for using Automotive equipment / device which demand high reliability, kindly contact our sales window correspondents.

DEMENSION OF REF. NO. ① HOLDER-A (1:2)



DEMENSION OF REF. NO. ② HOLDER-B (1:2)



HRS DRAWING FOR REFERENCE

HRS	DRAWING NO.	EDC-128240-00-00
	PART NO.	PS3F-PC-HOLDER
	CODE NO.	CL236-1058-2-00
		2/2

X-ON Electronics

Largest Supplier of Electrical and Electronic Components

Click to view similar products for [Heavy Duty Power Connectors](#) category:

Click to view products by [Hirose](#) manufacturer:

Other Similar products are found below :

[647757-1](#) [6643411-1](#) [6646058-2](#) [6646137-1](#) [6646138-1](#) [6646479-1](#) [6646608-1](#) [6646786-1](#) [6646940-1](#) [6651091-1](#) [6651525-1](#) [6651529-1](#)
[6651788-1](#) [696475-1](#) [73000005059](#) [73000005642](#) [765-15-0080A](#) [765-16-0080B](#) [829992-1](#) [902-77-02113](#) [129-1J](#) [AN0024023](#) [E6374G1](#)
[e6389g2](#) [157-43GW8](#) [MS3117-14AC](#) [1643543-1](#) [1650540-1](#) [1651811-2](#) [1766260-1](#) [1766282-1](#) [1766966-1](#) [1791340000](#) [NLDFT-3-BL-L-](#)
[S120-M40A](#) [NLDFT-N-W-L-C240-M40B](#) [NLS-2-R-C240-M40B](#) [NLS-N-W-C240-M40B](#) [NPS-3-BL-T6](#) [1986615-1](#) [2-1589900-8](#) [2199314-1](#)
[KA8102](#) [9300480317](#) [SBS50BRN#6](#) [29131](#) [29652](#) [1646905-1](#) [1648320-1](#) [1648582-1](#) [1650195-2](#)