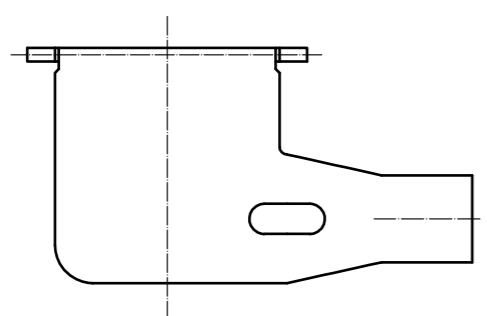
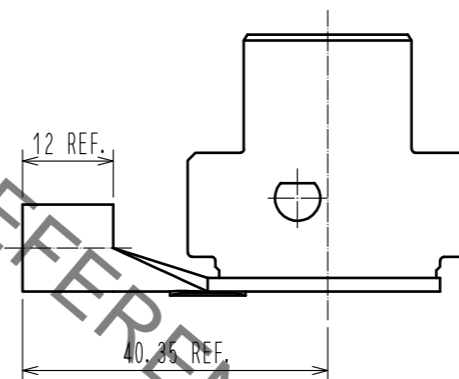
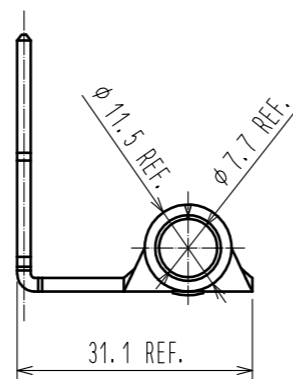
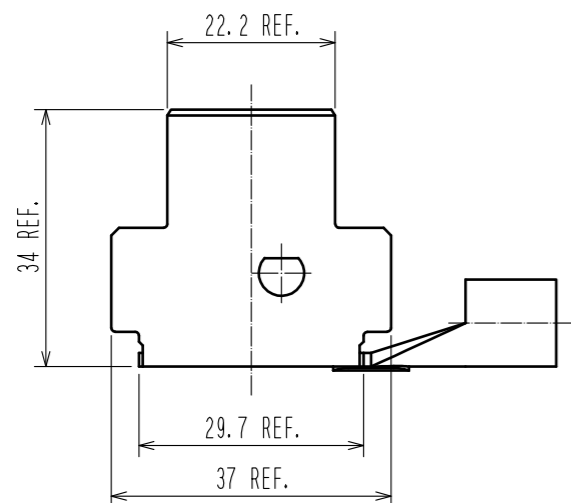
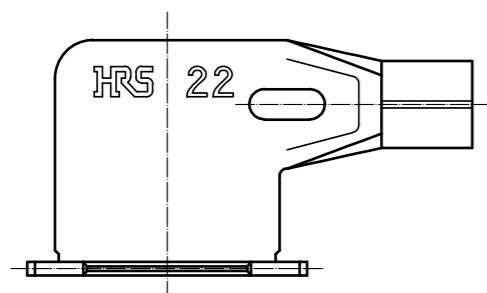


Sep.1.2021 Copyright 2021 HIROSE ELECTRIC CO., LTD. All Rights Reserved.
 In case of consideration for using Automotive equipment / device which demand high reliability, kindly contact our sales window correspondents.



HRS DRAWING FOR REFERENCE

- NOTE 1. PLEASE USE IN CONJUNCTION WITH PS3F-PC-HOLDER.
 PLEASE REFER ETAD-E3102 FOR ASSEMBLY PROCEDURE.
 2. THIS PRODUCT IS COPPER BASE MATERIAL IS SOFTENED BY THE HEAT OF
 THE BRAZING PROCESS OF CRIMPING PART. NOTE THE HANDLING THE HARNESS AND PACKING.

1	COPPER ALLOY	SILVER PLATING
NO.	MATERIAL	FINISH . REMARKS

UNITS	SCALE	COUNT	DESCRIPTION OF REVISIONS	DESIGNED	CHECKED	DATE
mm	1 : 1	△				
HIROSE ELECTRIC CO., LTD.			APPROVED : NM. NISHIMATSU 15.07.30	DRAWING NO. EDC-128239-01-00		
			CHECKED : NM. NISHIMATSU 15.07.30	PART NO. PS3F-RPC(22)(01)		
			DESIGNED : MO. SHIMOYAMA 15.07.29	CODE NO. CL236-1057-0-01		
			DRAWN : MO. SHIMOYAMA 15.07.29	1/1		

X-ON Electronics

Largest Supplier of Electrical and Electronic Components

Click to view similar products for [Heavy Duty Power Connectors](#) category:

Click to view products by [Hirose](#) manufacturer:

Other Similar products are found below :

[647757-1](#) [6643411-1](#) [6646058-2](#) [6646137-1](#) [6646138-1](#) [6646479-1](#) [6646608-1](#) [6646786-1](#) [6646940-1](#) [6651091-1](#) [6651525-1](#) [6651529-1](#)
[6651788-1](#) [696475-1](#) [73000005059](#) [73000005642](#) [765-15-0080A](#) [765-16-0080B](#) [829992-1](#) [902-77-02113](#) [129-1J](#) [AN0024023](#) [E6374G1](#)
[e6389g2](#) [157-43GW8](#) [MS3117-14AC](#) [1643543-1](#) [1650540-1](#) [1651811-2](#) [1766260-1](#) [1766282-1](#) [1766966-1](#) [1791340000](#) [NLDFT-3-BL-L-](#)
[S120-M40A](#) [NLDFT-N-W-L-C240-M40B](#) [NLS-2-R-C240-M40B](#) [NLS-N-W-C240-M40B](#) [NPS-3-BL-T6](#) [1986615-1](#) [2-1589900-8](#) [2199314-1](#)
[KA8102](#) [9300480317](#) [SBS50BRN#6](#) [29131](#) [29652](#) [1646905-1](#) [1648320-1](#) [1648582-1](#) [1650195-2](#)