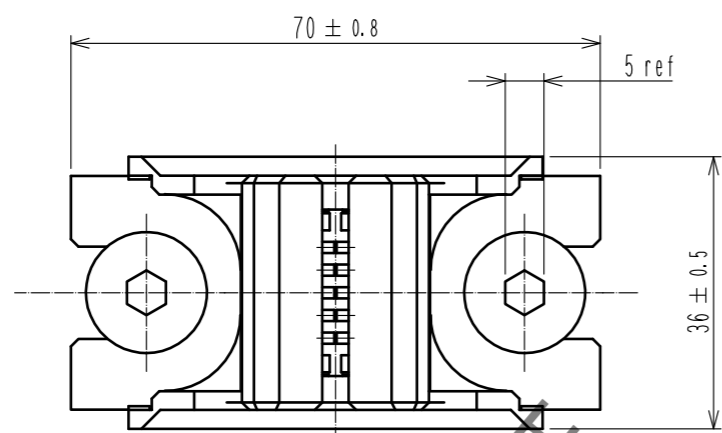
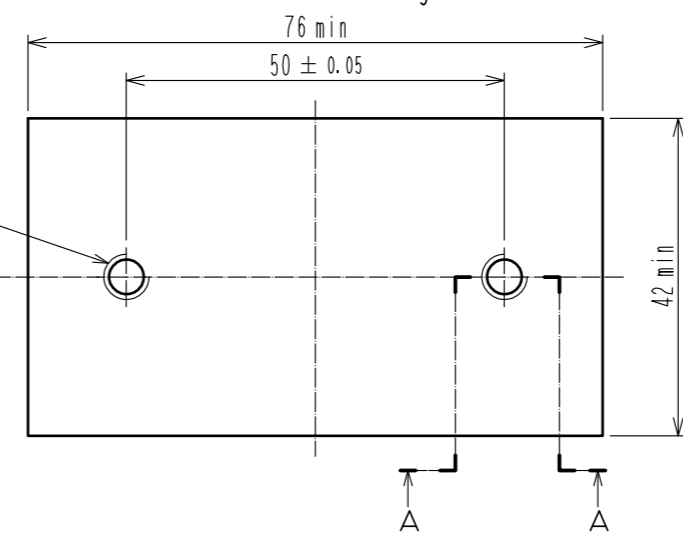


Sep.1.2021 Copyright 2021 HIROSE ELECTRIC CO., LTD. All Rights Reserved.  
In case of consideration for using Automotive equipment / device which demand high reliability, kindly contact our sales window correspondents.

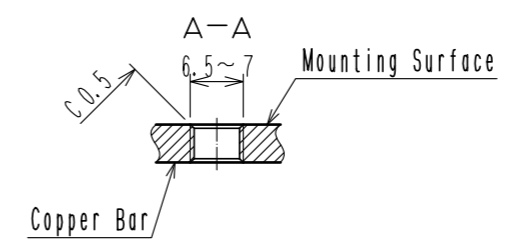
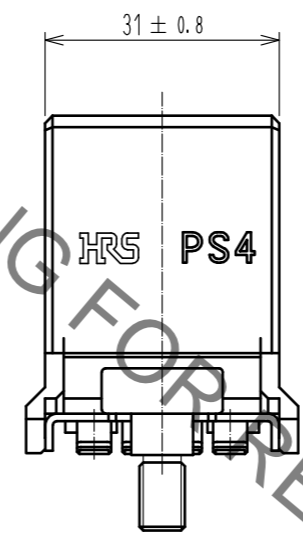
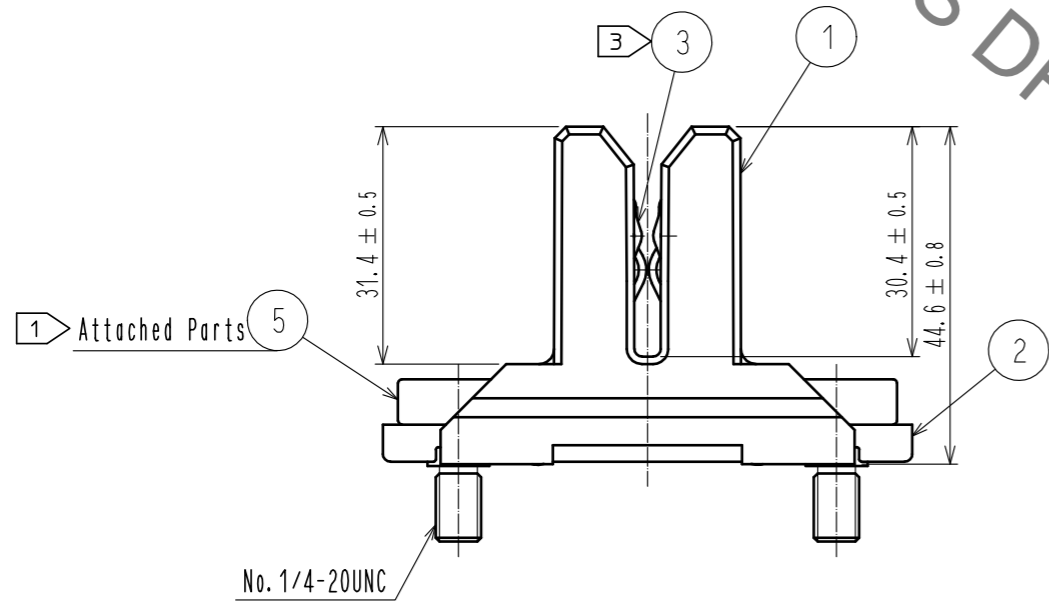
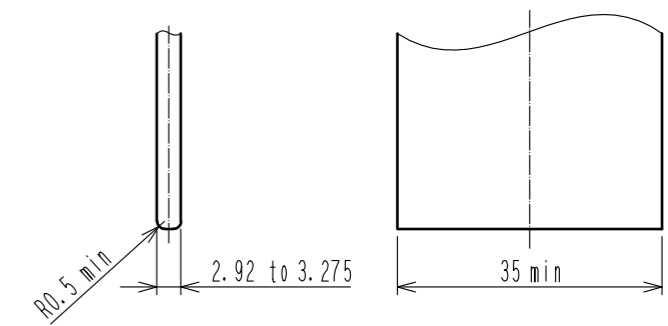


No. 1/4-20UNC  
Tapped through hole  
or depth 11mm min.

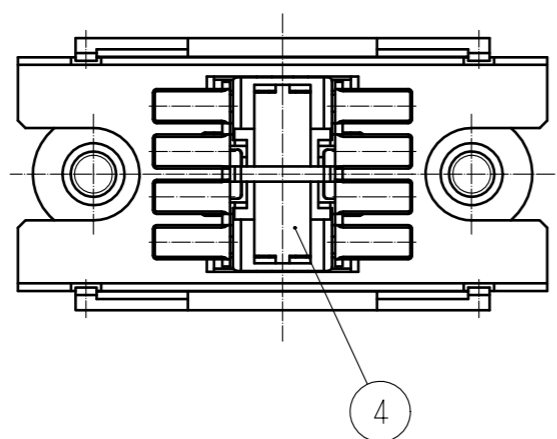
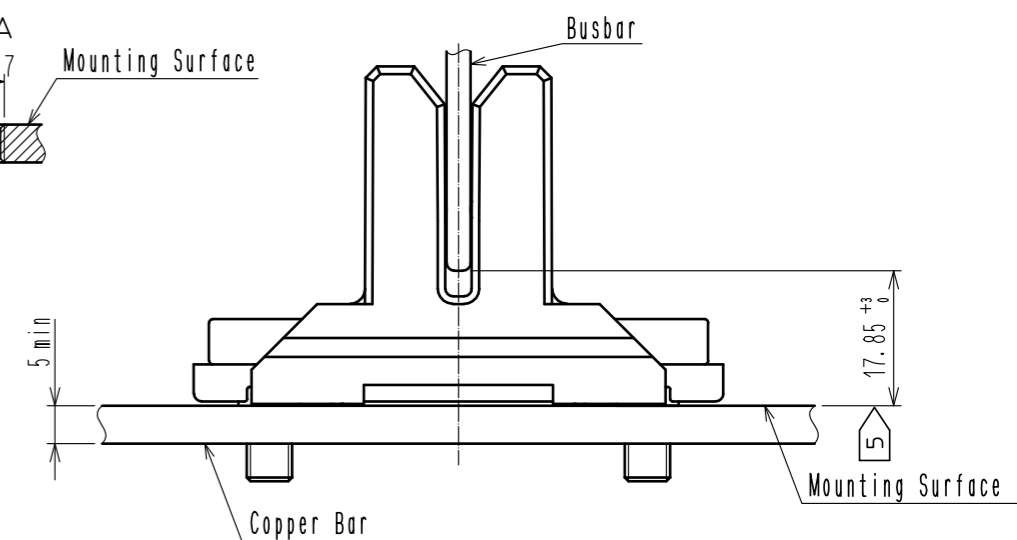
Copper bar Dimensions  
(connector mounting bar)



Busbar Dimensions  
(mating busbar)



View Of Mounting State



- Notes
- ① The recommended tightening torque for the Ref No.5 is 5 N·m.
  - ② This product has floating range of ±2mm from the center of the connector.
  - ③ There are some cases that plating color of Ref No.3 may change from silver to blackish brown due to chemical reaction by sulfure in the atmosphere.
  - ④ Busbar and copper bar shall be either silver plating.
  - ⑤ The recommended distance between installation site and tip of busbar shall be 17.85<sup>+0.3</sup> mm.

|             |                                 |                          |            |  |                           |
|-------------|---------------------------------|--------------------------|------------|--|---------------------------|
| 2           | Stainless Steel                 |                          | 5          | Steel                                      | Nickel Plating : 2μm min  |
| 1           | PBT                             | Black. UL94V-0           | 4          | PBT  | Black. UL94V-0            |
|             |                                 |                          | 3          | Copper Alloy                               | Silver Plating : 2μm min  |
| NO.         | MATERIAL                        | FINISH . REMARKS         | NO.        | MATERIAL                                   | FINISH . REMARKS          |
| UNITS<br>mm |                                 | SCALE<br>1 : 1           | COUNT<br>1 | DESCRIPTION OF REVISIONS<br>DIS-E-00000752 | DESIGNED<br>MO. SHIMOYAMA |
|             |                                 |                          |            |  | CHECKED<br>NM. NISHIMATSU |
|             |                                 |                          |            |  | DATE<br>16.11.15          |
| <b>HRS</b>  | HIROSE<br>ELECTRIC<br>CO., LTD. | APPROVED : RI. TAKAYASU  | 15.12.16   | DRAWING<br>NO.                             | EDC-128869-00-00          |
|             |                                 | CHECKED : NM. NISHIMATSU | 15.12.15   | PART<br>NO.                                | PS4-3.175T                |
|             |                                 | DESIGNED : MO. SHIMOYAMA | 15.12.15   | CODE<br>NO.                                | CL236-1012-0-00           |
|             |                                 | DRAWN : MO. SHIMOYAMA    | 15.12.15   |  |                           |

## X-ON Electronics

Largest Supplier of Electrical and Electronic Components

*Click to view similar products for [Heavy Duty Power Connectors](#) category:*

*Click to view products by [Hirose](#) manufacturer:*

Other Similar products are found below :

[647757-1](#) [6643411-1](#) [6646058-2](#) [6646137-1](#) [6646138-1](#) [6646479-1](#) [6646608-1](#) [6646786-1](#) [6646940-1](#) [6651091-1](#) [6651525-1](#) [6651529-1](#)  
[6651788-1](#) [696475-1](#) [73000005059](#) [73000005642](#) [765-15-0080A](#) [765-16-0080B](#) [829992-1](#) [902-77-02113](#) [129-1J](#) [AN0024023](#) [E6374G1](#)  
[e6389g2](#) [157-43GW8](#) [MS3117-14AC](#) [1643543-1](#) [1650540-1](#) [1651811-2](#) [1766260-1](#) [1766282-1](#) [1766966-1](#) [1791340000](#) [NLDFT-3-BL-L-](#)  
[S120-M40A](#) [NLDFT-N-W-L-C240-M40B](#) [NLS-2-R-C240-M40B](#) [NLS-N-W-C240-M40B](#) [NPS-3-BL-T6](#) [1986615-1](#) [2-1589900-8](#) [2199314-1](#)  
[KA8102](#) [9300480317](#) [SBS50BRN#6](#) [29131](#) [29652](#) [1646905-1](#) [1648320-1](#) [1648582-1](#) [1650195-2](#)