

DRAWING FOR REFERENCE: This is subject to change without notice
08/11/2012

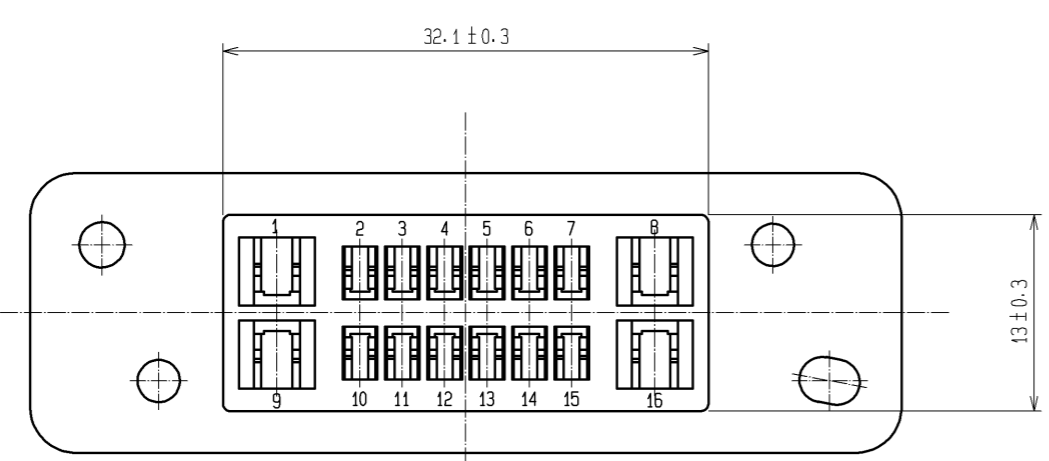
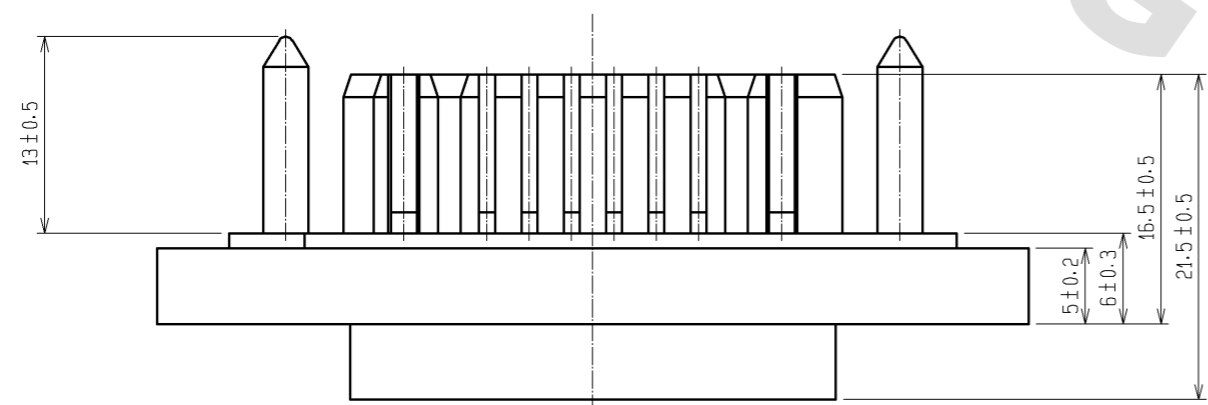
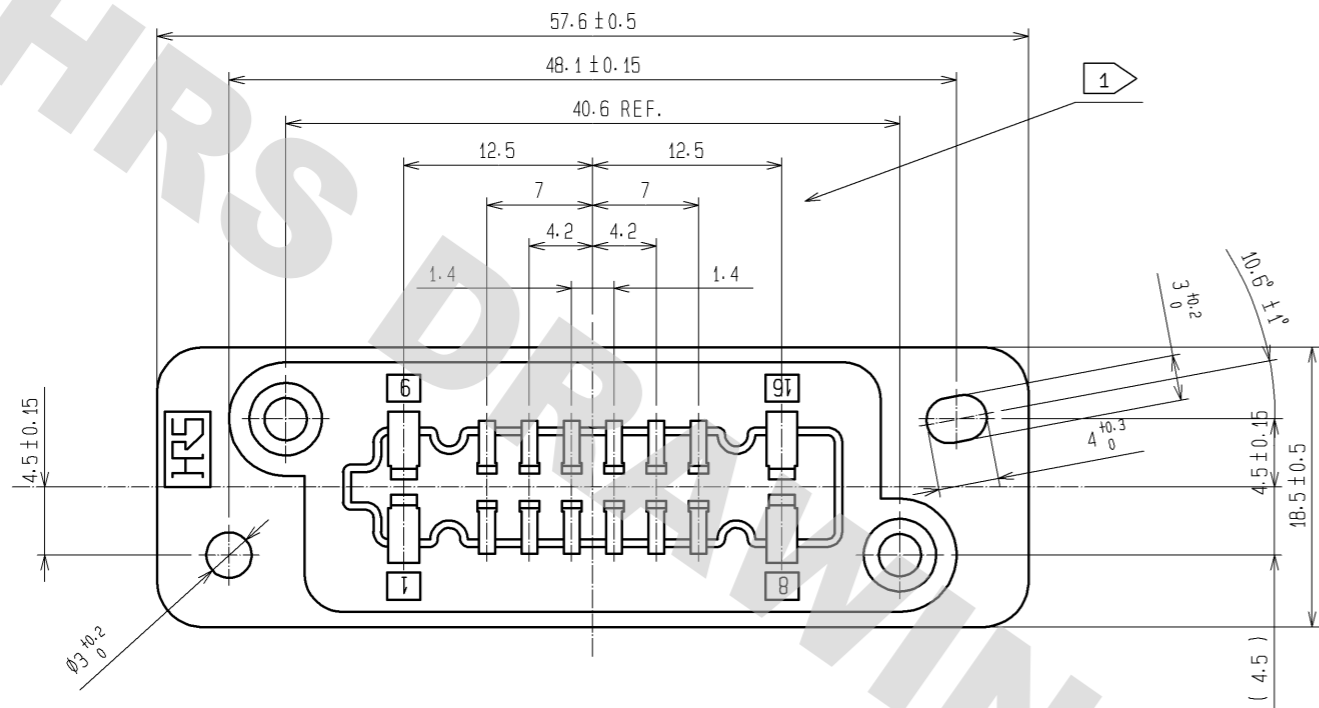


TABLE 1

SAFETY STANDARD		UL		CSA		TÜV
OPERATING TEMPERATURE RANGE		-10~+60°C				
RATED VOLTAGE	No. 1, 8, 9, 16	AC120V	AC250V	AC125V	AC250V	AC250V, DC300V
	OTHERS					AC125V, DC150V
CURRENT RATING	AWG #14	10A	3A	10A	3A	10A
	AWG #16			8A		
	AWG #18	3A	1A	3A	1A	5A
	AWG #20			2.5A		
	AWG #22					
	AWG #24	2A	1A	2A	1A	1A
OTHERS						
AWG #26	1A	0.5A	1A	0.5A		
AWG #28						

TABLE 2

APPLICABLE CONTACT	AWG No.
QR/P1-PC1A-※11	AWG #18~24
QR/P1-PC1B-※21	AWG #14~16
QR/P1-PC2A-※11	AWG #24~28
QR/P1-PC2B-※21	AWG #20~24

※: 1 INDICATED LOOSE CONTACT
2 INDICATED CHAIN CONTACT

NOTES

- THE TOLERANCE FOR EACH TERMINAL HOLE IS ±0.1.
- OPERATING TEMPERATURE RANGE, RATED VOLTAGE, CURRENT RATING ARE PER TABLE 1.
- APPLICABLE CONTACTS FOR THIS CONNECTOR ARE PER TABLE 2.
- DIRECTIONS FOR USE
(1) PLEASE DON'T USE FOR THE PURPOSE OF INTERRUPTING THE CURRENT.
(2) PLEASE USE THIS CONNECTOR IN ENCLOSURE

1	PBT	UL94V-0(BLACK)	2	BRASS	NICKEL PLATED 3μm MIN
NO.	MATERIAL	FINISH, REMARKS	NO.	MATERIAL	FINISH, REMARKS
UNITS	mm	SCALE	2:1	COUNT	DESCRIPTION OF REVISIONS
APPROVED : YH. ENAMI		08.03.10		DRAWING NO. EDC3-020652-01	
CHECKED : HO. MIWA		08.03.10		PART NO. QR/P1-16P-C(51)	
DESIGNED : KI. NAGANUMA		08.03.10		CODE NO. CL221-0110-6-51	
DRAWN : KI. NAGANUMA		08.03.10			

X-ON Electronics

Largest Supplier of Electrical and Electronic Components

Click to view similar products for [Rack & Panel Connectors](#) category:

Click to view products by [Hirose](#) manufacturer:

Other Similar products are found below :

[00171410002](#) [00171420202](#) [00171440002](#) [02-014-013-5200-000](#) [613467-000](#) [CTJ112E01E-513](#) [CTJ116E03A-513](#) [CTJ720E01B-513 L/C](#)
[66020-2](#) [CW8958-000](#) [699886-000](#) [D250-50632](#) [70.400.3240.0](#) [70.955.2453.3](#) [733753-000](#) [F22831-000](#) [780-522-DPX34RG8-02](#) [8660-501](#)
[87.060.0053.0](#) [900709N001](#) [928358-1](#) [D-659-0061](#) [DMC-MD 24 C-T](#) [1-445717-6](#) [1484469-2](#) [1604997-2](#) [MTC100-BF1-P31CS015](#)
[MTC100-KT2-0083](#) [MTC100-KT2-0123-003](#) [MTC100-YA1-005](#) [MTCPQKT1R2PGCA](#) [MTCR-103-04S](#) [MTCX1X-100-100CS025](#)
[1738331-1](#) [1757667-1](#) [1811481-1](#) [1883433-1](#) [201046-7](#) [202648-4](#) [213364-1](#) [226503-000](#) [937028-164](#) [1663130-2](#) [172305-4](#) [F36711-000](#)
[202355-2](#) [202356-2](#) [G16S-A](#) [G20S-AB](#) [CHA-0017-003](#)