

DRAWING FOR REFERENCE: This is subject to change without notice
08/11/2012

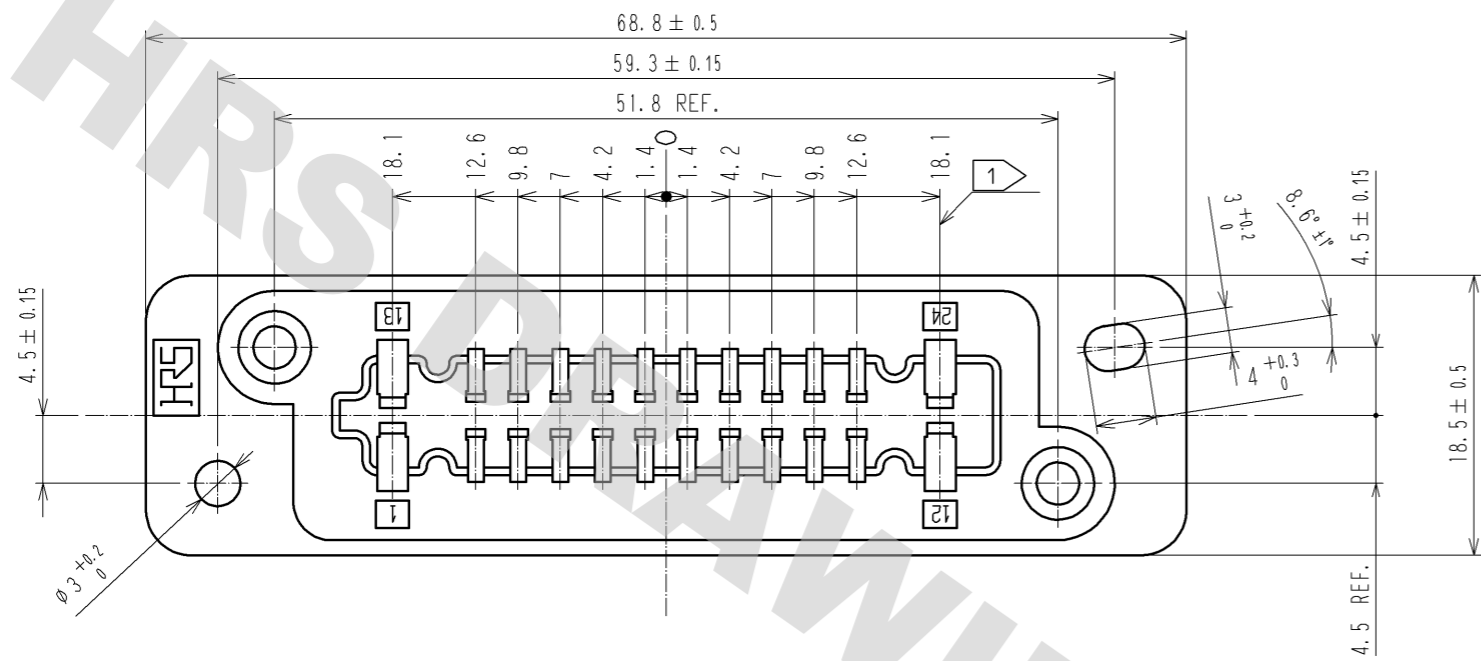


TABLE 2

SAFETY STANDARD		UL		CSA		TÜV
OPERATING TEMPERATURE RANGE		-10 ~ +60 °C				
RATED VOLTAGE	NO. 1, 12, 13, 24	AC 120 V	AC 250 V	AC 125 V	AC 250 V	AC 250 V · DC 300 V
	OTHERS					AC 125 V · DC 150 V
CURRENT RATING	AWG #14	10 A	3 A	10 A	3 A	10 A
	AWG #16			8 A		
	AWG #18	3 A	1 A	3 A	1 A	5 A
	AWG #20					2.5 A
	AWG #22	2 A	1 A	2 A	1 A	1 A
	AWG # 24					
AWG #26	1 A	0.5 A	1 A	0.5 A		
AWG #28						

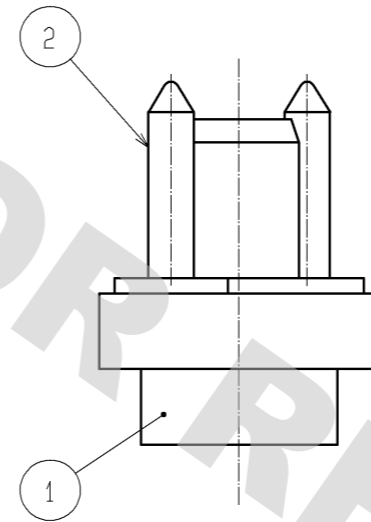
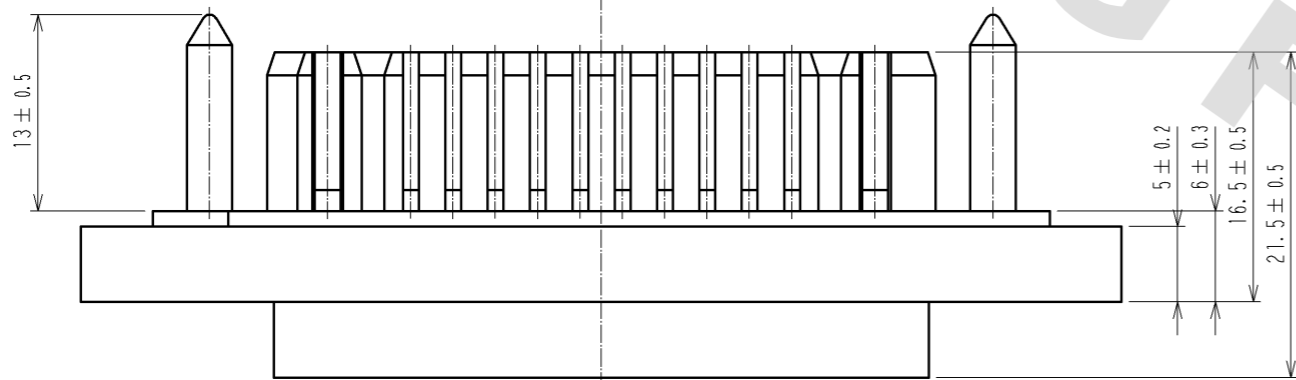
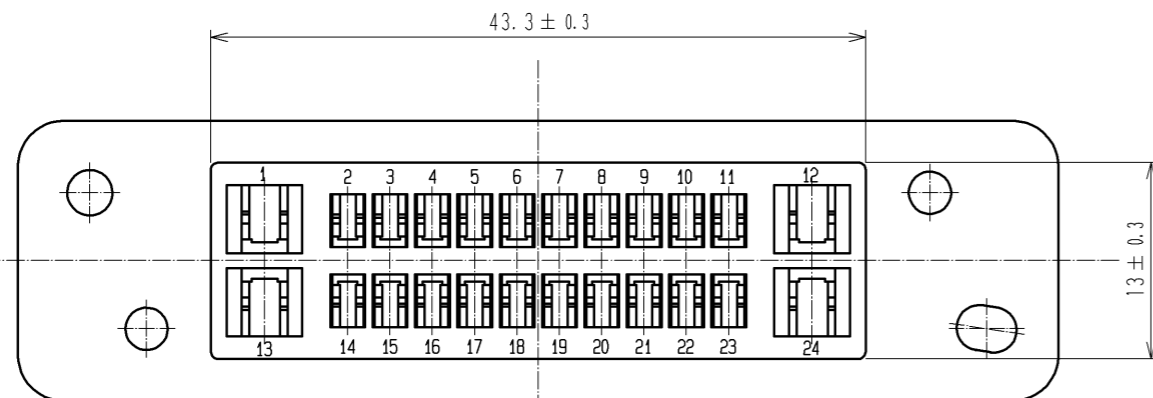


TABLE 1

APPLICABLE CONTACT	AWG No.
QR/P1-PC1A-*11	AWG #18~24
QR/P1-PC1B-*21	AWG #14~16
QR/P1-PC2A-*11	AWG #24~28
QR/P1-PC2B-*21	AWG #20~24

* : 1 INDICATED LOOSE CONTACT
2 INDICATED CHAIN CONTACT

- NOTES
- ① THE TOLERANCE FOR EACH TERMINAL HOLE IS ± 0.1 .
 - ② OPERATING TEMPERATURE RANGE, RATED VOLTAGE, CURRENT RATING ARE PER TABLE 2.
 - ③ APPLICABLE CONTACTS FOR THIS CONNECTOR ARE PER TABLE 1.
 4. DIRECTIONS FOR USE
 - (1) PLEASE DON'T USE FOR THE PURPOSE OF INTERRUPTING THE CURRENT.
 - (2) PLEASE USE THIS CONNECTOR IN ENCLOSURE.



1	PBT	BLACK , UL94V-0	2	BRASS	NICKEL PLATING 0.8 μ m MIN.
NO.	MATERIAL	FINISH , REMARKS	NO.	MATERIAL	FINISH , REMARKS
UNITS		SCALE	COUNT	DESCRIPTION OF REVISIONS	
mm		2 : 1	Δ	DESIGNED	CHECKED
HRS HIROSE ELECTRIC CO., LTD.		APPROVED : RI. TAKAYASU	11. 05. 30	DRAWING NO. EDC3-020654-04	
		CHECKED : YH. ENAMI	11. 05. 30	PART NO. QR/P1-24P-C(51)	
		DESIGNED : MT. ITANO	11. 05. 30	CODE NO. CL221-0112-1-51	
		DRAWN : TF. HIGASHIYAMA	11. 05. 25		

X-ON Electronics

Largest Supplier of Electrical and Electronic Components

Click to view similar products for [Rack & Panel Connectors](#) category:

Click to view products by [Hirose](#) manufacturer:

Other Similar products are found below :

[00171410002](#) [00171420202](#) [00171440002](#) [02-014-013-5200-000](#) [613467-000](#) [CTJ112E01E-513](#) [CTJ116E03A-513](#) [CTJ720E01B-513 L/C](#)
[66020-2](#) [CW8958-000](#) [699886-000](#) [D250-50632](#) [70.400.3240.0](#) [70.955.2453.3](#) [733753-000](#) [F22831-000](#) [780-522-DPX34RG8-02](#) [8660-501](#)
[87.060.0053.0](#) [900709N001](#) [928358-1](#) [D-659-0061](#) [DMC-MD 24 C-T](#) [1-445717-6](#) [1484469-2](#) [1604997-2](#) [MTC100-BF1-P31CS015](#)
[MTC100-KT2-0083](#) [MTC100-KT2-0123-003](#) [MTC100-YA1-005](#) [MTCPQKT1R2PGCA](#) [MTCR-103-04S](#) [MTCX1X-100-100CS025](#)
[1738331-1](#) [1757667-1](#) [1811481-1](#) [1883433-1](#) [201046-7](#) [202648-4](#) [213364-1](#) [226503-000](#) [937028-164](#) [1663130-2](#) [172305-4](#) [F36711-000](#)
[202355-2](#) [202356-2](#) [G20S-AB](#) [CHA-0017-003](#) [CHA-0296](#)