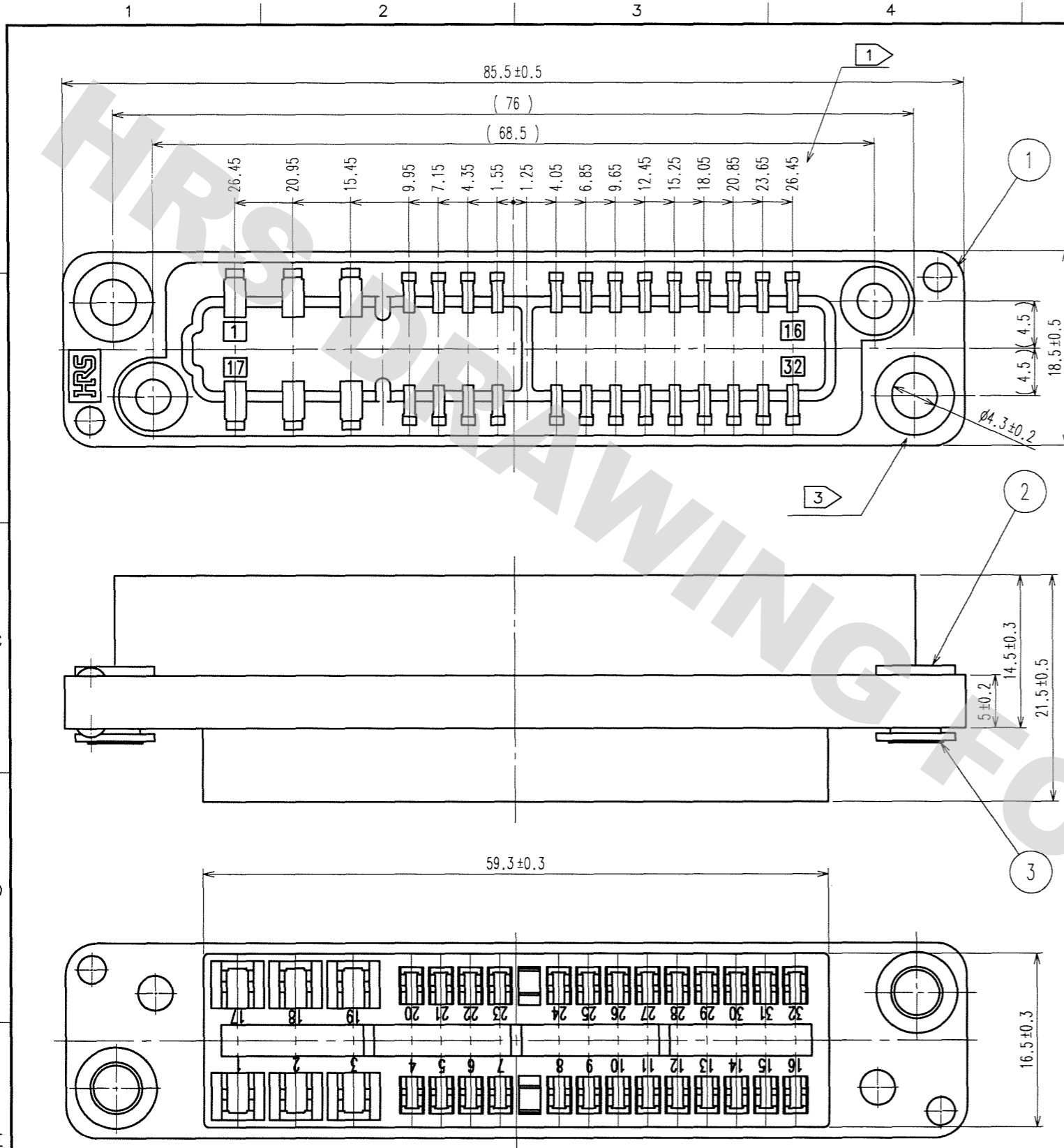


DRAWING FOR REFERENCE: This is subject to change without notice
08/11/2012



COUNT	DESCRIPTION OF REVISIONS	BY	CHKD	DATE	COUNT	DESCRIPTION OF REVISIONS	BY	CHKD	DATE

2 TABLE 1

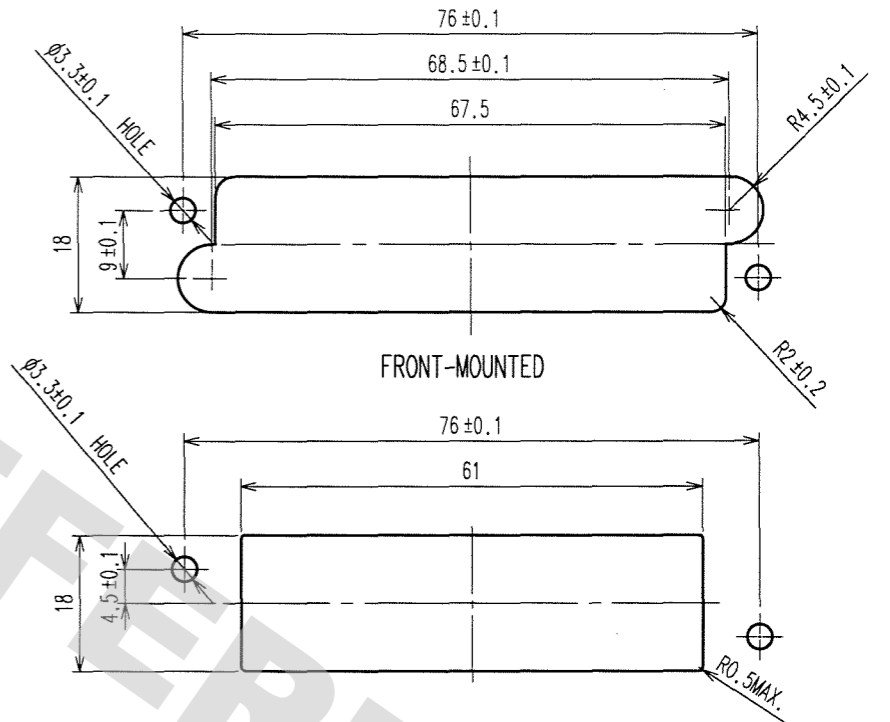
SAFETY STANDARD		UL	CSA	TUV	
OPERATING TEMPERATURE RANGE		-10~+60°C			
LATED VOLTAGE	CONTACT No. 1~3, 17~19	AC120V	AC250V	AC125V	AC250V
	OTHERS				AC250V, DC300V AC125V, DC150V
CURRENT RATING	AWG # 14	10A	3A	10A	10A
	AWG # 16			8A	
	AWG # 18	3A	1A	3A	2.5A
	AWG # 20				
	AWG # 22	2A	1A	1A	1A
	AWG # 24				
CONTACT No. 1~3, 17~19	2A	1A	2A	1A	
OTHERS	1A	0.5A	1A	0.5A	
AWG # 26					
AWG # 28					

3 TABLE 2

APPLICABLE CONTACT	AWG No.
QR/P1-SC1A-11	AWG # 18~24
QR/P1-SC1B-21	AWG # 14~16
QR/P1-SC2A-11	AWG # 24~28
QR/P1-SC2B-21	AWG # 20~24

*: 1 - LOOSE PIECE CONTACT
2 - STRIP CONTACT

PANEL CUTOUT (1:1)
RESTRAIN A DIFFERENCE IN PUBLIC WITH NO DESIGNATION IN LESS THAN ±0.2.
BACK-MOUNTED



- NOTES
- THE TOLERANCE FOR EACH TERMINAL HOLE IS ± 0.1.
 - OPERATING TEMPERATURE RANGE, RATED VOLTAGE, CURRENT RATING ARE PER TABLE 1.
 - THE FLOATING BUSH CAN BE MOVED 0.4mm MAX. IN ALL DIRECTIONS.
 - APPLICABLE CONTACTS FOR THIS CONNECTOR ARE PER TABLE 2
 - DIRECTIONS FOR USE
(1) PLEASE DO NOT USE FOR THE PURPOSE OF INTERRUPTING THE CURRENT.
(2) PLEASE USE THIS CONNECTOR IN ENCLOSURE.
 - THE DIMENSION SHOWN IN PARENTHESES () IS FOR REFERENCE.

NO.	MATERIAL	FINISH, REMARKS	NO.	MATERIAL	FINISH, REMARKS
2	BRASS	NICKEL PLATED	3	BRASS	NICKEL PLATED
1	PBT	COLOR:BLACK UL94V-0			

CODE NO. (OLD)	DRAWN	DESIGNED	CHECKED	APPROVED	RELEASED
	T.Watanabe	T.Watanabe	(Miwata)	(Miwata)	
	06.10.24	06.10.24	06.10.24	06.10.24	

DRAWING NO. EDC3-022015-02	PART NO. QR/P1-32S-C(51)
SCALE 2 : 1	CODE NO. CL221-0132-9-51
UNITS mm	

TO
Q

X-ON Electronics

Largest Supplier of Electrical and Electronic Components

Click to view similar products for [Rack & Panel Connectors](#) category:

Click to view products by [Hirose](#) manufacturer:

Other Similar products are found below :

[00171410002](#) [00171420202](#) [00171440002](#) [02-014-013-5200-000](#) [613467-000](#) [CTJ112E01E-513](#) [CTJ116E03A-513](#) [CTJ720E01B-513 L/C](#)
[66020-2](#) [CW8958-000](#) [699886-000](#) [D250-50632](#) [70.400.3240.0](#) [70.955.2453.3](#) [733753-000](#) [F22831-000](#) [780-522-DPX34RG8-02](#) [8660-501](#)
[87.060.0053.0](#) [900709N001](#) [928358-1](#) [D-659-0061](#) [DMC-MD 24 C-T](#) [1-445717-6](#) [1484469-2](#) [1604997-2](#) [MTC100-BF1-P31CS015](#)
[MTC100-KT2-0083](#) [MTC100-KT2-0123-003](#) [MTC100-YA1-005](#) [MTCPQKT1R2PGCA](#) [MTCR-103-04S](#) [MTCX1X-100-100CS025](#)
[1738331-1](#) [1757667-1](#) [1811481-1](#) [1883433-1](#) [201046-7](#) [202648-4](#) [213364-1](#) [226503-000](#) [937028-164](#) [1663130-2](#) [172305-4](#) [F36711-000](#)
[202355-2](#) [202356-2](#) [G16S-A](#) [G20S-AB](#) [CHA-0017-003](#)