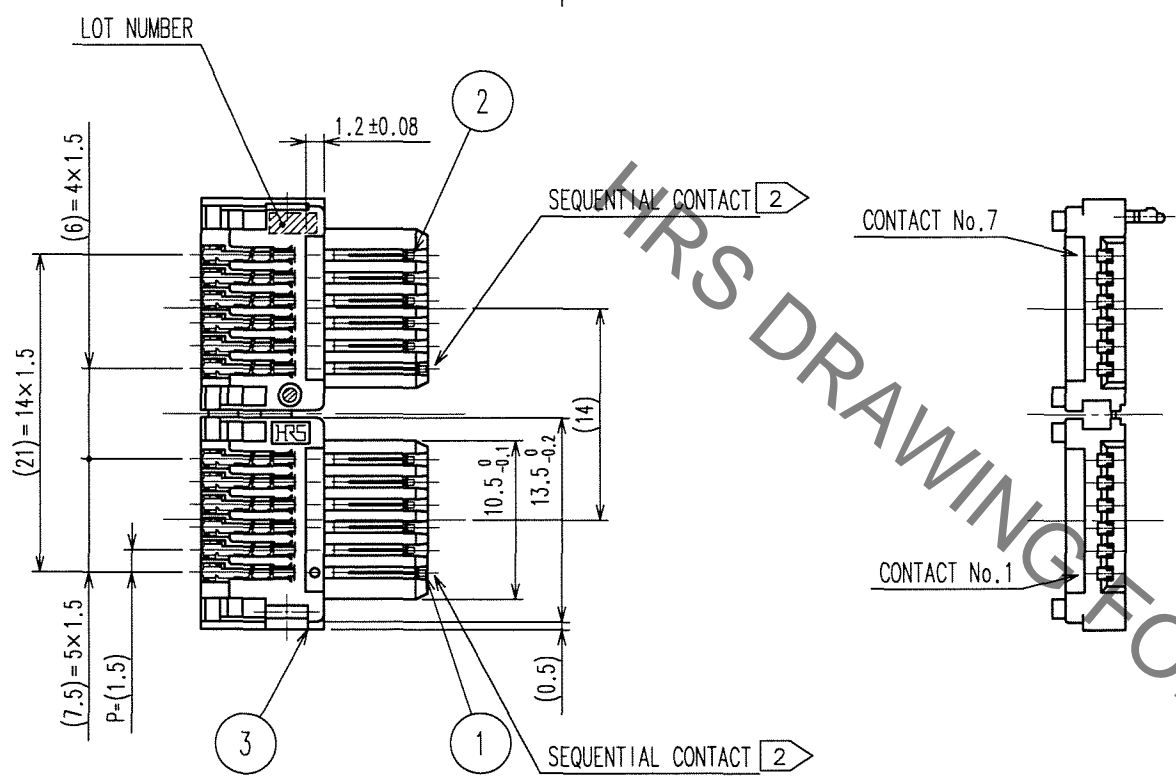
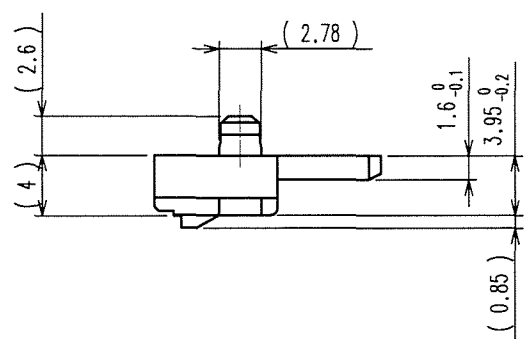
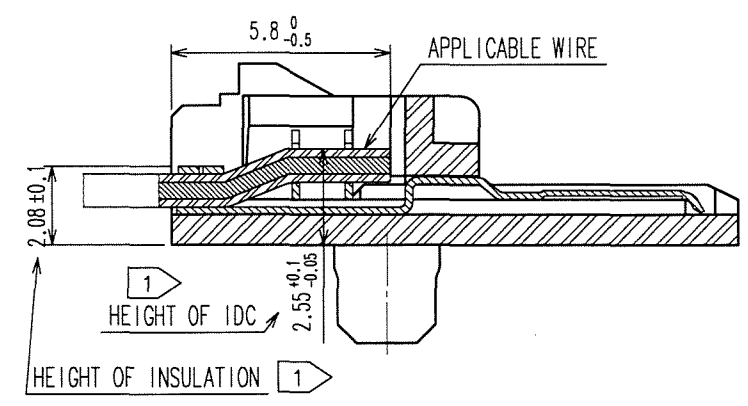


Sep.1.2019 Copyright 2019 HIROSE ELECTRIC CO., LTD. All Rights Reserved.
In case of consideration for using Automotive equipment / device which demand high reliability, kindly contact our sales window correspondents.

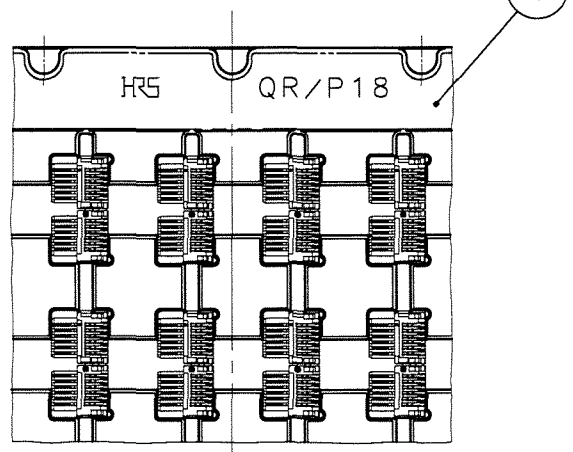
A
B
C
D
E
F



SECTIONAL VIEW OF WIRE ASSEMBLY (5:1)



DRAWING FOR PACKING (1:2)



NOTES
 1 HEIGHT OF IDC AND INSULATION ARE SPECIFIED FOR EACH CABLE TYPE.
 2 EITHER ONE OF THE SEQUENTIAL CONTACTS ARE MATED PRIOR TO THE OTHER CONTACTS AT THE BEGGING OF MATING OPERATION.

COUNT	DESCRIPTION OF REVISIONS	BY	CHKD	DATE	COUNT	DESCRIPTION OF REVISIONS	BY	CHKD	DATE
△					△				
△					△				
△					△				

2	COPPER ALLOY	TERMINAL: GOLD FLASH PLATING CONTACT : GOLD PLATING 0.2μm UNDER : NICKEL PLATING 1μm							
1	COPPER ALLOY	TERMINAL: GOLD FLASH PLATING CONTACT : GOLD PLATING 0.2μm UNDER : NICKEL PLATING 1μm	4	POLYSTYRENE	NATURAL				
			3	POLYAMIDE	BLACK UL94V-0				
NO.	MATERIAL	FINISH, REMARKS	NO.	MATERIAL	FINISH, REMARKS				
CODE NO. (OLD) CL			DRAWN	DESIGNED	CHECKED	APPROVED	RELEASED		
			<i>Y. Sato</i>	<i>M. Itano</i>	<i>Y. Enami</i>	<i>H. Miura</i>			
			07.06.08	07.06.08	07.06.08	07.06.11			
DRAWING NO. EDC3-125279-01			PART NO. QR/P18-12PA						
SCALE 2 : 1			CODE NO. CL221-0291-2						
UNITS mm			HRS HIROSE ELECTRIC CO., LTD						

TO
Q

X-ON Electronics

Largest Supplier of Electrical and Electronic Components

Click to view similar products for [Rack & Panel Connectors](#) category:

Click to view products by [Hirose](#) manufacturer:

Other Similar products are found below :

[00171410002](#) [00171420202](#) [00171440002](#) [02-014-013-5200-000](#) [613467-000](#) [CTJ112E01E-513](#) [CTJ116E03A-513](#) [CTJ720E01B-513](#) [L/C](#)
[66020-2](#) [CW8958-000](#) [699886-000](#) [D250-50632](#) [70.400.3240.0](#) [70.955.2453.3](#) [733753-000](#) [F22831-000](#) [780-522-DPX34RG8-02](#) [8660-501](#)
[87.060.0053.0](#) [900709N001](#) [928358-1](#) [D-659-0061](#) [DMC-MD 24 C-T](#) [1-445717-6](#) [1484469-2](#) [1604997-2](#) [MTC100-BF1-P31CS015](#)
[MTC100-KT2-0083](#) [MTC100-KT2-0123-003](#) [MTC100-YA1-005](#) [MTCPQKT1R2PGCA](#) [MTCR-103-04S](#) [MTCX1X-100-100CS025](#)
[1738331-1](#) [1757667-1](#) [1811481-1](#) [1883433-1](#) [201046-7](#) [202648-4](#) [213364-1](#) [226503-000](#) [937028-164](#) [1663130-2](#) [172305-4](#) [F36711-000](#)
[202355-2](#) [202356-2](#) [G16S-A](#) [G20S-AB](#) [CHA-0017-003](#)