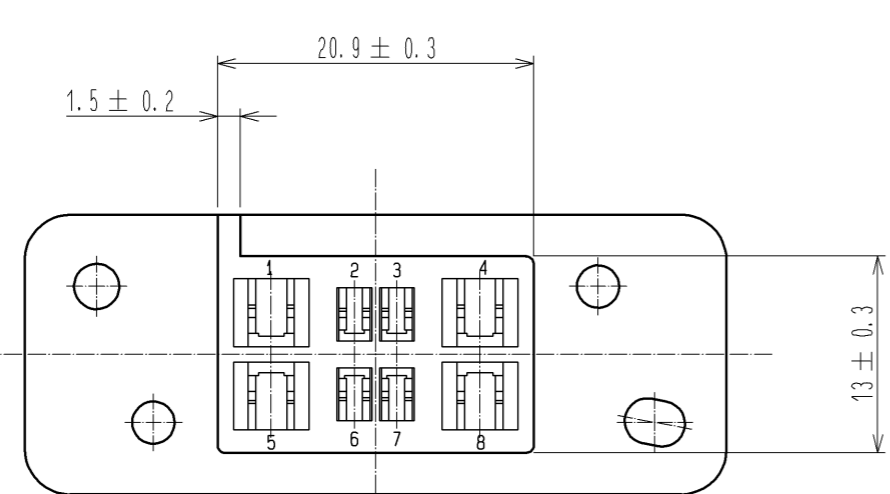
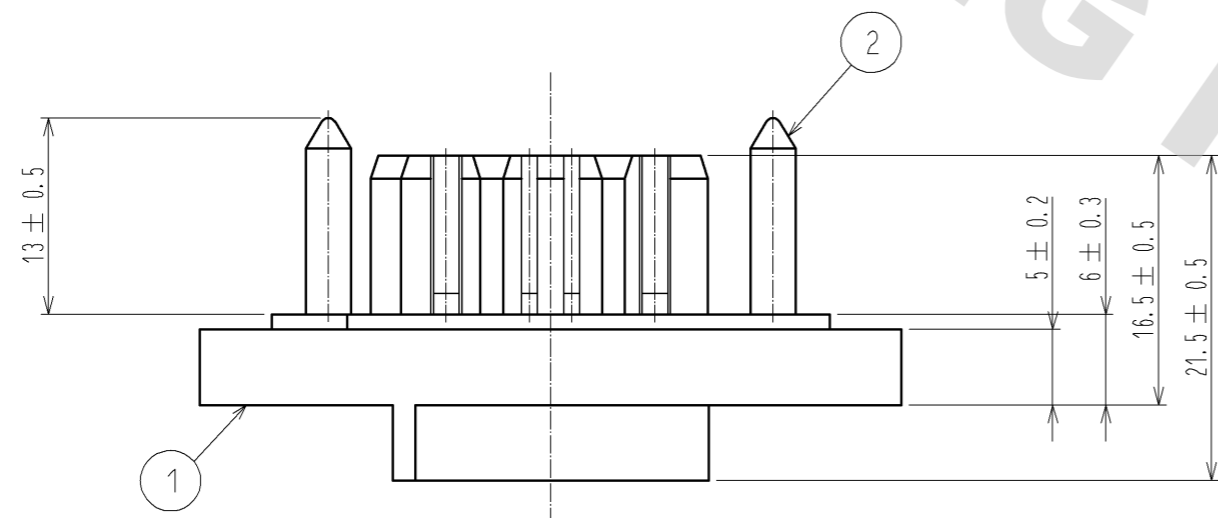
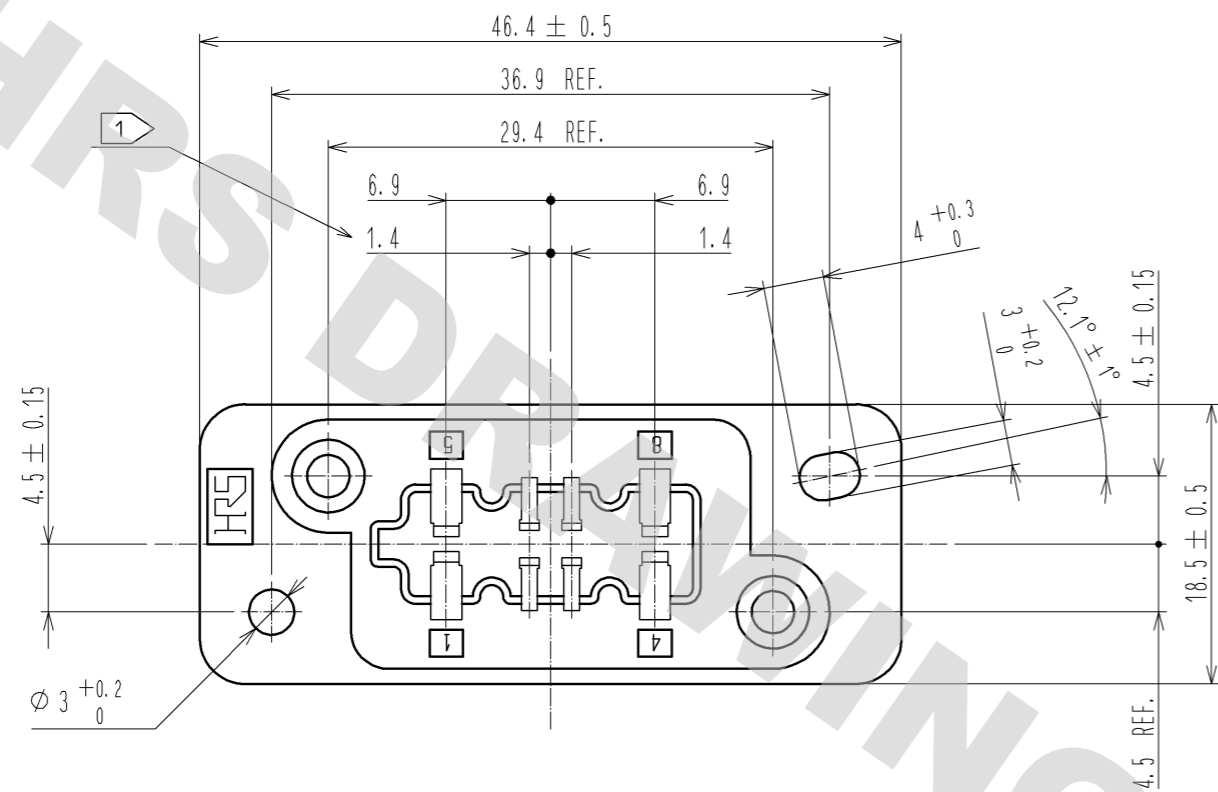


DRAWING FOR REFERENCE: This is subject to change without notice  
08/11/2012



2 TABLE 1

SAFETY STANDARD		UL		CSA		TÜV	
OPERATING TEMPERATURE RANGE		-10~+60°C					
RATED VOLTAGE	No. 1, 4, 5, 8	AC120V	AC250V	AC125V	AC250V	AC250V, DC300V	
	OTHERS					AC125V, DC150V	
CURRENT RATING	AWG #14	10A	3A	10A	3A	10A	
	AWG #16			8A			
	AWG #18	3A	1A	3A	1A	5A	
	AWG #20					2.5A	
	AWG #22						
	AWG #	No. 1, 4, 5, 8	2A	1A	2A	1A	1A
	24	OTHERS					
AWG #26		1A	0.5A	1A	0.5A		
AWG #28							

3 TABLE 2

APPLICABLE CONTACT	AWG No.
QR/P1-PC1A-※11(※)	AWG #18~24
QR/P1-PC1B-※21(※)	AWG #14~16
QR/P1-PC2A-※11(※)	AWG #24~28
QR/P1-PC2B-※21(※)	AWG #20~24

※: 1 INDICATED LOOSE CONTACT  
2 INDICATED CHAIN CONTACT

- NOTES
- 1 THE TOLERANCE FOR EACH TERMINAL HOLE IS ±0.1.
  - 2 OPERATING TEMPERATURE RANGE, RATED VOLTAGE, CURRENT RATING ARE PER TABLE 1.
  - 3 APPLICABLE CONTACTS FOR THIS CONNECTOR ARE PER TABLE 2.
  4. DIRECTIONS FOR USE  
(1) PLEASE DON'T USE FOR THE PURPOSE OF INTERRUPTING THE CURRENT.  
(2) PLEASE USE THIS CONNECTOR IN ENCLOSURE.

1	PBT	UL94V-0 COLOR:BLACK	2	BRASS	NICKEL PLATING 0.8 μM MIN		
NO.	MATERIAL	FINISH, REMARKS	NO.	MATERIAL	FINISH, REMARKS		
UNITS	mm	SCALE	COUNT	DESCRIPTION OF REVISIONS	DESIGNED	CHECKED	DATE
		2 : 1	△				
APPROVED : RI. TAKAYASU		10.06.09	DRAWING NO.		EDC3-021009-01		
CHECKED : YH. ENAMI		10.06.09	PART NO.		QR/P1-8P-C(51)		
DESIGNED : KI. NAGANUMA		10.06.09	CODE NO.		CL221-0124-0-51		
DRAWN : KK. TOKUNAGA		10.06.09					

## X-ON Electronics

Largest Supplier of Electrical and Electronic Components

*Click to view similar products for [Rack & Panel Connectors](#) category:*

*Click to view products by [Hirose](#) manufacturer:*

Other Similar products are found below :

[00171410002](#) [00171420202](#) [00171440002](#) [02-014-013-5200-000](#) [613467-000](#) [CTJ112E01E-513](#) [CTJ116E03A-513](#) [CTJ720E01B-513](#) [L/C](#)  
[66020-2](#) [CW8958-000](#) [699886-000](#) [D250-50632](#) [70.400.3240.0](#) [70.955.2453.3](#) [733753-000](#) [F22831-000](#) [780-522-DPX34RG8-02](#) [8660-501](#)  
[87.060.0053.0](#) [900709N001](#) [928358-1](#) [D-659-0061](#) [DMC-MD 24 C-T](#) [1-445717-6](#) [1484469-2](#) [1604997-2](#) [MTC100-BF1-P31CS015](#)  
[MTC100-KT2-0083](#) [MTC100-KT2-0123-003](#) [MTC100-YA1-005](#) [MTCPQKT1R2PGCA](#) [MTCR-103-04S](#) [MTCX1X-100-100CS025](#)  
[1738331-1](#) [1757667-1](#) [1811481-1](#) [1883433-1](#) [201046-7](#) [202648-4](#) [213364-1](#) [226503-000](#) [937028-164](#) [1663130-2](#) [172305-4](#) [F36711-000](#)  
[202355-2](#) [202356-2](#) [G16S-A](#) [G20S-AB](#) [CHA-0017-003](#)