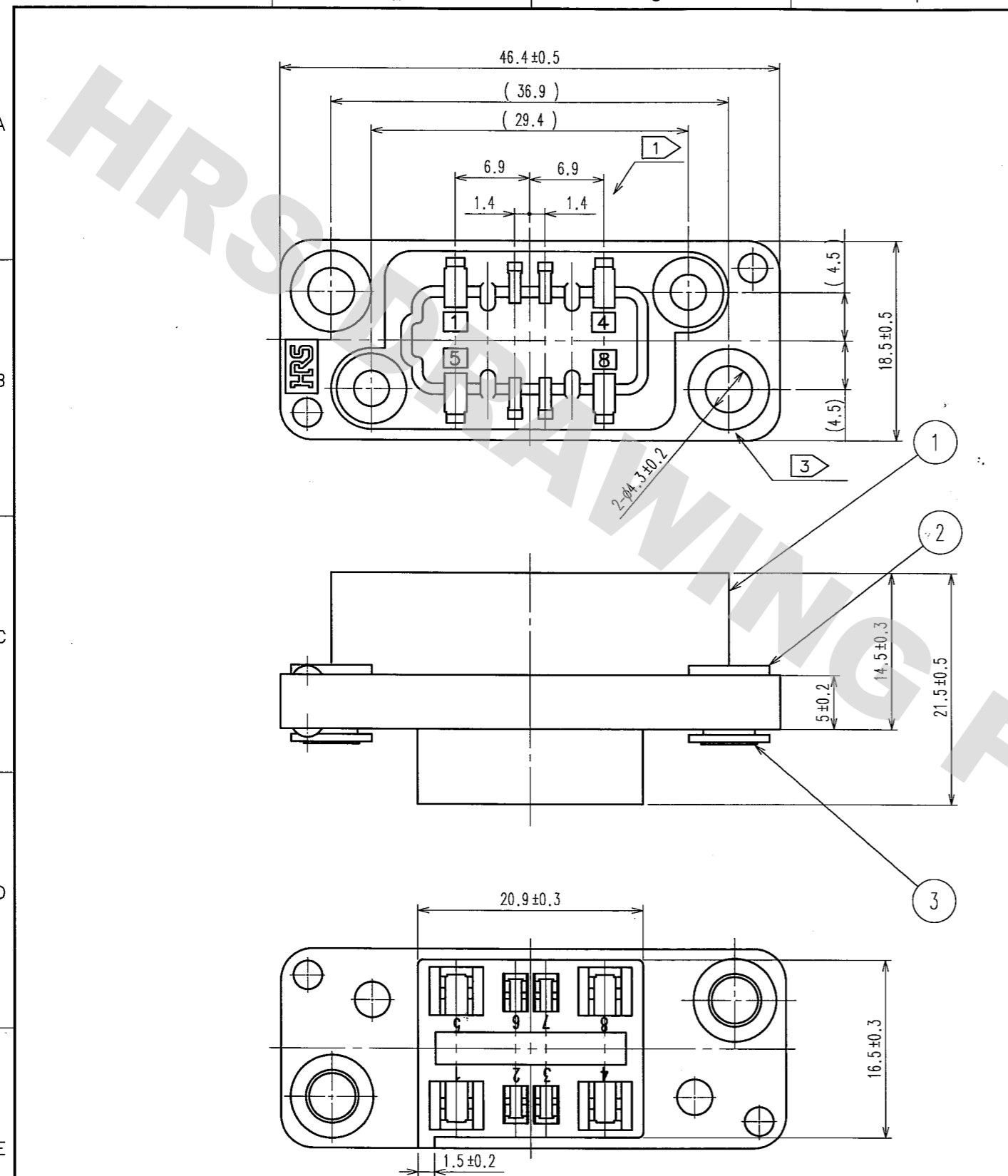


DRAWING FOR REFERENCE: This is subject to change without notice
08/11/2012



- NOTES
- 1 THE TOLERANCE FOR EACH TERMINAL HOLE IS ± 0.1 .
 - 2 OPERATING TEMPERATURE RANGE, RATED VOLTAGE, CURRENT RATING ARE PER TABLE 1.
 - 3 THE FLOATING BUSH CAN BE MOVED 0.4mm MAX. IN ALL DIRECTIONS.
 - 4 APPLICABLE CONTACTS FOR THIS CONNECTOR ARE PER TABLE 2
 - 5 DIRECTIONS FOR USE
 - (1) PLEASE DO NOT USE FOR THE PURPOSE OF INTERRUPTING THE CURRENT.
 - (2) PLEASE USE THIS CONNECTOR IN ENCLOSURE.
 - 6 THE DIMENSION SHOWN IN PARENTHESES () IS FOR REFERENCE.

COUNT	DESCRIPTION OF REVISIONS	BY	CHKD	DATE	COUNT	DESCRIPTION OF REVISIONS	BY	CHKD	DATE
△				..	△				..
△				..	△				..
△				..	△				..

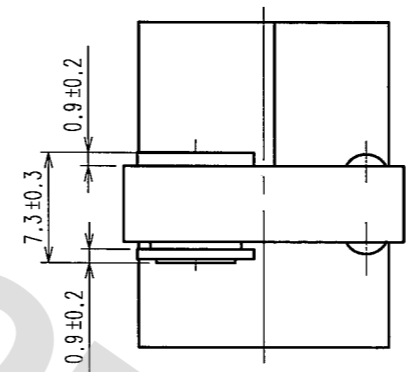
2 TABLE 1

SAFETY STANDARD		UL		CSA		TUV	
OPERATING TEMPERATURE RANGE		-10~+60°C					
LATED VOLTAGE	CONTACT No.1, 4, 5, 8	AC120V	AC250V	AC125V	AC250V	AC250V,DC300V	
	OTHERS					AC125V,DC150V	
CURRENT RATING	AWG # 14	10A	3A	10A	3A	10A	
	AWG # 16			8A			
	AWG # 18						
	AWG # 20	3A	1A	3A	1A	5A	
	AWG # 22					2.5A	
	AWG # 24	2A	1A	2A	1A	1A	
CONTACT No. 1, 4, 5, 8							
OTHERS							
	AWG # 26	1A	0.5A	1A	0.5A		
	AWG # 28						

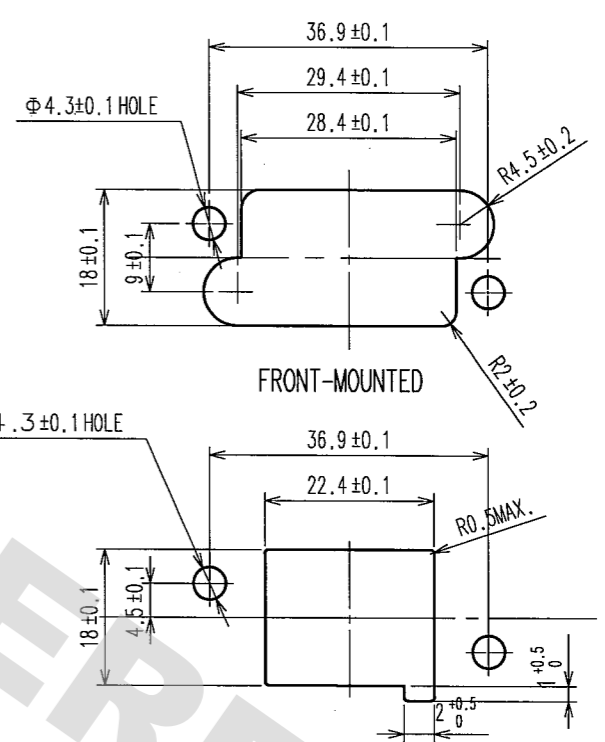
4 TABLE 2

APPLICABLE CONTACT	AWG No.
QR/P1-SC1A-#11	AWG #18~24
QR/P1-SC1B-#21	AWG #14~16
QR/P1-SC2A-#11	AWG #24~28
QR/P1-SC2B-#21	AWG #20~24

* : 1 - LOOSE PIECE CONTACT
2 - STRIP CONTACT



PANEL CUTOUT (1:1)
RESTRAIN A DIFFERENCE IN PUBLIC WITH NO DESIGNATION IN LESS THAN ± 0 .



2	BRASS	NICKEL PLATED			
1	PBT	COLOR:BLACK UL94V-0	3	BRASS	NICKEL PLATED
NO.	MATERIAL	FINISH, REMARKS	NO.	MATERIAL	FINISH, REMARKS
CODE NO. (OLD)			DRAWN	DESIGNED	CHECKED
			<i>J. Watanabe</i> <i>J. Watanabe</i> <i>(Miwata)</i> <i>(Miwata)</i>		
			07-3-13 07-3-13 07-03-13 07-03-13		
DRAWING NO.			PART NO.		
EDC3-021010-01			QR/P1-8S-C(51)		
SCALE			CODE NO.		
2 : 1			CL221-0125-3-51		
UNITS			1/1		
mm			HRS HIROSE ELECTRIC CO., LTD		

TO
Q

X-ON Electronics

Largest Supplier of Electrical and Electronic Components

Click to view similar products for [Rack & Panel Connectors](#) category:

Click to view products by [Hirose](#) manufacturer:

Other Similar products are found below :

[00171410002](#) [00171420202](#) [00171440002](#) [02-014-013-5200-000](#) [613467-000](#) [CTJ112E01E-513](#) [CTJ116E03A-513](#) [CTJ720E01B-513 L/C](#)
[66020-2](#) [CW8958-000](#) [699886-000](#) [D250-50632](#) [70.400.3240.0](#) [70.955.2453.3](#) [733753-000](#) [F22831-000](#) [780-522-DPX34RG8-02](#) [8660-501](#)
[87.060.0053.0](#) [900709N001](#) [928358-1](#) [D-659-0061](#) [DMC-MD 24 C-T](#) [1-445717-6](#) [1484469-2](#) [1604997-2](#) [MTC100-BF1-P31CS015](#)
[MTC100-KT2-0083](#) [MTC100-KT2-0123-003](#) [MTC100-YA1-005](#) [MTCPQKT1R2PGCA](#) [MTCR-103-04S](#) [MTCX1X-100-100CS025](#)
[1738331-1](#) [1757667-1](#) [1811481-1](#) [1883433-1](#) [201046-7](#) [202648-4](#) [213364-1](#) [226503-000](#) [937028-164](#) [1663130-2](#) [172305-4](#) [F36711-000](#)
[202355-2](#) [202356-2](#) [G16S-A](#) [G20S-AB](#) [CHA-0017-003](#)