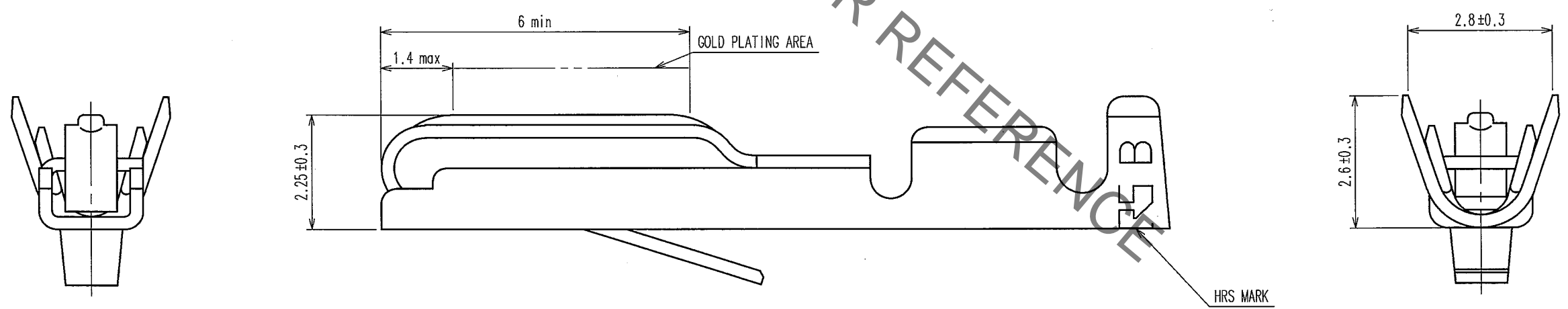
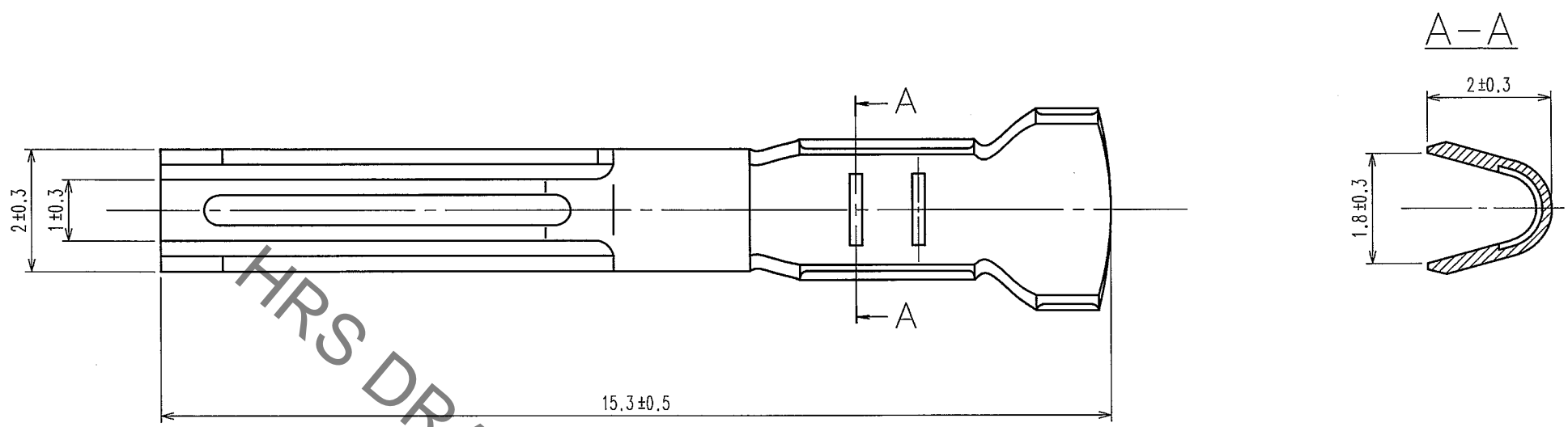


Jun.1.2019 Copyright 2019 HIROSE ELECTRIC CO., LTD. All Rights Reserved.
 case of consideration for using Automotive equipment / device which demand high reliability, kindly contact our sales window correspondents.

5		6			7		8		
COUNT	DESCRIPTION OF REVISIONS	BY	CHKD	DATE	COUNT	DESCRIPTION OF REVISIONS	BY	CHKD	DATE
△				..	△				..
△				..	△				..
△				..	△				..



NOTE 1. THIS CONTACT IS APPLICABLE TO THE WIRES, 20 TO 24.
 HOWEVER, IT CANNOT BE USED FOR A QR/P6 SERIES CONNECTOR.

NO. 1	MATERIAL PHOSHOR BRONZE	FINISH, REMARKS SELECTIVE GOLD PLATING 0.2μm OVER NICKEL PLATING.
NO.	MATERIAL	FINISH, REMARKS
CODE NO. (OLD)	DRAWN <i>H. Yamashita</i>	DESIGNED <i>H. Yamashita</i>
	03.4.7	03.4.7
	CHECKED <i>T. Watanabe</i>	APPROVED <i>K. Miura</i>
	03.4.7	03.4.8
SCALE 10 : 1	DRAWING NO. EDC3-020657-01	PART NO. QR/P1-PC2B-121(12)
UNITS mm	HRS HIROSE ELECTRIC CO., LTD	CODE NO. CL221-0115-0-12
		1/1

Q1	0
Q2	2

X-ON Electronics

Largest Supplier of Electrical and Electronic Components

Click to view similar products for [Rack & Panel Connectors](#) category:

Click to view products by [Hirose](#) manufacturer:

Other Similar products are found below :

[00171410002](#) [00171420202](#) [00171440002](#) [02-014-013-5200-000](#) [613467-000](#) [CTJ112E01E-513](#) [CTJ116E03A-513](#) [CTJ720E01B-513](#) [L/C](#)
[66020-2](#) [CW8958-000](#) [699886-000](#) [D250-50632](#) [70.400.3240.0](#) [70.955.2453.3](#) [733753-000](#) [F22831-000](#) [780-522-DPX34RG8-02](#) [8660-501](#)
[87.060.0053.0](#) [900709N001](#) [928358-1](#) [D-659-0061](#) [DMC-MD 24 C-T](#) [1-445717-6](#) [1484469-2](#) [1604997-2](#) [MTC100-BF1-P31CS015](#)
[MTC100-KT2-0083](#) [MTC100-KT2-0123-003](#) [MTC100-YA1-005](#) [MTCPQKT1R2PGCA](#) [MTCR-103-04S](#) [MTCX1X-100-100CS025](#)
[1738331-1](#) [1757667-1](#) [1811481-1](#) [1883433-1](#) [201046-7](#) [202648-4](#) [213364-1](#) [226503-000](#) [937028-164](#) [1663130-2](#) [172305-4](#) [F36711-000](#)
[202355-2](#) [202356-2](#) [G16S-A](#) [G20S-AB](#) [CHA-0017-003](#)