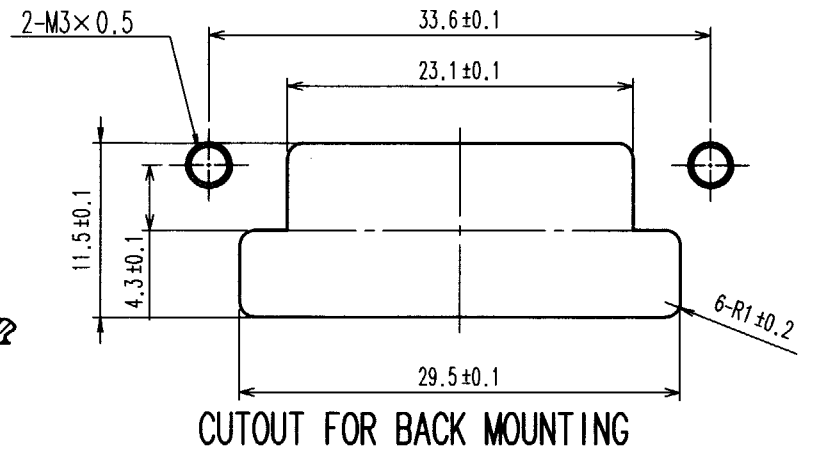
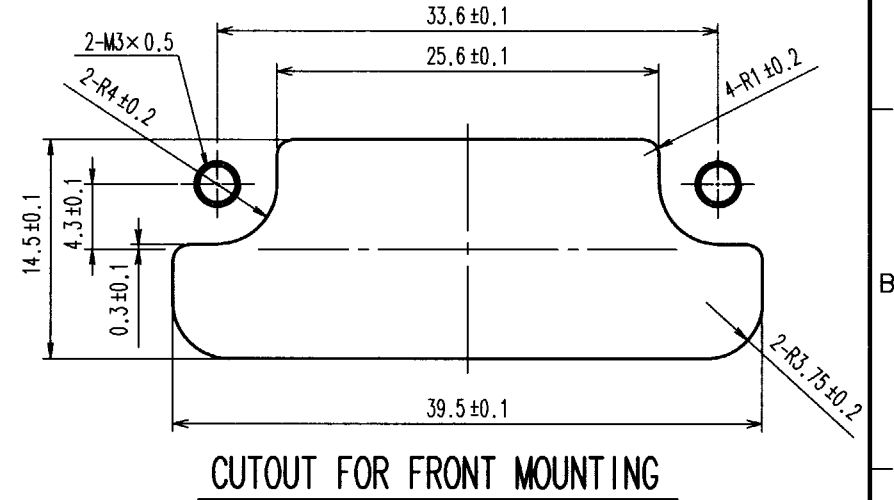
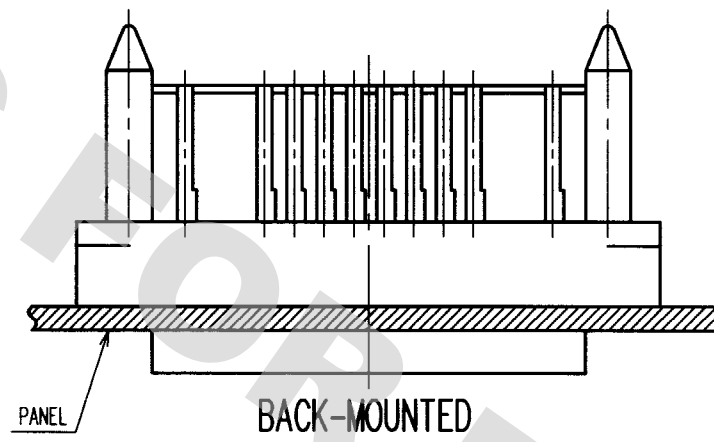
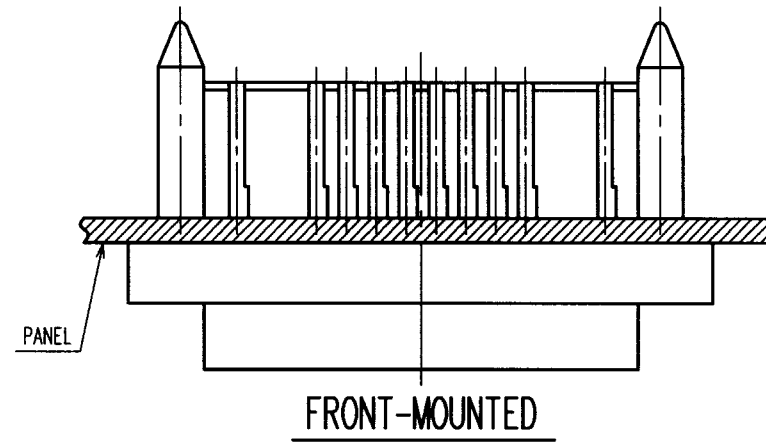
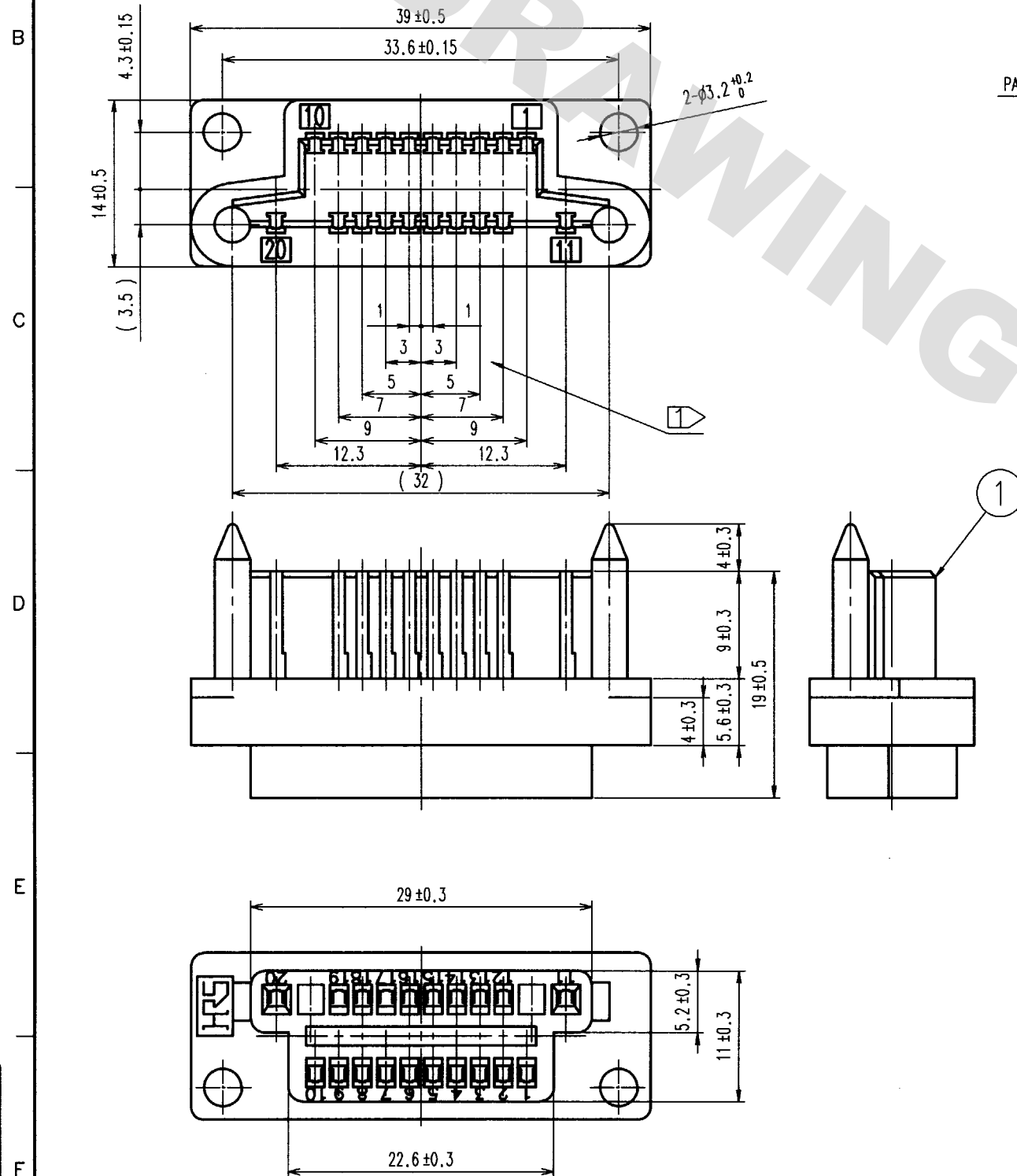


DRAWING FOR REFERENCE: This is subject to change without notice
08/11/2012

3 TABLE 1

OPERATING TEMPERATURE RANGE	APPLICABLE CONTACTS	AWGNO.	UL, CSA	TUV	CONTACT NO
RATED VOLTAGE	—	—	-10~60°C		11, 20
			300V AC	AC 380V DC 450V	
CURRENT RATING	QR/P8- SC-※ 11	AWG#20	3A	2.5A	11, 20
		AWG#22	3A	1A	
		AWG#24	2A	1A	
	QR/P8- SC-※ 21	AWG#24	2A	1A	1~20
		AWG#26	1A	1A	
		AWG#28	1A	—	

※: 1 SHOWS LOOSE CONTACT 2 SHOWS STRIP CONTACT.



- 注 ① THE TOLERANCE FOR EACH TERMINAL HOLE IS ±0.1.
 ② THE DIMENSION SHOWN IN THE PARENTHESIS IS JUST FOR REFERENCE.
 ③ OPERATING TEMPERATURE RANGE, RATED VOLTAGE, CURRENT RATING ARE PER TABLE 1.
 ④ CONNECTOR TO BE MOVED BY MAX 0.4mm IN EVERY DIRECTION.
 ⑤ DIRECTIONS FOR USE.
 (1) PLEASE DON'T USE FOR THE PURPOSE OF INTERRUPTING THE CURRENT.
 (2) PLEASE USE THIS CONNECTOR IN ENCLOSURE OR UNIT.

1	POLYCARBONATE	UL94V-0(BLACK)					
NO.	MATERIAL	FINISH, REMARKS	NO.	MATERIAL	FINISH, REMARKS		
CODE NO. (OLD)			DRAWN	DESIGNED	CHECKED	APPROVED	RELEASED
			Y. KONDO '01.04.06	Y. KONDO '01.04.06	T. WATANABE '01.04.06	H. MIWA '01.04.06	..
DRAWING NO. EDC3-027645-01			PART NO. QR/P8-20P-C(01)				
SCALE 2 : 1			CODE NO. CL221-0171-0-01				1/1
UNITS mm			HRS HIROSE ELECTRIC CO., LTD				

TO
Q2

X-ON Electronics

Largest Supplier of Electrical and Electronic Components

Click to view similar products for [Rack & Panel Connectors](#) category:

Click to view products by [Hirose](#) manufacturer:

Other Similar products are found below :

[00171410002](#) [00171420202](#) [00171440002](#) [02-014-013-5200-000](#) [613467-000](#) [CTJ112E01E-513](#) [CTJ116E03A-513](#) [CTJ720E01B-513 L/C](#)
[66020-2](#) [CW8958-000](#) [699886-000](#) [D250-50632](#) [70.400.3240.0](#) [70.955.2453.3](#) [733753-000](#) [F22831-000](#) [780-522-DPX34RG8-02](#) [8660-501](#)
[87.060.0053.0](#) [900709N001](#) [928358-1](#) [D-659-0061](#) [DMC-MD 24 C-T](#) [1-445717-6](#) [1484469-2](#) [1604997-2](#) [MTC100-BF1-P31CS015](#)
[MTC100-KT2-0083](#) [MTC100-KT2-0123-003](#) [MTC100-YA1-005](#) [MTCPQKT1R2PGCA](#) [MTCR-103-04S](#) [MTCX1X-100-100CS025](#)
[1738331-1](#) [1757667-1](#) [1811481-1](#) [1883433-1](#) [201046-7](#) [202648-4](#) [213364-1](#) [226503-000](#) [937028-164](#) [1663130-2](#) [172305-4](#) [F36711-000](#)
[202355-2](#) [202356-2](#) [G20S-AB](#) [CHA-0017-003](#) [CHA-0296](#)