

DRAWING FOR REFERENCE: This is subject to change without notice
08/11/2012

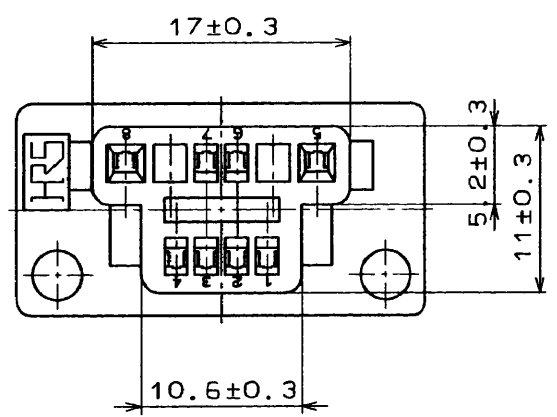
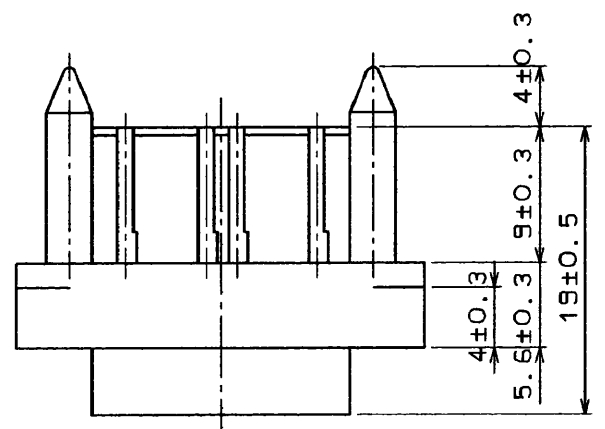
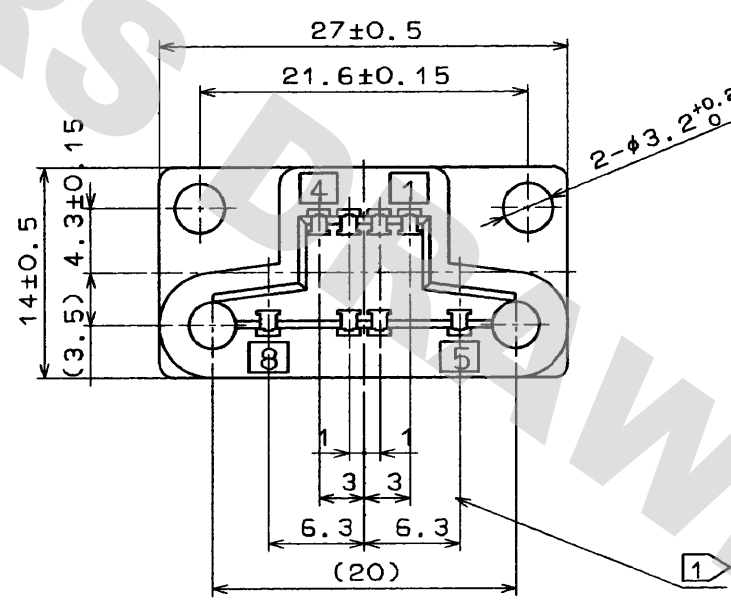
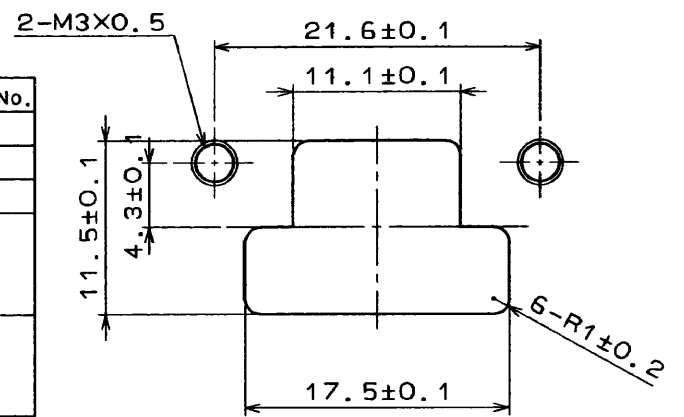


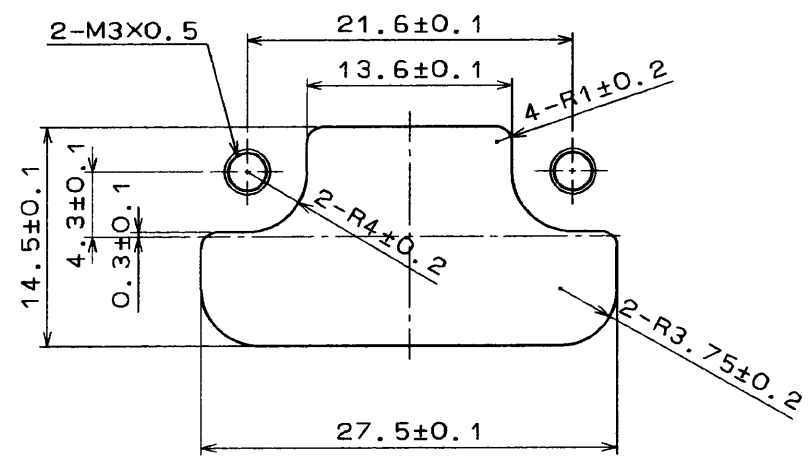
TABLE 1

	APPLICABLE CONTACTS	AWG No.	UL, CSA	TUV	CONTACT No.
TEMPERATURE RATING	—	—	-10~60°C		—
OPERATING VOLTAGE	—	—	300V AC	AC 380V	5.8
			30V AC	DC 450V	
CURRENT RATING	QR/P8-PC-#11	AWG #20	3A	2.5A	5.8
		AWG #22	3A	1A	
	QR/P8-PC-#21	AWG #24	2A	1A	1~8
		AWG #26	1A	1A	
		AWG #28	1A		

*:1 SHOWS STRIP TERMINAL AND 2 SHOWS LOOSE PIECE TERMINAL.



CUTOUT FOR FRONT MOUNTING



CUTOUT FOR REAR MOUNTING

- NOTES
- 1 THE TOLERANCE FOR EACH TERMINAL HOLE IS ±0.1.
 2. THE DIMENSIONS SHOWN IN THE PARENTHESIS IS JUST FOR REFERENCE.
 - 3 TEMPERATURE RATING, OPERATING VOLTAGE, CURRENT RATING ARE PER TABLE 1.
 4. DIRECTIONS FOR USE.
(1) DON'T USE ON PURPOSE OF INTERRUPTING THE CURRENT.
(2) USE THIS CONNECTOR IN ENCLOSURE OR UNIT.

NO. 1		POLYCARBONATE		UL94V-0(BLACK)	
MATERIAL		FINISH, REMARKS		MATERIAL	
CODE NO. (OLD)		DRAWN	DESIGNED	CHECKED	APPROVED
		J. Kamaya	J. Kamaya	H. Miwa	A. Nakayama
		94.4.12	94.4.12	94.4.12	94.4.12
DRAWING NO. EDC3-027641			PART NO. QR/P8-8P-C(01)		
UNITS mm			CODE NO. CL221-0167-3-01		1/1

X-ON Electronics

Largest Supplier of Electrical and Electronic Components

Click to view similar products for [Rack & Panel Connectors](#) category:

Click to view products by [Hirose](#) manufacturer:

Other Similar products are found below :

[00171410002](#) [00171420202](#) [00171440002](#) [02-014-013-5200-000](#) [613467-000](#) [CTJ112E01E-513](#) [CTJ116E03A-513](#) [CTJ720E01B-513](#) [L/C](#)
[66020-2](#) [CW8958-000](#) [699886-000](#) [D250-50632](#) [70.400.3240.0](#) [70.955.2453.3](#) [733753-000](#) [F22831-000](#) [780-522-DPX34RG8-02](#) [8660-501](#)
[87.060.0053.0](#) [900709N001](#) [928358-1](#) [D-659-0061](#) [DMC-MD 24 C-T](#) [1-445717-6](#) [1484469-2](#) [1604997-2](#) [MTC100-BF1-P31CS015](#)
[MTC100-KT2-0083](#) [MTC100-KT2-0123-003](#) [MTC100-YA1-005](#) [MTCPQKT1R2PGCA](#) [MTCR-103-04S](#) [MTCX1X-100-100CS025](#)
[1738331-1](#) [1757667-1](#) [1811481-1](#) [1883433-1](#) [201046-7](#) [202648-4](#) [213364-1](#) [226503-000](#) [937028-164](#) [1663130-2](#) [172305-4](#) [F36711-000](#)
[202355-2](#) [202356-2](#) [G16S-A](#) [G20S-AB](#) [CHA-0017-003](#)