

COUNT	DESCRIPTION OF REVISIONS	BY	CHKD	DATE	COUNT	DESCRIPTION OF REVISIONS	BY	CHKD	DATE
△					△				
△					△				
△					△				

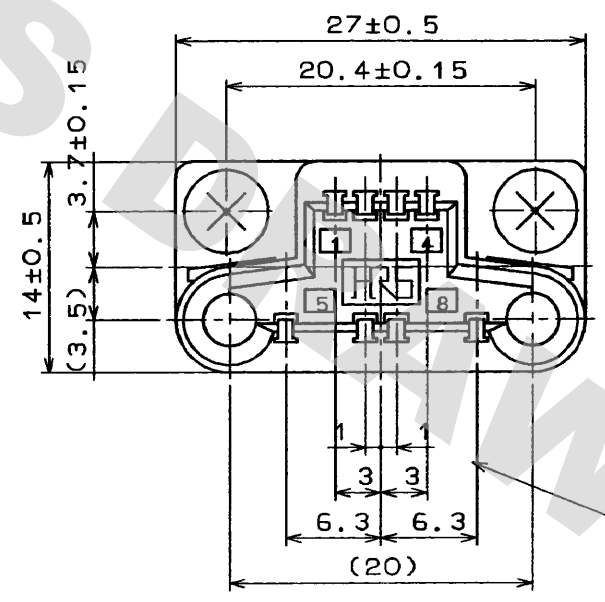
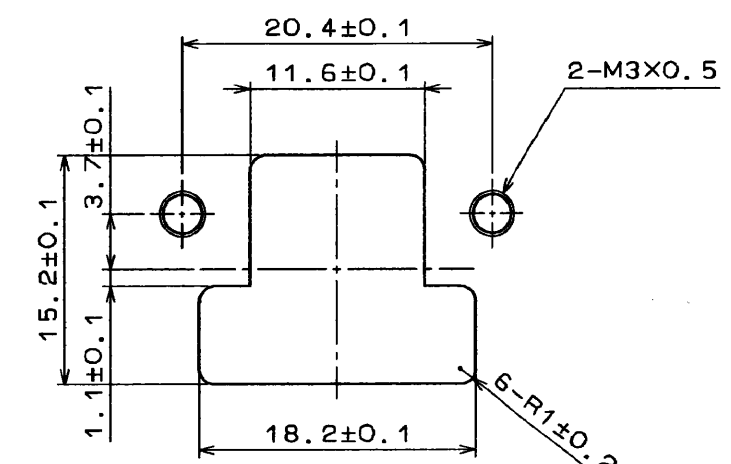


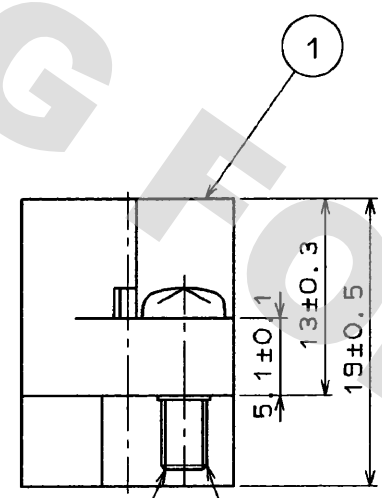
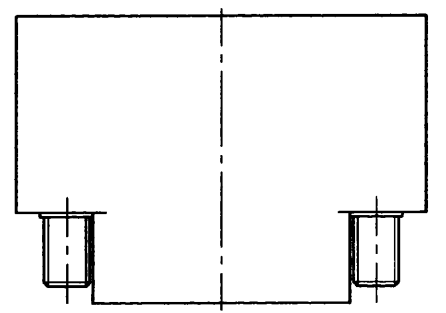
TABLE 1

	APPLICABLE CONTACT	AWG No.	UL, CSA	TUV	CONTACT No.
TEMPERATURE RATING			-10~60°C		
OPERATING VOLTAGE			300V AC	AC 380V	5, 8
			30V AC	DC 450V AC 30V DC 36V	1~8
CURRENT RATING	QR/P8-SC-#11	AWG #20	3A	2.5A	5, 8
		AWG #22	3A	1A	
	QR/P8-SC-#21	AWG #24	2A	1A	1~8
		AWG #26	1A	1A	
		AWG #28	1A		

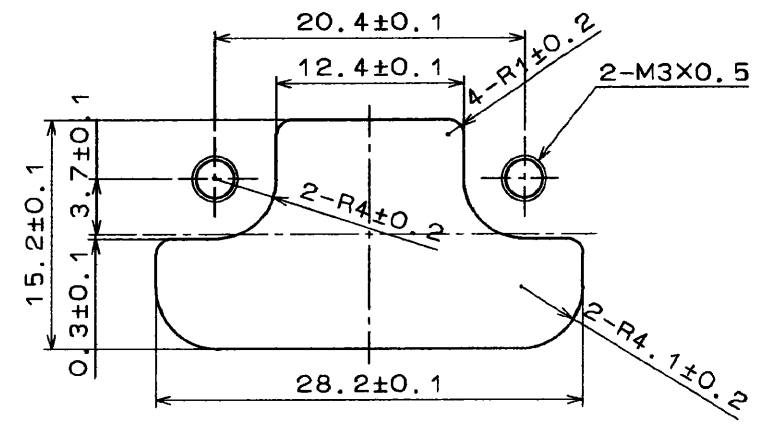
*: 1 SHOWS STRIP TERMINAL AND 2 SHOWS LOOSE PIECE TERMINAL.



CUTOUT FOR FRONT MOUNTING



M3X0.5
THE ATTACHED PART



CUTOUT FOR REAR MOUNTING

- NOTES
- THE TOLERANCE FOR EACH TERMINAL HOLE IS ± 0.1 .
 - THE DIMENSION SHOWN IN PARENTHESIS ARE FOR REFERENCE.
 - TEMPERATURE RATING, OPERATING VOLTAGE, CURRENT RATING ARE PER TABLE 1.
 - CONNECTOR CAN BE MOVED OVER 0.4 IN ALL DIRECTIONS.
 - DIRECTIONS FOR USE
 - DON'T USE ON PURPOSE OF INTERRUPTING THE CURRENT.
 - USE THIS CONNECTOR IN ENCLOSURE OR UNIT.

1	POLYCARBONATE	UL94V-0 (BLACK)	2	STEEL	NICKEL PLATING (SCREW)
NO.	MATERIAL	FINISH, REMARKS	NO.	MATERIAL	FINISH, REMARKS
CODE NO. (OLD)			DRAWN	DESIGNED	CHECKED
			J. Kameya	J. Kameya	H. Miwa
			94.4.12	94.4.12	94.4.12
			APPROVED	RELEASED	
			A. Nakayama		
			94.4.12		
DRAWING NO.			PART NO.		
EDC3-027642			QR/P8-8S-C(O1)		
SCALE			CODE NO.		
2:1			CL221-0168-6-01		
UNITS			1/1		
mm			HRS HIROSE ELECTRIC CO., LTD.		

DRAWING FOR REFERENCE: This is subject to change without notice 08/11/2012

TO
Q2

X-ON Electronics

Largest Supplier of Electrical and Electronic Components

Click to view similar products for [Rack & Panel Connectors](#) category:

Click to view products by [Hirose](#) manufacturer:

Other Similar products are found below :

[00171410002](#) [00171420202](#) [00171440002](#) [02-014-013-5200-000](#) [613467-000](#) [CTJ112E01E-513](#) [CTJ116E03A-513](#) [CTJ720E01B-513 L/C](#)
[66020-2](#) [CW8958-000](#) [699886-000](#) [D250-50632](#) [70.400.3240.0](#) [70.955.2453.3](#) [733753-000](#) [F22831-000](#) [780-522-DPX34RG8-02](#) [8660-501](#)
[87.060.0053.0](#) [900709N001](#) [928358-1](#) [D-659-0061](#) [DMC-MD 24 C-T](#) [1-445717-6](#) [1484469-2](#) [1604997-2](#) [MTC100-BF1-P31CS015](#)
[MTC100-KT2-0083](#) [MTC100-KT2-0123-003](#) [MTC100-YA1-005](#) [MTCPQKT1R2PGCA](#) [MTCR-103-04S](#) [MTCX1X-100-100CS025](#)
[1738331-1](#) [1757667-1](#) [1811481-1](#) [1883433-1](#) [201046-7](#) [202648-4](#) [213364-1](#) [226503-000](#) [937028-164](#) [1663130-2](#) [172305-4](#) [F36711-000](#)
[202355-2](#) [202356-2](#) [G20S-AB](#) [CHA-0017-003](#) [CHA-0296](#)