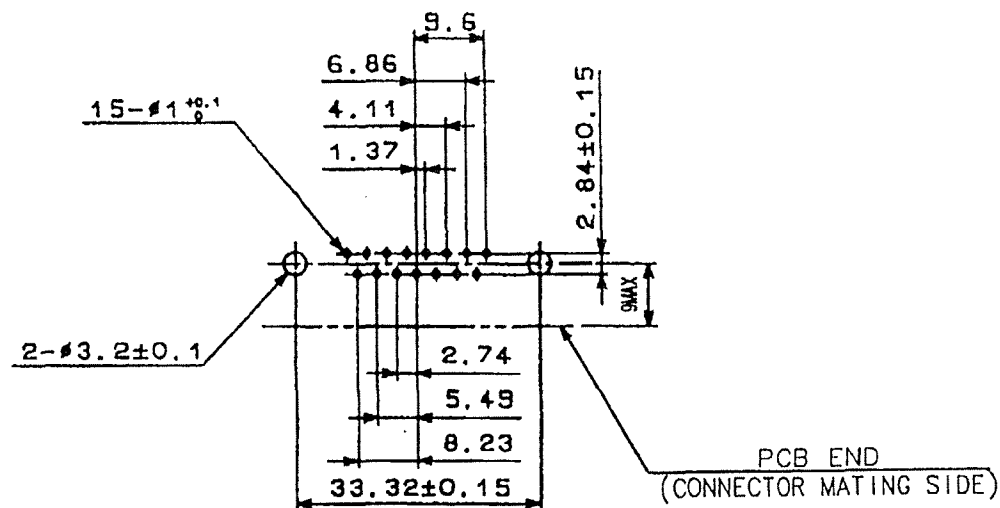
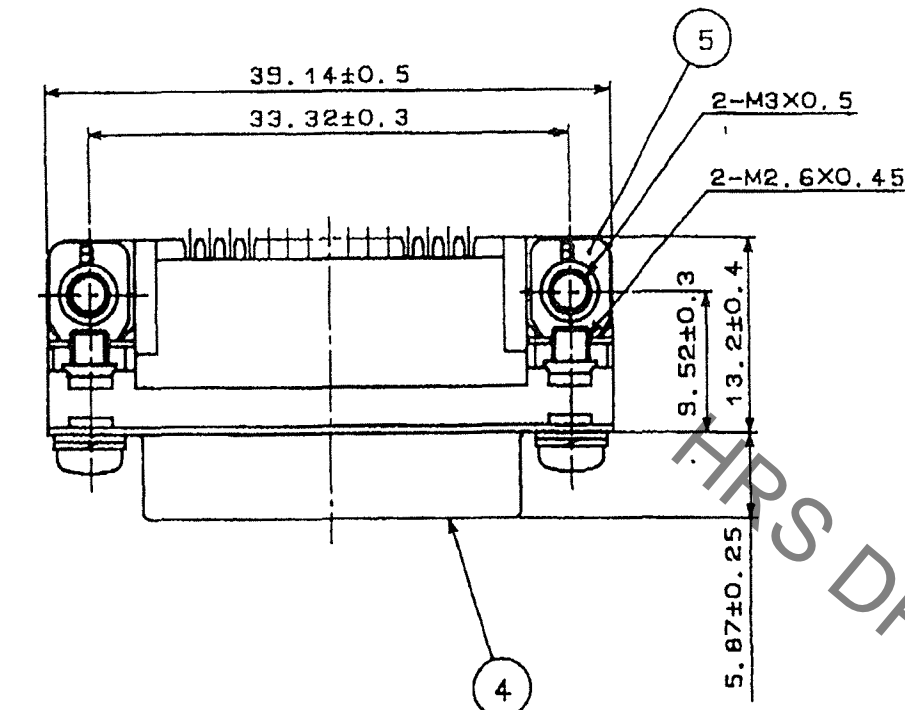


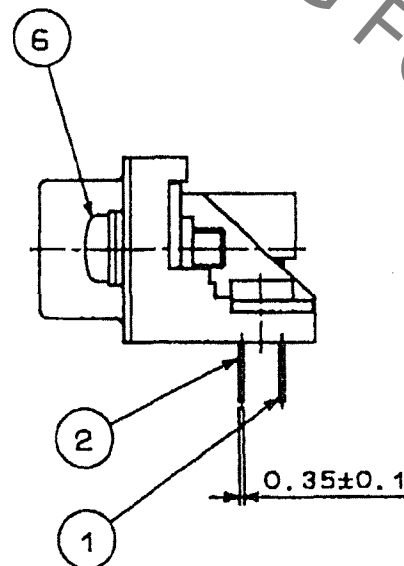
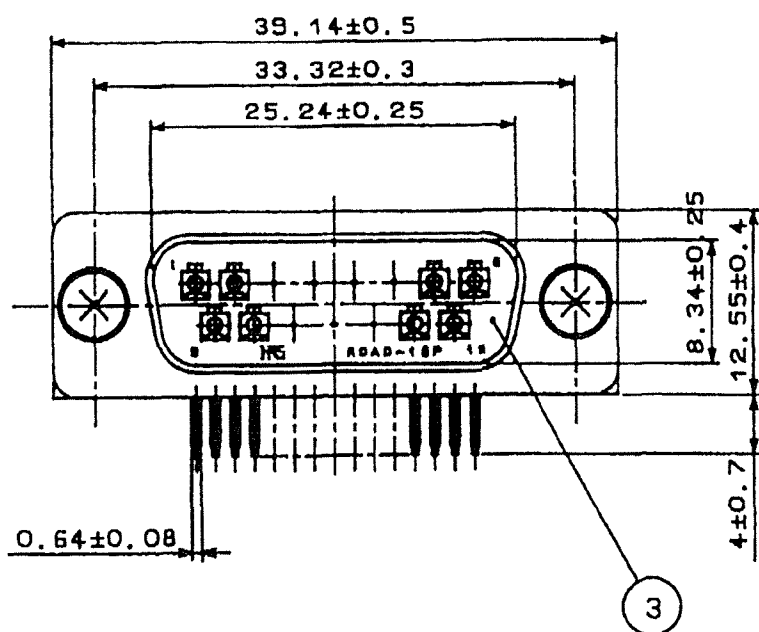
Sep.1.2021 Copyright 2021 HIROSE ELECTRIC CO., LTD. All Rights Reserved.
In case of consideration for using Automotive equipment / device which demand high reliability, kindly contact our sales window correspondents.

COUNT	DESCRIPTION OF REVISIONS	BY	CHKD	DATE	COUNT	DESCRIPTION OF REVISIONS	BY	CHKD	DATE
4	DIS-E-001215	Y.S	Y.E	07.02.22					



NOTE. PLEASE KEEP THE TOLERANCE TO LESS THAN ± 0.1 FOR THE DIMENSIONS WITHOUT TOLERANCE.

RECOMMENDED PC BOARD HOLE PATTERN
(SCALE 1:1)



3	PBT	UL94V-0(BLACK)	6	STEEL	NICKEL PLATING 0.8 μ m
1~2	PHOSPHOR BRONZE	CONTACT:GOLD PLATING 0.2 μ m DIP:GOLD PLATING 0.03 μ m UNDER:NICKEL PLATING 2 μ m	5	STEEL	NICKEL PLATING 2 μ m UNDER:COPPER PLATING 1 μ m
			4	STEEL	NICKEL PLATING 1 μ m UNDER:COPPER PLATING 5 μ m

NO.	MATERIAL	FINISH, REMARKS	NO.	MATERIAL	FINISH, REMARKS
3	PBT	UL94V-0(BLACK)	6	STEEL	NICKEL PLATING 0.8 μ m
1~2	PHOSPHOR BRONZE	CONTACT:GOLD PLATING 0.2 μ m DIP:GOLD PLATING 0.03 μ m UNDER:NICKEL PLATING 2 μ m	5	STEEL	NICKEL PLATING 2 μ m UNDER:COPPER PLATING 1 μ m
			4	STEEL	NICKEL PLATING 1 μ m UNDER:COPPER PLATING 5 μ m

CODE NO. (OLD)	CL	DRAWN	DESIGNED	CHECKED	APPROVED	RELEASED
		T.KAMEYA	T.KAMEYA	Y.ENAMI	H.MIWA	
		03.07.18	03.07.18	03.07.18	03.07.18	

SCALE	2 : 1	DRAWING NO.	EDC3-021971-02	PART NO.	RDAD-15P(55)
UNITS	mm			CODE NO.	CL211-0496-8-55

TO
Q

X-ON Electronics

Largest Supplier of Electrical and Electronic Components

Click to view similar products for [D-Sub Standard Connectors](#) category:

Click to view products by [Hirose](#) manufacturer:

Other Similar products are found below :

[56F706-005-LI](#) [56F711-015](#) [012-9507-004](#) [LV242999-142T12](#) [015-0341-000](#) [015-0372-005](#) [015-0372-008](#) [015-8755-001](#) [020419-0104](#)
[012-0467-000](#) [012-9507-034](#) [012-9507-114](#) [020745-0008](#) [609-25P](#) [CT2-18-11PCAU](#) [CT6-10SL-3SC](#) [CT6-10SL-4SC](#) [CT6-14S-2SC](#)
[CT6E14SA7SC](#) [CT6N10SL-4SSA34](#) [M83513/01-FC](#) [M83723/76W24619 L/C](#) [M85049/48-3-2F](#) [6STD09PCM99B70X](#) [6STD09SCM99B30X](#)
[6STD09SCT99S40X](#) [6STD15PCT99S40X](#) [6STD15SCT99S40X](#) [6STF09PCM05B70X](#) [7-135760-9](#) [MC11E-10-6SN](#) [747552-3](#) [MD1-21PS](#)
[MDM-15SCBRM7-F222](#) [MDM96517-699](#) [MDM96521-744](#) [MDVB1-21SL1](#) [MIK0-1-7SH003](#) [MIKQ6-7SH076](#) [MIKQ7-7PH077](#) [MIKQ7-](#)
[7PH11](#) [MIKQ7-7PH32](#) [MJSV-28SL61](#) [MKJ4A1F14-55S](#) [8-135760-3](#) [8STD09PCM99B30X](#) [PG-KV/PV-16-GROM-SEALING](#) [GDA15P](#)
[GDAY15PB](#) [980-0000-170](#)