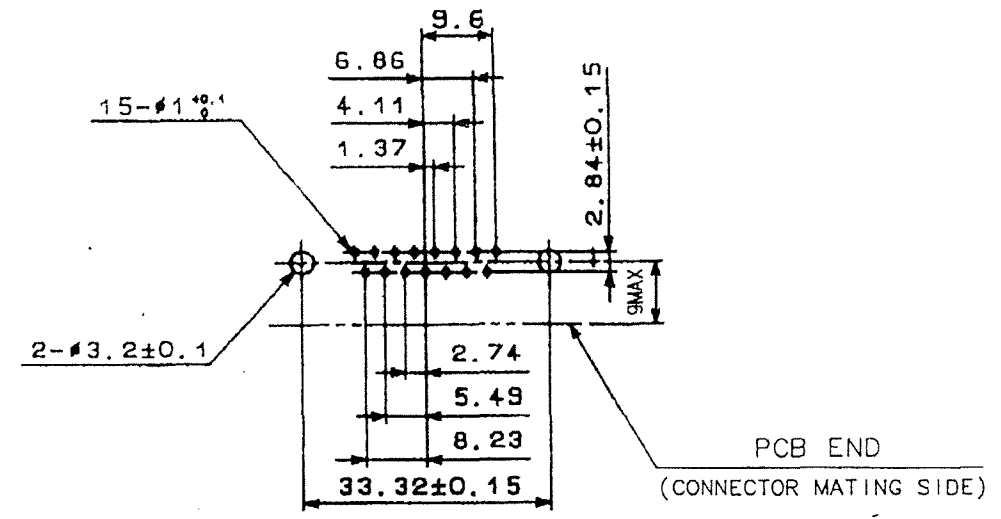
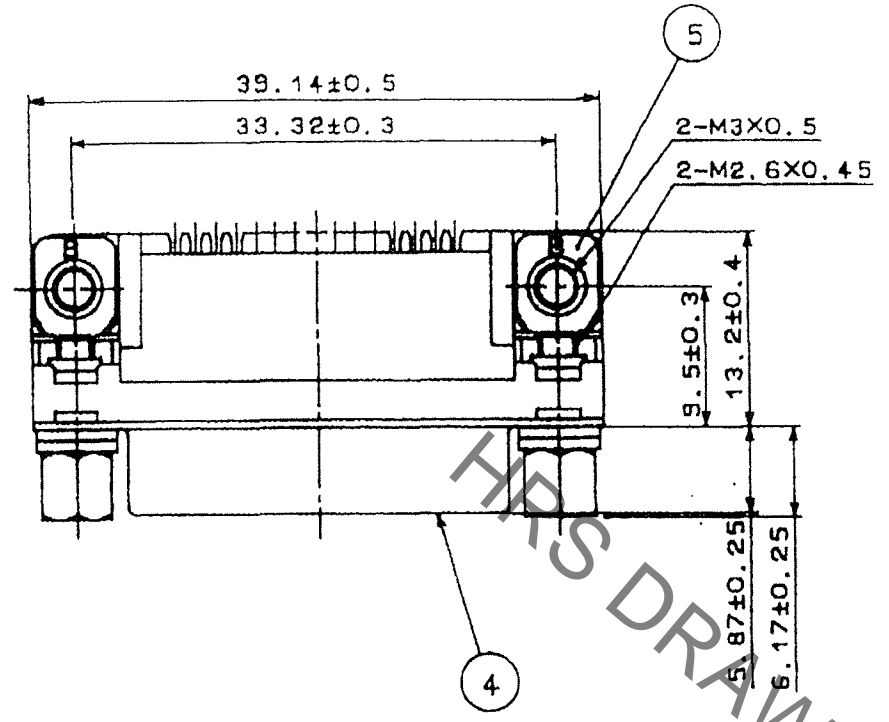


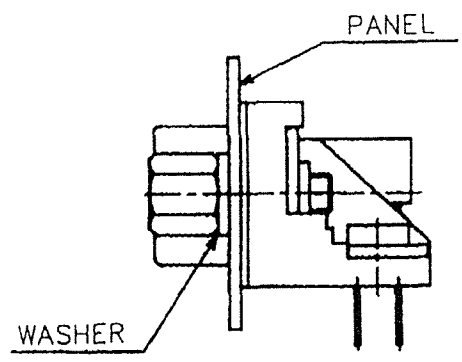
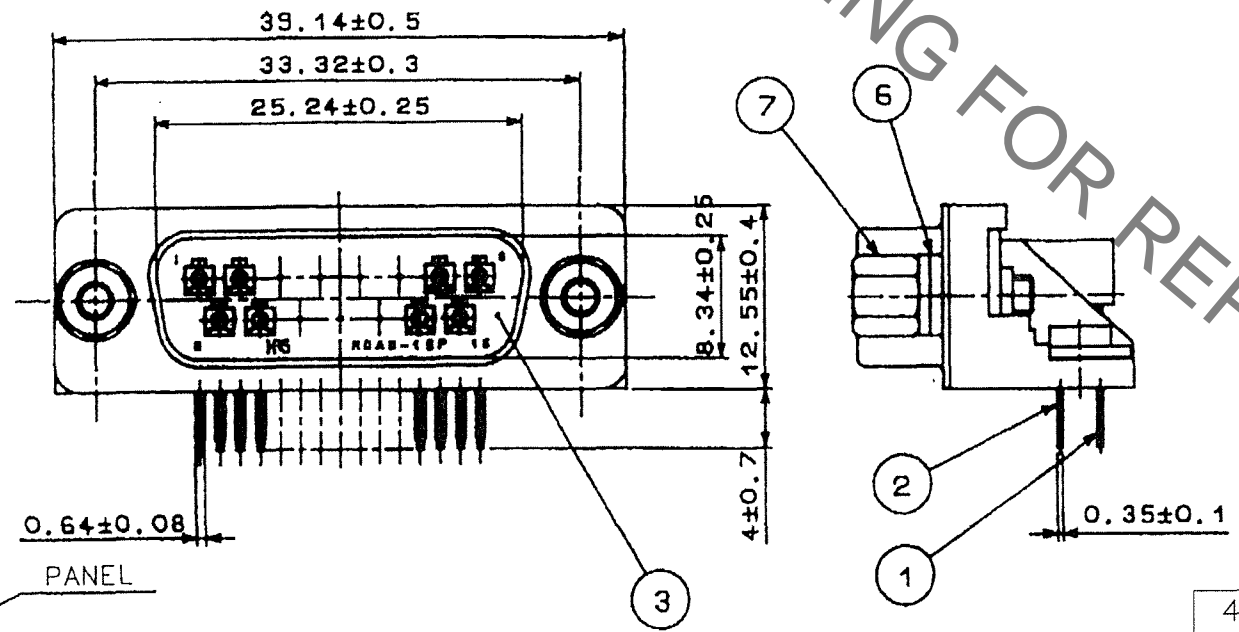
Sep.1.2021 Copyright 2021 HIROSE ELECTRIC CO., LTD. All Rights Reserved.
In case of consideration for using Automotive equipment / device which demand high reliability, kindly contact our sales window correspondents.

COUNT	DESCRIPTION OF REVISIONS	BY	CHKD	DATE	COUNT	DESCRIPTION OF REVISIONS	BY	CHKD	DATE
5	DIS-E-001215	Y.S	Y.E	07.02.22					



NOTE. PLEASE KEEP THE TOLERANCE TO LESS THAN ±0.1 FOR THE DIMENSIONS WITHOUT TOLERANCE.

RECOMMENDED PC BOARD HOLE PATTERN
(SCALE 1:1)



REMOVE ONE WASHER FOR 0.8-1.2 OF PANEL THICKNESS. REMOVE TWO WASHERS FOR 1.6 OF PANEL THICKNESS.

PATTERN OF MOUNTING CONNECTOR ON PCB

4	STEEL	NICKEL PLATING 1μm UNDER: COPPER PLATING 5μm	7	STEEL	NICKEL PLATING 2μm UNDER: COPPER PLATING 1μm
3	PBT	UL94V-0(BLACK)	6	STEEL	NICKEL PLATING 2μm UNDER: COPPER PLATING 3μm
1, 2	PHOSPHOR BRONZE	CONTACT: GOLD PLATING 0.2μm DIP: GOLD PLATING 0.03μm UNDER: NICKEL PLATING 2μm	5	STEEL	NICKEL PLATING 2μm UNDER: COPPER PLATING 1μm
NO.	MATERIAL	FINISH, REMARKS	NO.	MATERIAL	FINISH, REMARKS

CODE NO. (OLD) CL	DRAWN T.KAMEYA 03.07.31	DESIGNED T.KAMEYA 03.07.31	CHECKED Y.ENAMI 03.08.04	APPROVED H.MIWA 03.08.05	RELEASED .
----------------------	-------------------------------	----------------------------------	--------------------------------	--------------------------------	---------------

SCALE 2 : 1	DRAWING NO. EDC3-021973-02	PART NO. RDAD-15P-LNA(55)
UNITS mm	HIROSE ELECTRIC CO., LTD	CODE NO. CL211-0498-3-55

TO
Q

X-ON Electronics

Largest Supplier of Electrical and Electronic Components

Click to view similar products for [D-Sub Standard Connectors](#) category:

Click to view products by [Hirose](#) manufacturer:

Other Similar products are found below :

[56F706-005-LI](#) [56F711-015](#) [LV242999-142T12](#) [015-0341-000](#) [015-0372-005](#) [015-0372-008](#) [015-8755-001](#) [020419-0104](#) [012-0467-000](#)
[012-9507-034](#) [012-9507-114](#) [020745-0008](#) [609-25P](#) [CT2-18-11PCAU](#) [CT6-10SL-3SC](#) [CT6-10SL-4SC](#) [CT6-14S-2SC](#) [CT6E14SA7SC](#)
[CT6N10SL-4SSA34](#) [M83513/01-FC](#) [M83723/76W24619 L/C](#) [M85049/48-3-2F](#) [6STD09PCM99B70X](#) [6STD09SCM99B30X](#)
[6STD09SCT99S40X](#) [6STD15PCT99S40X](#) [6STD15SCT99S40X](#) [6STF09PCM05B70X](#) [7-135760-9](#) [MC11E-10-6SN](#) [747552-3](#) [MD1-21PS](#)
[MDM-15SCBRM7-F222](#) [MDM96517-699](#) [MDM96521-744](#) [MDVB1-21SL1](#) [MIK0-1-7SH003](#) [MIKQ6-7SH076](#) [MIKQ7-7PH077](#) [MIKQ7-](#)
[7PH11](#) [MIKQ7-7PH32](#) [MJSV-28SL61](#) [MKJ4A1F14-55S](#) [8-135760-3](#) [8STD09PCM99B30X](#) [PG-KV/PV-16-GROM-SEALING](#) [GDA15P](#)
[GDAY15PB](#) [980-0000-170](#) [980-0000-171](#)