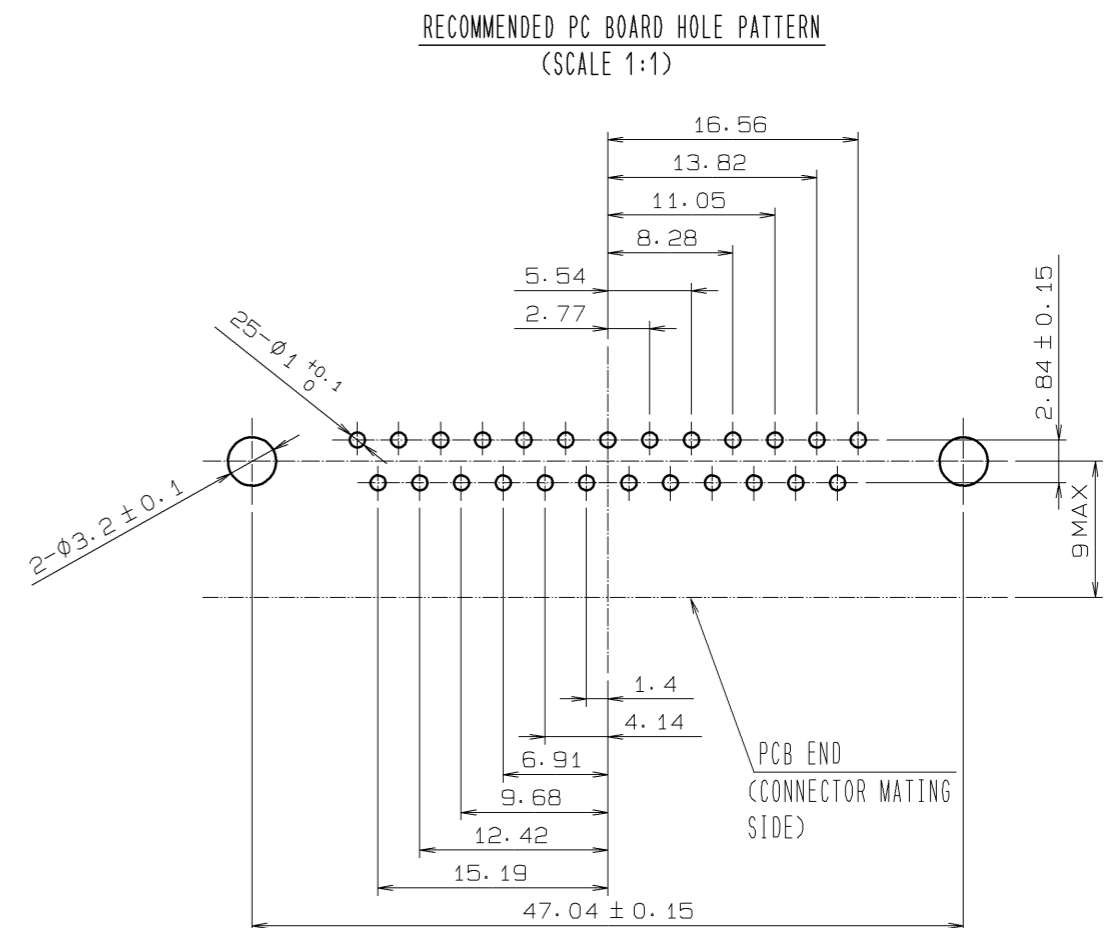
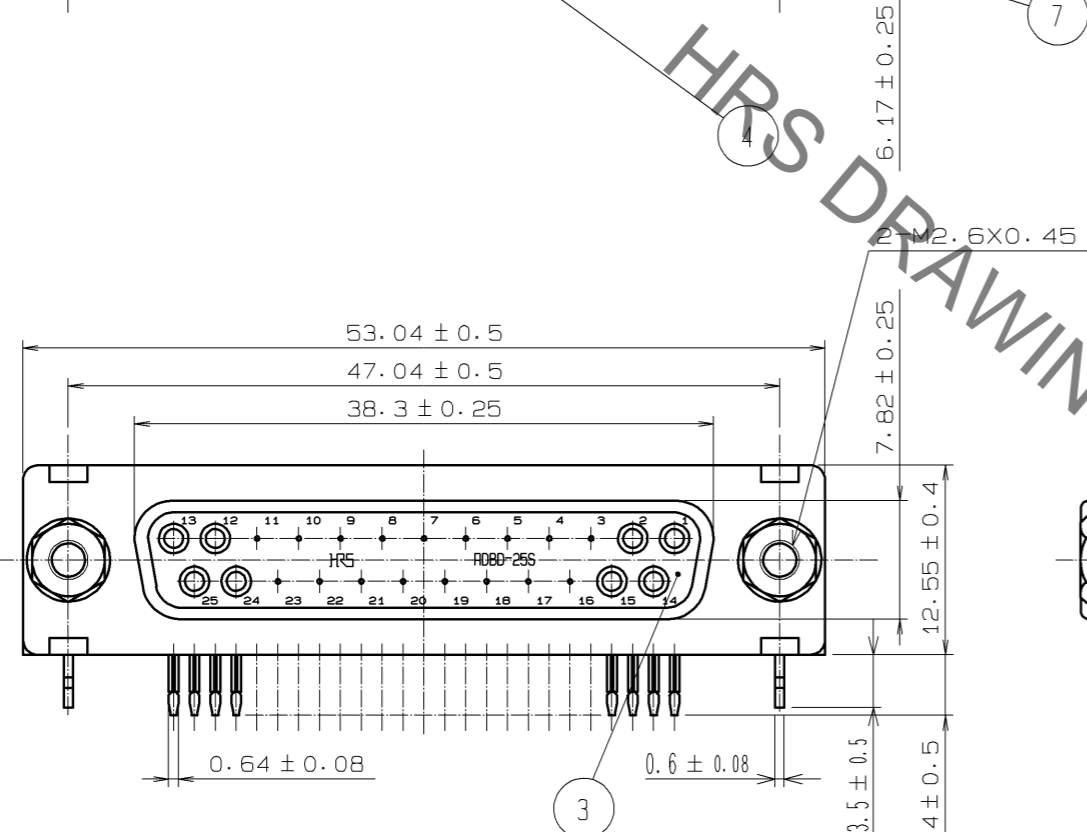
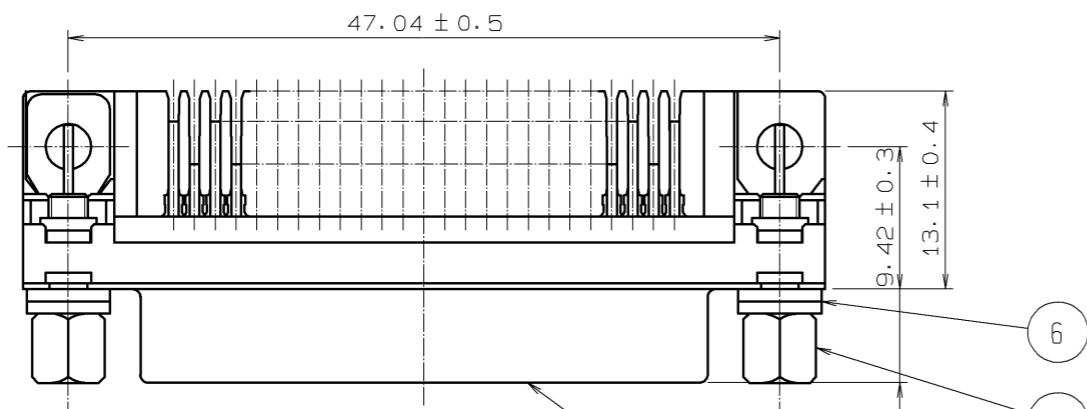
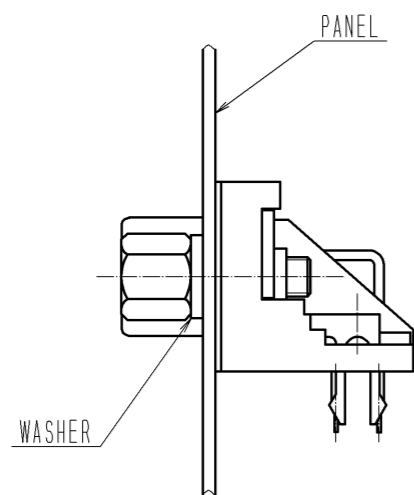


Sep.1.2021 Copyright 2021 HIROSE ELECTRIC CO., LTD. All Rights Reserved.
In case of consideration for using Automotive equipment / device which demand high reliability, kindly contact our sales window correspondents.



PATTERN OF MOUNTING CONNECTOR ON PCB



REMOVE ONE WASHER FOR 0.8 TO 1.2 OF PANEL THICKNESS.
REMOVE TWO WASHERS FOR 1.6 OF PANEL THICKNESS.

NOTE. 1. PLEASE KEEP THE TOLERANCE TO LESS THAN ± 0.1 FOR THE DIMENSIONS WITHOUT TOLERANCE.
2. PLEASE USE THICKNESS 1.6 OF PC BOARD.

NO.	MATERIAL	FINISH	REMARKS	NO.	MATERIAL	FINISH	REMARKS
4	STEEL	NICKEL PLATING		7	STEEL	NICKEL PLATING	
3	PBT	BLACK	UL94V-0			FLAT WASHER SPRING WASHER	
2	PHOSPHOR BRONZE	SELECTIVE GOLD PLATING 0.2 μ m		6	STEEL	NICKEL PLATING	PAN HEAD MACHINE SCREW M2.6X0.45X8
1	PHOSPHOR BRONZE	SELECTIVE GOLD PLATING 0.2 μ m		5	PHOSPHOR BRONZE	TIN PLATING	

UNITS	SCALE	COUNT	DESCRIPTION OF REVISIONS	DESIGNED	CHECKED	DATE
mm	2 : 1	△				
APPROVED : NM. NISHIMATSU			14.06.24	DRAWING NO. EDC3-020746-01		
CHECKED : NM. NISHIMATSU			14.06.24	PART NO. RDBD-25SE-LNA(55)		
DESIGNED : WR. YAMADA			14.06.24	CODE NO. CL211-0333-3-55		
DRAWN : WR. YAMADA			14.06.24	△ 1/1		

X-ON Electronics

Largest Supplier of Electrical and Electronic Components

Click to view similar products for [D-Sub Standard Connectors](#) category:

Click to view products by [Hirose](#) manufacturer:

Other Similar products are found below :

[56F706-005-LI](#) [56F711-015](#) [LV242999-142T12](#) [015-0341-000](#) [015-0372-005](#) [015-0372-008](#) [015-8755-001](#) [020419-0104](#) [012-0467-000](#)
[012-9507-034](#) [012-9507-114](#) [020745-0008](#) [609-25P](#) [CT2-18-11PCAU](#) [CT6-10SL-3SC](#) [CT6-10SL-4SC](#) [CT6-14S-2SC](#) [CT6E14SA7SC](#)
[CT6N10SL-4SSA34](#) [M83513/01-FC](#) [M83723/76W24619 L/C](#) [M85049/48-3-2F](#) [6STD09PCM99B70X](#) [6STD09SCM99B30X](#)
[6STD09SCT99S40X](#) [6STD15PCT99S40X](#) [6STD15SCT99S40X](#) [6STF09PCM05B70X](#) [7-135760-9](#) [MC11E-10-6SN](#) [747552-3](#) [MD1-21PS](#)
[MDM-15SCBRM7-F222](#) [MDM96517-699](#) [MDM96521-744](#) [MDVB1-21SL1](#) [MIK0-1-7SH003](#) [MIKQ6-7SH076](#) [MIKQ7-7PH077](#) [MIKQ7-](#)
[7PH11](#) [MIKQ7-7PH32](#) [MJSV-28SL61](#) [MKJ4A1F14-55S](#) [8-135760-3](#) [8STD09PCM99B30X](#) [PG-KV/PV-16-GROM-SEALING](#) [GDA15P](#)
[GDAY15PB](#) [980-0000-170](#) [980-0000-171](#)