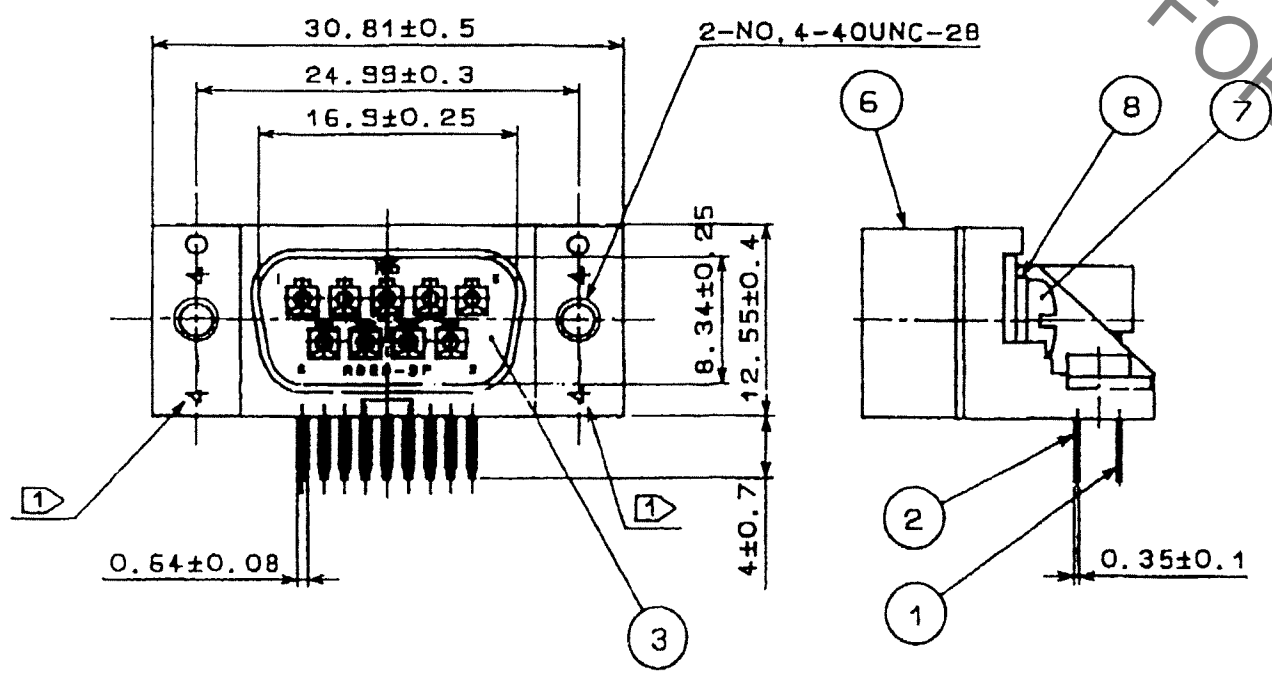
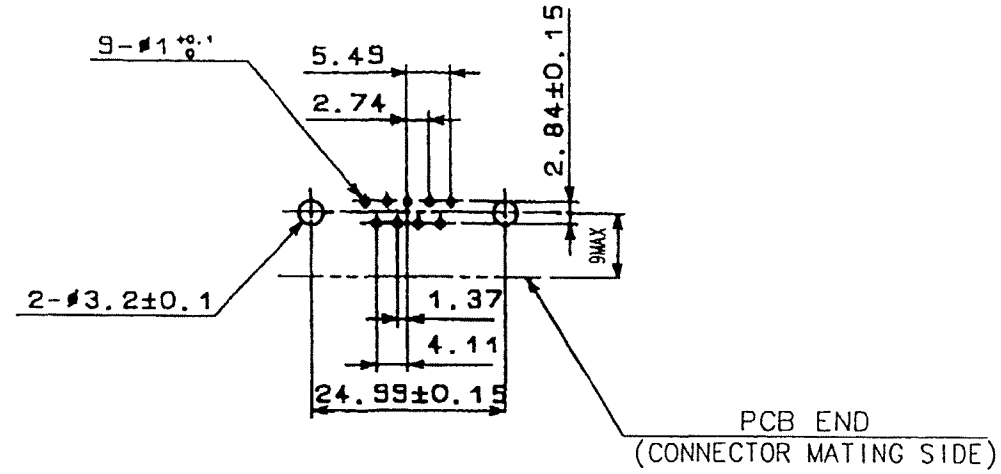
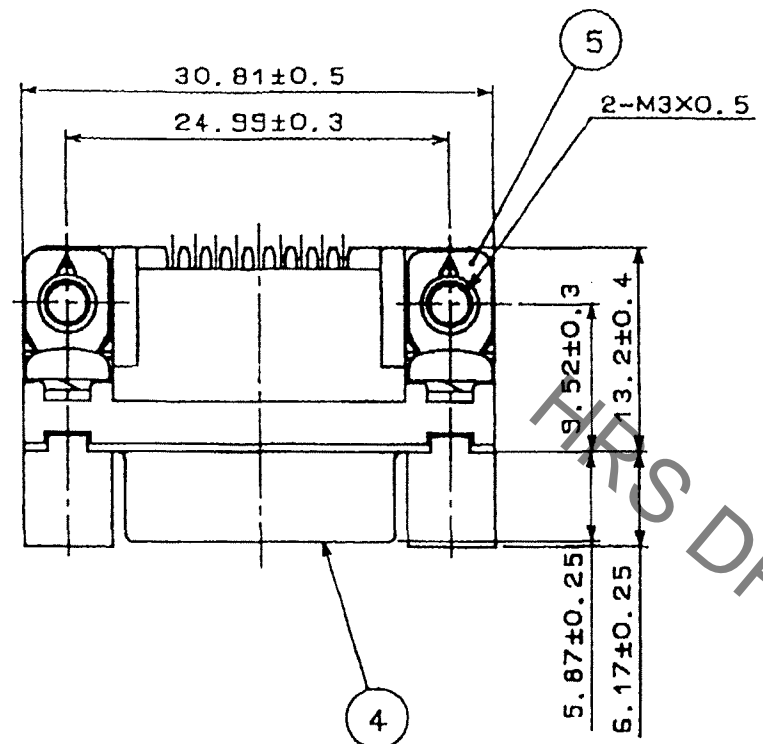


Sep.1.2021 Copyright 2021 HIROSE ELECTRIC CO., LTD. All Rights Reserved.
In case of consideration for using Automotive equipment / device which demand high reliability, kindly contact our sales window correspondents.

COUNT	DESCRIPTION OF REVISIONS	BY	CHKD	DATE	COUNT	DESCRIPTION OF REVISIONS	BY	CHKD	DATE
1	6	DIS-E-001184	Y.S	Y.E	07.02.22				



NOTE. PLEASE KEEP THE TOLERANCE TO LESS THAN ±0.1 FOR THE DIMENSIONS WITHOUT TOLERANCE.

RECOMMENDED PC BOARD HOLE PATTERN (SCALE 1:1)

NOTE. ① THE LETTER ORIENTATION OPTIONAL.

4	STEEL	NICKEL PLATING 1μm UNDER: COPPER PLATING 5μm	8	STEEL	NICKEL PLATING 3μm
3	PBT	UL94V-0 (BLACK)	7	STEEL	NICKEL PLATING 2μm UNDER: COPPER PLATING 1μm
1~2	PHOSPHOR BRONZE	CONTACT: GOLD PLATING 0.2μm DIP: GOLD PLATING 0.03μm UNDER: NICKEL PLATING 2μm	6	ZINC ALLOY DIE CASTING	NICKEL PLATING 2μm UNDER: COPPER PLATING 1μm
			5	STEEL	NICKEL PLATING 2μm UNDER: COPPER PLATING 1μm

NO.	MATERIAL	FINISH, REMARKS	NO.	MATERIAL	FINISH, REMARKS
CODE NO. (OLD) CL		DRAWN T.KAMEYA 03.07.28		DESIGNED T.KAMEYA 03.07.28	CHECKED Y.ENAMI 03.07.29
		APPROVED H.MIWA 03.07.30		RELEASED	
DRAWING NO. EDC3-021957-01			PART NO. RDED-9P-LN(4-40)(55)		
SCALE 2 : 1			CODE NO. CL211-0479-9-55		
UNITS mm			HIROSE ELECTRIC CO., LTD		

TO
Q

X-ON Electronics

Largest Supplier of Electrical and Electronic Components

Click to view similar products for [D-Sub Standard Connectors](#) category:

Click to view products by [Hirose](#) manufacturer:

Other Similar products are found below :

[56F706-005-LI](#) [56F711-015](#) [LV242999-142T12](#) [015-0341-000](#) [015-0372-005](#) [015-0372-008](#) [015-8755-001](#) [020419-0104](#) [012-0467-000](#)
[012-9507-034](#) [012-9507-114](#) [020745-0008](#) [609-25P](#) [CT2-18-11PCAU](#) [CT6-10SL-3SC](#) [CT6-10SL-4SC](#) [CT6-14S-2SC](#) [CT6E14SA7SC](#)
[CT6N10SL-4SSA34](#) [M83513/01-FC](#) [M83723/76W24619 L/C](#) [M85049/48-3-2F](#) [6STD09PCM99B70X](#) [6STD09SCM99B30X](#)
[6STD09SCT99S40X](#) [6STD15PCT99S40X](#) [6STD15SCT99S40X](#) [6STF09PCM05B70X](#) [7-135760-9](#) [MC11E-10-6SN](#) [747552-3](#) [MD1-21PS](#)
[MDM-15SCBRM7-F222](#) [MDM96517-699](#) [MDM96521-744](#) [MDVB1-21SL1](#) [MIK0-1-7SH003](#) [MIKQ6-7SH076](#) [MIKQ7-7PH077](#) [MIKQ7-](#)
[7PH11](#) [MIKQ7-7PH32](#) [MJSV-28SL61](#) [MKJ4A1F14-55S](#) [8-135760-3](#) [8STD09PCM99B30X](#) [PG-KV/PV-16-GROM-SEALING](#) [GDA15P](#)
[GDAY15PB](#) [980-0000-170](#) [980-0000-171](#)