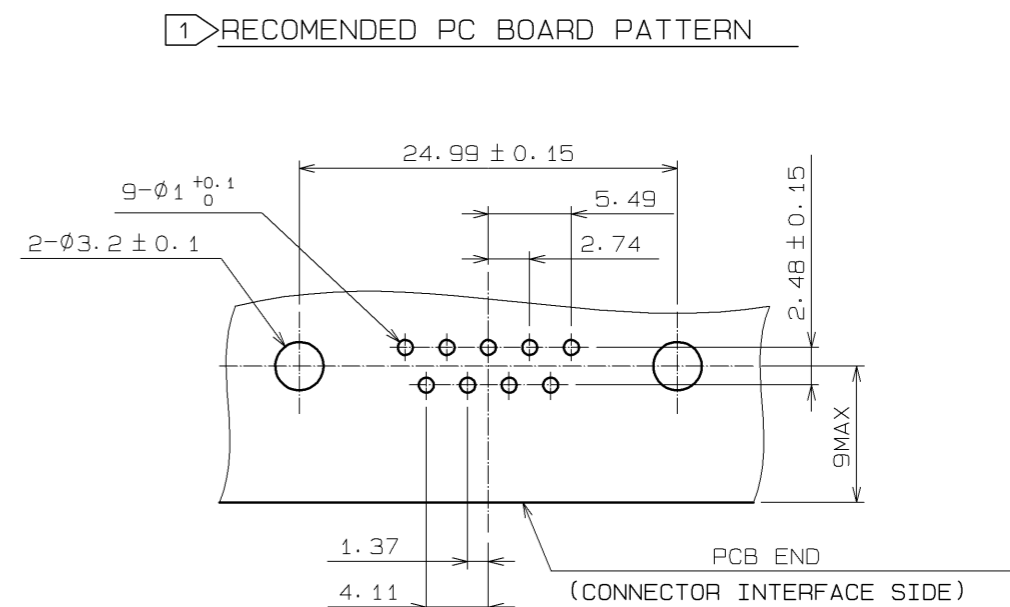
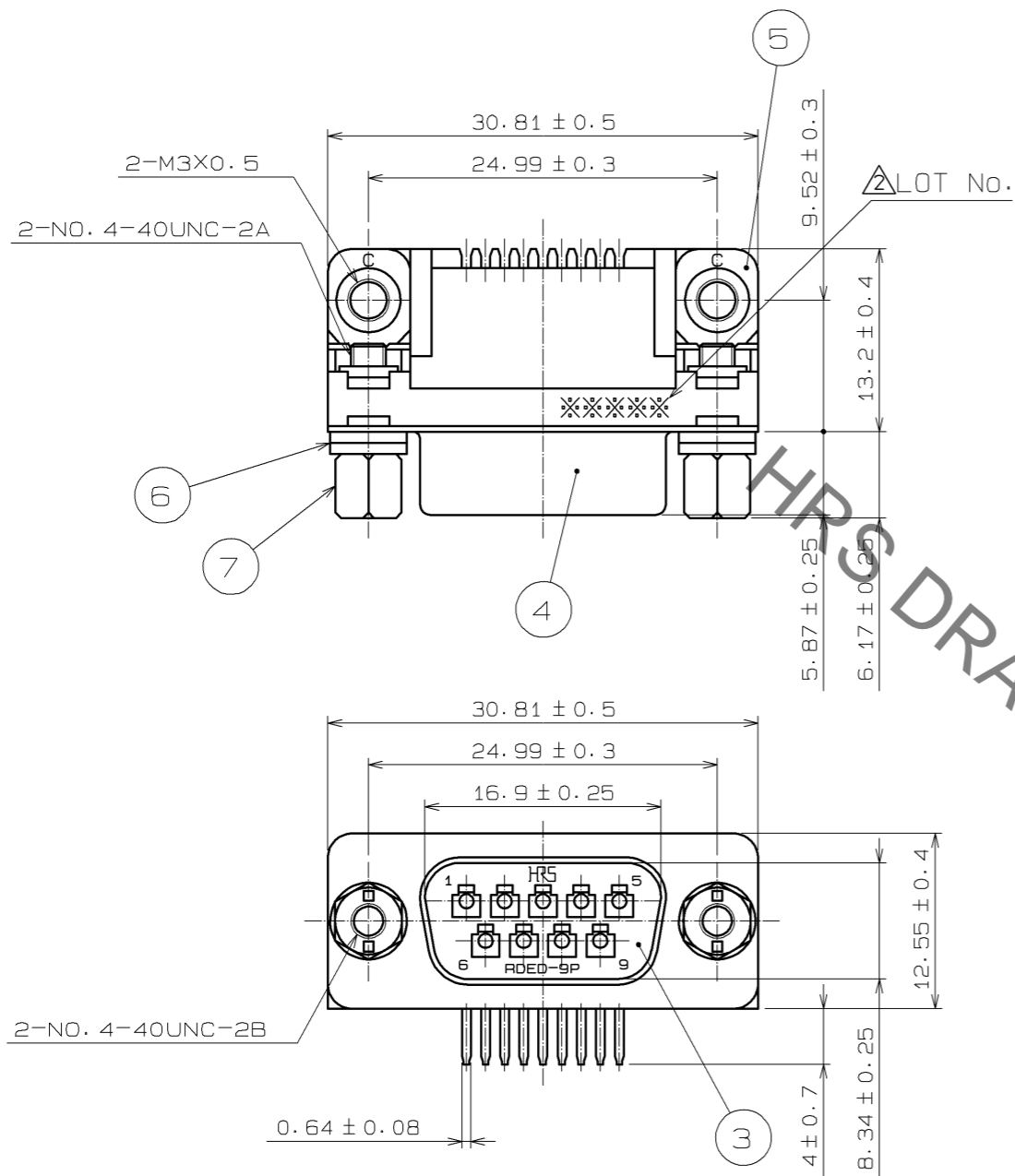


Sep.1.2021 Copyright 2021 HIROSE ELECTRIC CO., LTD. All Rights Reserved.  
In case of consideration for using Automotive equipment / device which demand high reliability, kindly contact our sales window correspondents.

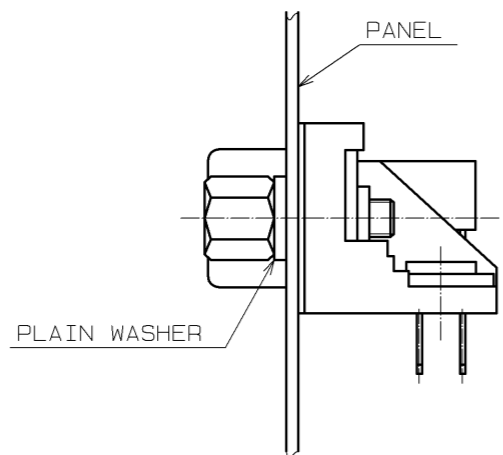


NOTES.  $\triangle 1$  THE DIMENSIONAL TOLERANCES SHALL BE  $\pm 0.1$  MAX. UNLESS SPECIFIED.

$\triangle 2$  PLAIN WASHER SHALL BE ATTACHED AS TABLE SHOWN BELOW ACCORDING TO PANEL THICKNESS.

PANEL THICKNESS	No. OF WASHER
t=0.8~1.2 mm	1
t=1.6 mm	0

$\triangle 2$  CONNECTOR ATTACHED TO PANEL



NO.	MATERIAL	FINISH . REMARKS	NO.	MATERIAL	FINISH . REMARKS
4	STEEL	NICKEL PLATING 1 $\mu$ m UNDER PLATING : COPPER PLATING 5 $\mu$ m	7	STEEL	NICKEL PLATING 2 $\mu$ m UNDER PLATING : COPPER PLATING 1 $\mu$ m
3	PBT	UL94V-0 (BLACK)	6	STEEL	NICKEL PLATING 2 $\mu$ m UNDER PLATING : COPPER PLATING 3 $\mu$ m
1, 2	PHOSPHOR BRONZE	CONTACT AREA : GOLD PLATING 0.2 $\mu$ m LEAD AREA : GOLD PLATING 0.03 $\mu$ m UNDER PLATING : NICKEL PLATING 2 $\mu$ m	5	STEEL	NICKEL PLATING 2 $\mu$ m UNDER PLATING : COPPER PLATING 1 $\mu$ m

UNITS	SCALE	COUNT	DESCRIPTION OF REVISIONS	DESIGNED	CHECKED	DATE
mm	2 : 1	3	DIS-E-002970	HN. ANDO	HO. MIWA	09.10.08

APPROVED : HO. MIWA	05.01.05	DRAWING NO.	EDC3-021958-03
CHECKED : YH. ENAMI	05.01.05	PART NO.	RDED-9P-LNA(4-40)(55)
DESIGNED : TU. TANIGUCHI	05.01.05	CODE NO.	CL211-0480-8-55
DRAWN : TU. TANIGUCHI	05.01.05		

## X-ON Electronics

Largest Supplier of Electrical and Electronic Components

*Click to view similar products for [D-Sub Standard Connectors](#) category:*

*Click to view products by [Hirose](#) manufacturer:*

Other Similar products are found below :

[56F706-005-LI](#) [56F711-015](#) [LV242999-142T12](#) [015-0341-000](#) [015-0372-005](#) [015-0372-008](#) [015-8755-001](#) [020419-0104](#) [012-0467-000](#)  
[012-9507-034](#) [012-9507-114](#) [020745-0008](#) [609-25P](#) [CT2-18-11PCAU](#) [CT6-10SL-3SC](#) [CT6-10SL-4SC](#) [CT6-14S-2SC](#) [CT6E14SA7SC](#)  
[CT6N10SL-4SSA34](#) [M83513/01-FC](#) [M83723/76W24619 L/C](#) [M85049/48-3-2F](#) [6STD09PCM99B70X](#) [6STD09SCM99B30X](#)  
[6STD09SCT99S40X](#) [6STD15PCT99S40X](#) [6STD15SCT99S40X](#) [6STF09PCM05B70X](#) [7-135760-9](#) [MC11E-10-6SN](#) [747552-3](#) [MD1-21PS](#)  
[MDM-15SCBRM7-F222](#) [MDM96517-699](#) [MDM96521-744](#) [MDVB1-21SL1](#) [MIK0-1-7SH003](#) [MIKQ6-7SH076](#) [MIKQ7-7PH077](#) [MIKQ7-](#)  
[7PH11](#) [MIKQ7-7PH32](#) [MJSV-28SL61](#) [MKJ4A1F14-55S](#) [8-135760-3](#) [8STD09PCM99B30X](#) [PG-KV/PV-16-GROM-SEALING](#) [GDA15P](#)  
[GDAY15PB](#) [980-0000-170](#) [980-0000-171](#)