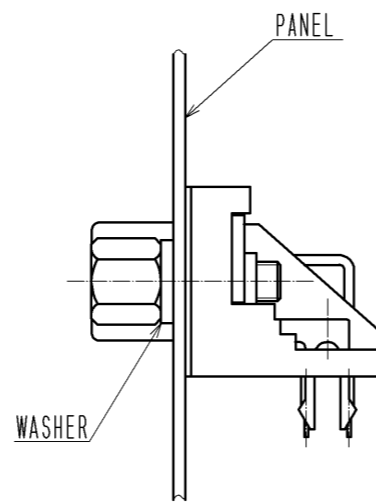
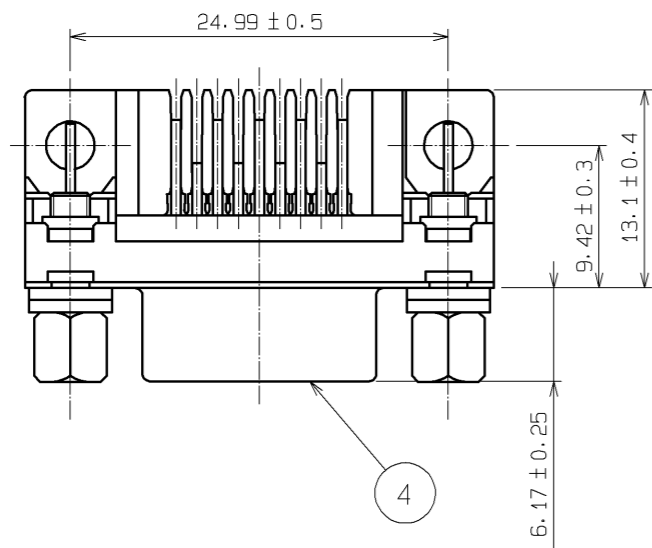
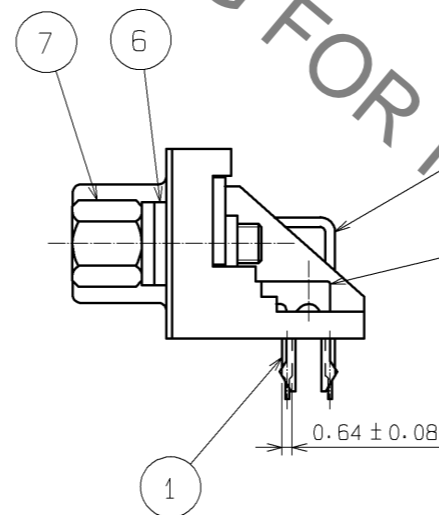
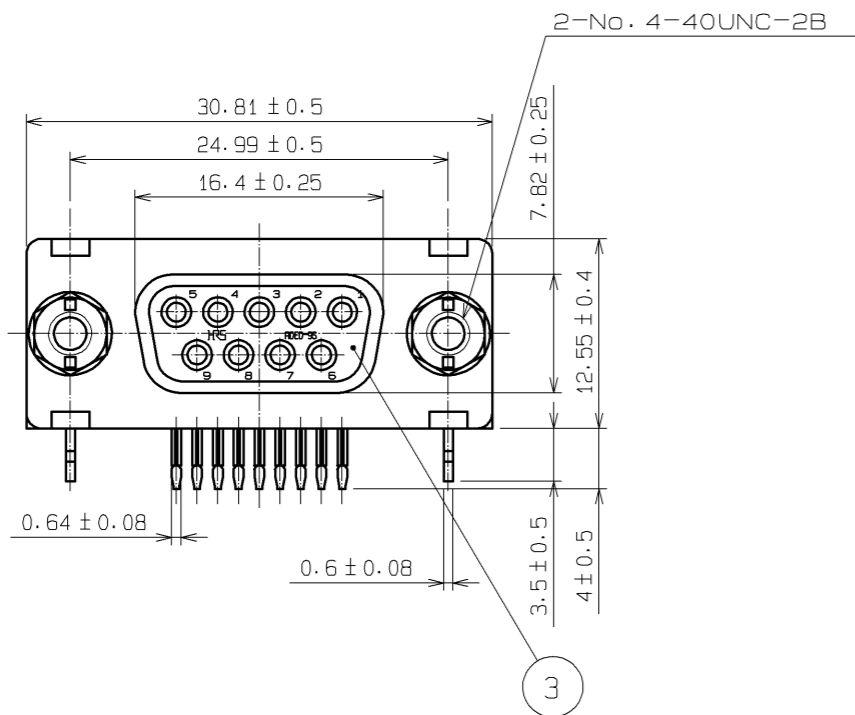
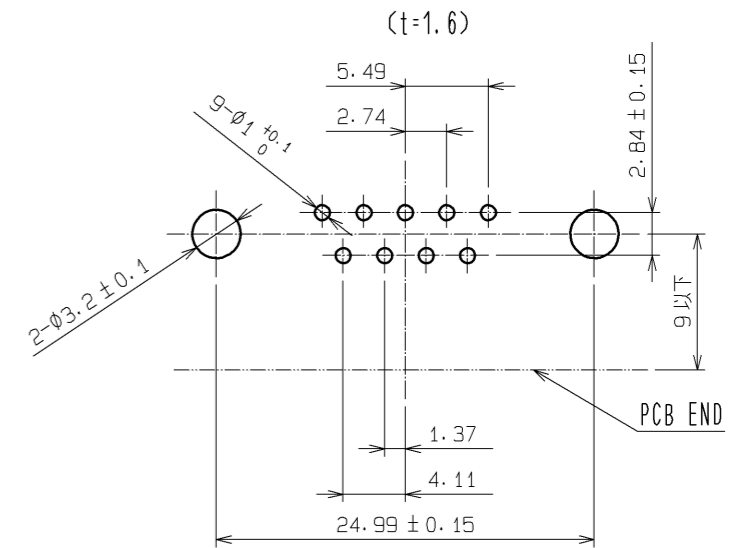


Sep.1.2021 Copyright 2021 HIROSE ELECTRIC CO., LTD. All Rights Reserved.
In case of consideration for using Automotive equipment / device which demand high reliability, kindly contact our sales window correspondents.

1 CONNECTOR MOUNTED CONDITION



2 RECOMMENDED MOUNTING HOLE PATTERN



HRS DRAWING FOR REFERENCE

- NOTES
- 1 REMOVE ONE WASHER FOR 0.8-1.2 OF PANEL THICKNESS.
REMOVE TWO WASHERS FOR 1.6 OF PANEL THICKNESS.
 - 2 PLEASE KEEP THE TOLERANCE TO LESS THAN ± 0.1
FOR THE DIMENSIONS WITHOUT TOLERANCE.
 - 3 CONTACT AREA: GOLD PLATING 0.2 μ m MIN
TERMINAL AREA: GOLD PLATING 0.03 μ m MIN
UNDERPLATING: NICKEL PLATING 2 μ m MIN

4	STEEL	OVER: NICKEL PLATING 2 μ m MIN UNDER: COPPER PLATING 5 μ m MIN					
3	PBT	BLACK UL94V-0	7	STEEL	OVER: NICKEL PLATING 2 μ m MIN UNDER: COPPER PLATING 1 μ m MIN		
2	PHOSPHOR BRONZE	3	6	STEEL	OVER: NICKEL PLATING 2 μ m MIN UNDER: COPPER PLATING 3 μ m MIN		
1	PHOSPHOR BRONZE	3	5	PHOSPHOR BRONZE	OVER: TIN PLATING 3 μ m MIN UNDER: NICKEL PLATING 3 μ m MIN		
NO.	MATERIAL	FINISH . REMARKS	NO.	MATERIAL	FINISH . REMARKS		
UNITS		SCALE	COUNT	DESCRIPTION OF REVISIONS		DESIGNED	CHECKED
mm		2 : 1	△				
HIROSE ELECTRIC CO., LTD.		APPROVED : RI. TAKAYASU	12.01.11	DRAWING NO. EDC3-021516-01			
		CHECKED : TA. ASO	12.01.11	PART NO. RDED-9SE-LNA(4-40)(55)			
		DESIGNED : KO. KAWAMURA	12.01.11	CODE NO. CL211-0466-7-55			
		DRAWN : RO. IIZUKA	12.01.10				

X-ON Electronics

Largest Supplier of Electrical and Electronic Components

Click to view similar products for [D-Sub Standard Connectors](#) category:

Click to view products by [Hirose](#) manufacturer:

Other Similar products are found below :

[56F706-005-LI](#) [56F711-015](#) [LV242999-142T12](#) [015-0341-000](#) [015-0372-005](#) [015-0372-008](#) [015-8755-001](#) [020419-0104](#) [012-0467-000](#)
[012-9507-034](#) [012-9507-114](#) [020745-0008](#) [609-25P](#) [CT2-18-11PCAU](#) [CT6-10SL-3SC](#) [CT6-10SL-4SC](#) [CT6-14S-2SC](#) [CT6E14SA7SC](#)
[CT6N10SL-4SSA34](#) [M83513/01-FC](#) [M83723/76W24619 L/C](#) [M85049/48-3-2F](#) [6STD09PCM99B70X](#) [6STD09SCM99B30X](#)
[6STD09SCT99S40X](#) [6STD15PCT99S40X](#) [6STD15SCT99S40X](#) [6STF09PCM05B70X](#) [7-135760-9](#) [MC11E-10-6SN](#) [747552-3](#) [MD1-21PS](#)
[MDM-15SCBRM7-F222](#) [MDM96517-699](#) [MDM96521-744](#) [MDVB1-21SL1](#) [MIK0-1-7SH003](#) [MIKQ6-7SH076](#) [MIKQ7-7PH077](#) [MIKQ7-](#)
[7PH11](#) [MIKQ7-7PH32](#) [MJSV-28SL61](#) [MKJ4A1F14-55S](#) [8-135760-3](#) [8STD09PCM99B30X](#) [PG-KV/PV-16-GROM-SEALING](#) [GDA15P](#)
[GDAY15PB](#) [980-0000-170](#) [980-0000-171](#)