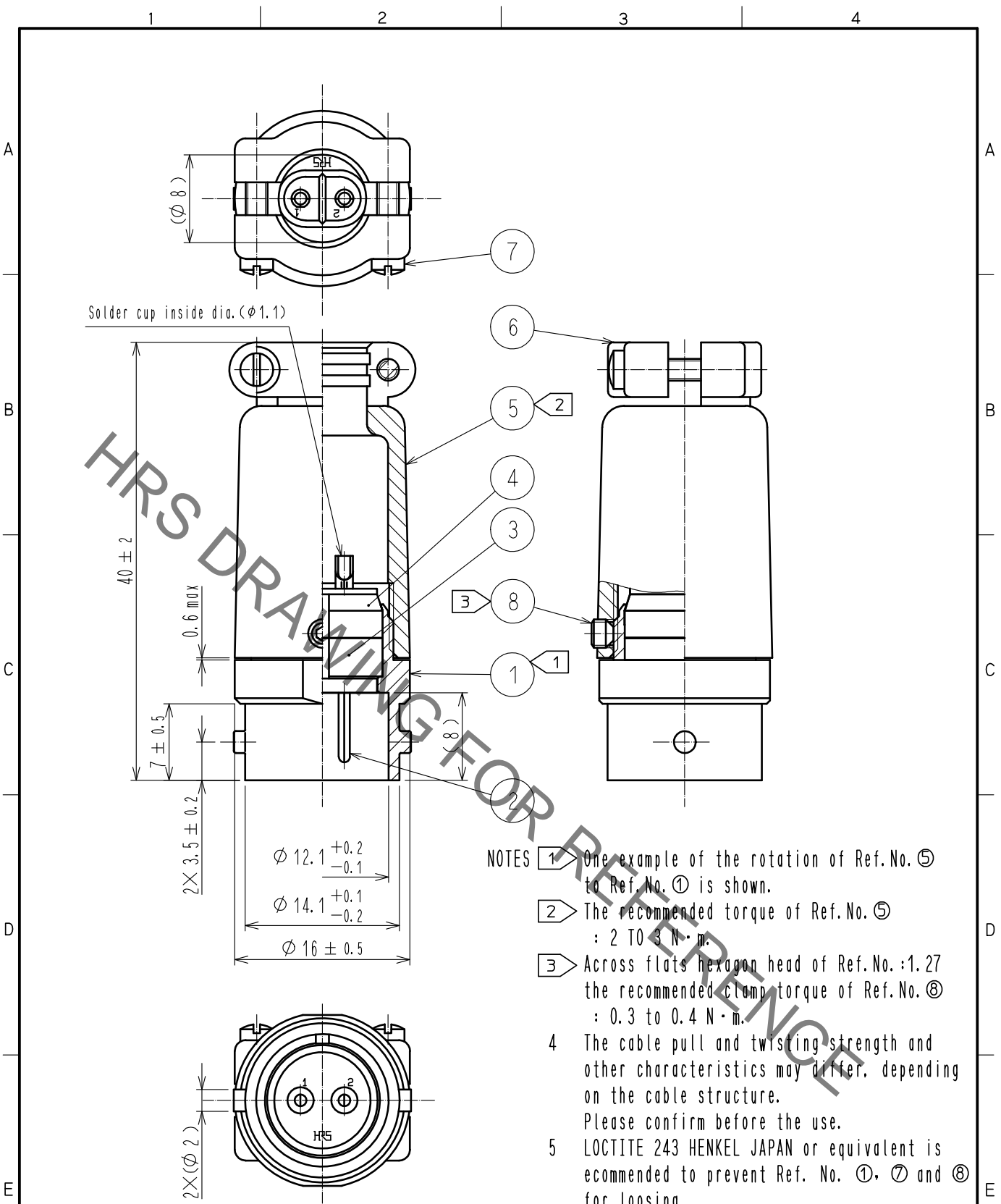


Jun.1.2019 Copyright 2019 HIROSE ELECTRIC CO., LTD. All Rights Reserved.
 In case of consideration for using Automotive equipment / device which demand high reliability, kindly contact our sales window correspondents.



- NOTES
- ① One example of the rotation of Ref. No. ⑤ to Ref. No. ① is shown.
 - ② The recommended torque of Ref. No. ⑤ : 2 TO 3 N·m.
 - ③ Across flats hexagon head of Ref. No. :1.27 the recommended clamp torque of Ref. No. ⑧ : 0.3 to 0.4 N·m.
 - ④ The cable pull and twisting strength and other characteristics may differ, depending on the cable structure. Please confirm before the use.
 - ⑤ LOCTITE 243 HENKEL JAPAN or equivalent is recommended to prevent Ref. No. ①, ⑦ and ⑧ for loosening.

4	DIALYL PHTHALATE	(BLACK) UL94V-0	8	STEEL	NICKEL PLATING	HEXAGON SOCKET SET SCREW M2. 6X0.45X2
3	DIALYL PHTHALATE	(BLACK) UL94V-0	7	BRASS	NICKEL PLATING	JIS B 1101 M2X0.4X8
2	COPPER ALLOY	SILVER PLATING 2 μ m min.	6	ZINC ALLOY	MATTE FINISH NICKEL PLATED	
1	ZINC ALLOY	MATTE FINISH NICKEL PLATED	5	ZINC ALLOY	MATTE FINISH NICKEL PLATED	
NO.	MATERIAL	FINISH . REMARKS	NO.	MATERIAL	FINISH . REMARKS	

UNITS mm	SCALE 2 : 1	COUNT	DESCRIPTION OF REVISIONS	DESIGNED	CHECKED	DATE
HIROSE ELECTRIC CO., LTD.			APPROVED :HY. KOBAYASHI 15.10.27 CHECKED :HY. KOBAYASHI 15.10.27 DESIGNED :HT. ZENBA 15.10.26 DRAWN :HT. ZENBA 15.10.26	DRAWING NO. EDC-027902-00-00 PART NO. RM12BJB-2PH CODE NO. CL109-0829-4-00	1/1	

X-ON Electronics

Largest Supplier of Electrical and Electronic Components

Click to view similar products for [Standard Circular Connector](#) category:

Click to view products by [Hirose](#) manufacturer:

Other Similar products are found below :

[5M2530B10P](#) [600259N006](#) [600273N007](#) [6134-336-13149](#) [6134-337-11149](#) [6134-337-2390](#) [6134-341-17149](#) [6280-4SG-516](#) [6280-7SG-3DC](#)
[6290](#) [6291A](#) [66200A-10](#) [680-SMG](#) [681-PMG](#) [CXS3102A14S2P](#) [CXS3102A181S](#) [7251-6SG-300](#) [7271-6SG-300](#) [7282-3PG-300-CH3](#) [75-](#)
[474014-05S](#) [75-474618-01S](#) [75-474618-04S](#) [799539-000](#) [MI8-SE](#) [805-005-07NF11-19PC](#) [805-005-07NF15-7PA](#) [8280-4PG-516](#) [8280-7PG-](#)
[519](#) [8282-5PG-519](#) [836783-1](#) [MP-4102-25P-C](#) [862256-1](#) [864019-2](#) [866857-1](#) [867865-1](#) [PT01SP-14-18P](#) [PT08P-14-5S](#) [PTSF06SE-14-12S](#)
[120-1833-000](#) [QCM019PC2DC012B](#) [1-2069279-1](#) [121583-0217](#) [121667-0020](#) [129591AU](#) [1000B BULK](#) [RD10A16-19-P6CS051/1](#)
[RD10A20-31-P8CS051/1](#) [RD16A14-12-S6CS051/2](#) [1301240290](#) [1301240347](#) [1301860202](#)