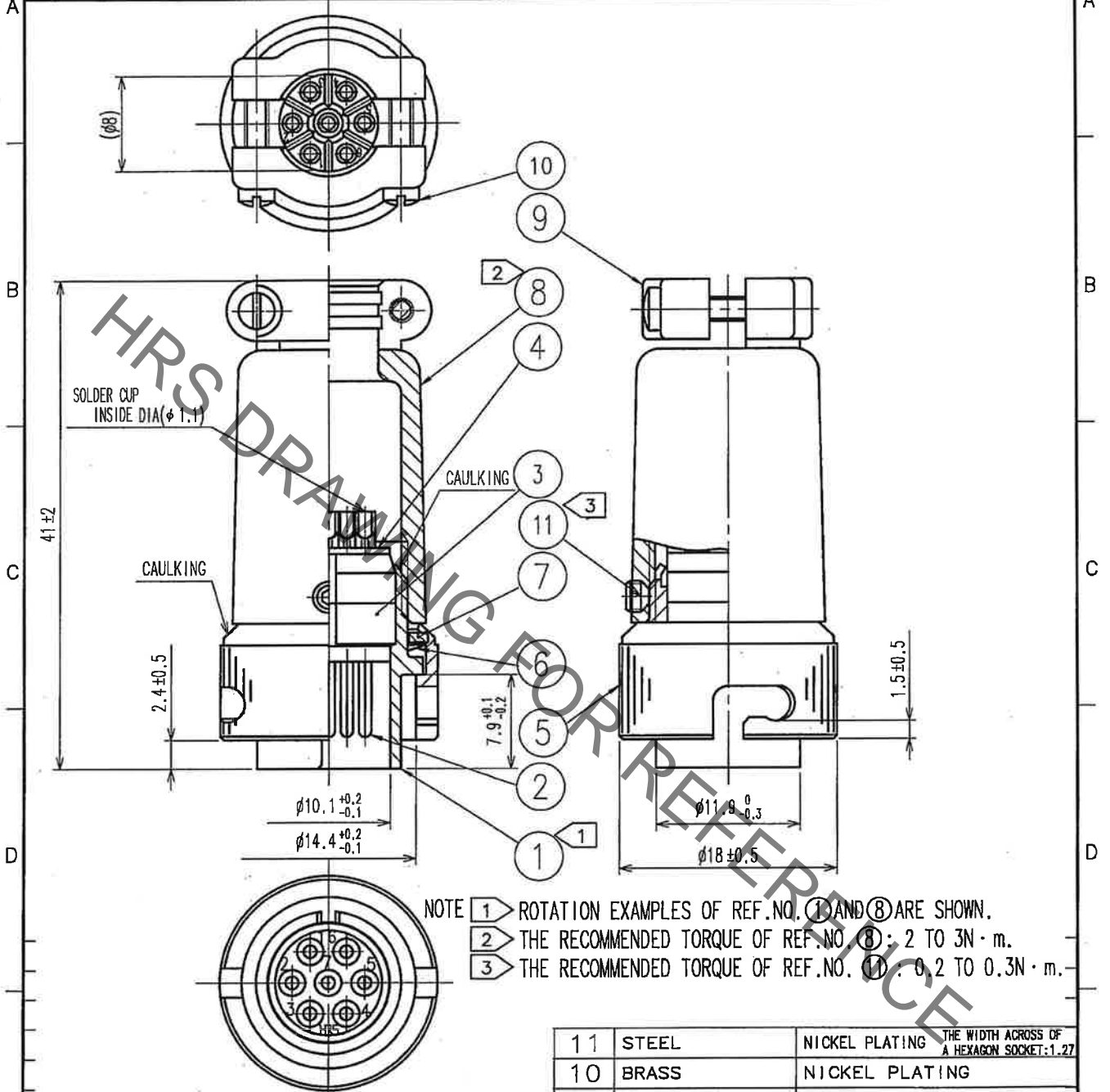


Jan.1.2022 Copyright 2022 HIROSE ELECTRIC CO., LTD. All Rights Reserved.
In case of consideration for using Automotive equipment / device which demand high reliability, kindly contact our sales window correspondents.

1					2					3					4				
COUNT	DESCRIPTION OF REVISIONS				BY	CHKD	DATE	COUNT	DESCRIPTION OF REVISIONS				BY	CHKD	DATE				
△								△											
△								△											
△								△											



NOTE ① ROTATION EXAMPLES OF REF. NO. ① AND ⑧ ARE SHOWN.
 ② THE RECOMMENDED TORQUE OF REF. NO. ⑧ : 2 TO 3N · m.
 ③ THE RECOMMENDED TORQUE OF REF. NO. ⑪ : 0.2 TO 0.3N · m.

11	STEEL	NICKEL PLATING	THE WIDTH ACROSS OF A HEXAGON SOCKET: 1.27
10	BRASS	NICKEL PLATING	
9	ZINC ALLOY	MATTE FINISH NICKEL PLATING	
8	ZINC ALLOY	MATTE FINISH NICKEL PLATING	
7	BRASS	NICKEL PLATING	
6	BERYLLIUM COPPER	NICKEL PLATING	
5	BRASS	MATTE FINISH NICKEL PLATING	
4	DIALLYL PHTHALATE (BLACK)	UL94V-0	
3	DIALLYL PHTHALATE (BLACK)	UL94V-0	
2	COPPER ALLOY	SILVER PLATING 2μ m min	
1	ZINC ALLOY	MATTE FINISH NICKEL PLATING	
NO.	MATERIAL	FINISH, REMARKS	

CODE NO. (OLD) CL		DRAWN I. Suzuki 21.06.03	DESIGNED I. Suzuki 21.06.03	CHECKED H. Kobayashi 21.06.07	APPROVED T. Konishi 21.06.09	RELEASED
----------------------	--	--------------------------------	-----------------------------------	-------------------------------------	------------------------------------	----------

SCALE 2 : 1	DRAWING NO. EDC4-112324-76-00	PART NO. RM12BPE-7PH(76)
UNITS MM	HRS HIROSE ELECTRIC CO., LTD.	CODE NO. CL109-0422-7-76

TO
R



X-ON Electronics

Largest Supplier of Electrical and Electronic Components

Click to view similar products for [Standard Circular Connector](#) category:

Click to view products by [Hirose](#) manufacturer:

Other Similar products are found below :

[6134-336-13149](#) [6134-337-11149](#) [6134-337-2390](#) [6134-341-17149](#) [6280-4SG-516](#) [6280-7SG-3DC](#) [6282-2SG-315](#) [67-02E12-60PX](#) [680-SMG](#) [CXS3102A181S](#) [D38999/20FC8SA L/C](#) [7251-5SG-300](#) [7282-3PG-300-CH3](#) [75-190216-08S](#) [75-190218-10P](#) [75-474014-05S](#) [75-474218-19S](#) [75-474618-04P](#) [75-474618-04S](#) [80-190222-18P](#) [805-005-07NF11-19PC](#) [805-005-07NF15-7PA](#) [8280-4PG-516](#) [8280-7PG-519](#) [862256-1](#) [866857-1](#) [867865-1](#) [PT08P-14-19S](#) [120-1833-000](#) [QCM019PC2DC012B](#) [121583-0217](#) [121667-0020](#) [RD10A16-19-P6CS051/1](#) [RD16A14-12-S6CS051/2](#) [1301240347](#) [1301790476](#) [1301240268](#) [1301240275](#) [1301860183](#) [1301860906](#) [1302261559](#) [DCU-08BFEA-LL7001](#) [RM15WTP-CP\(5\)\(71\)](#) [14381-10SG-300](#) [14482](#) [16283-18](#) [18280-3SG-315](#) [1877910-1](#) [206039-3](#) [206323-1](#)