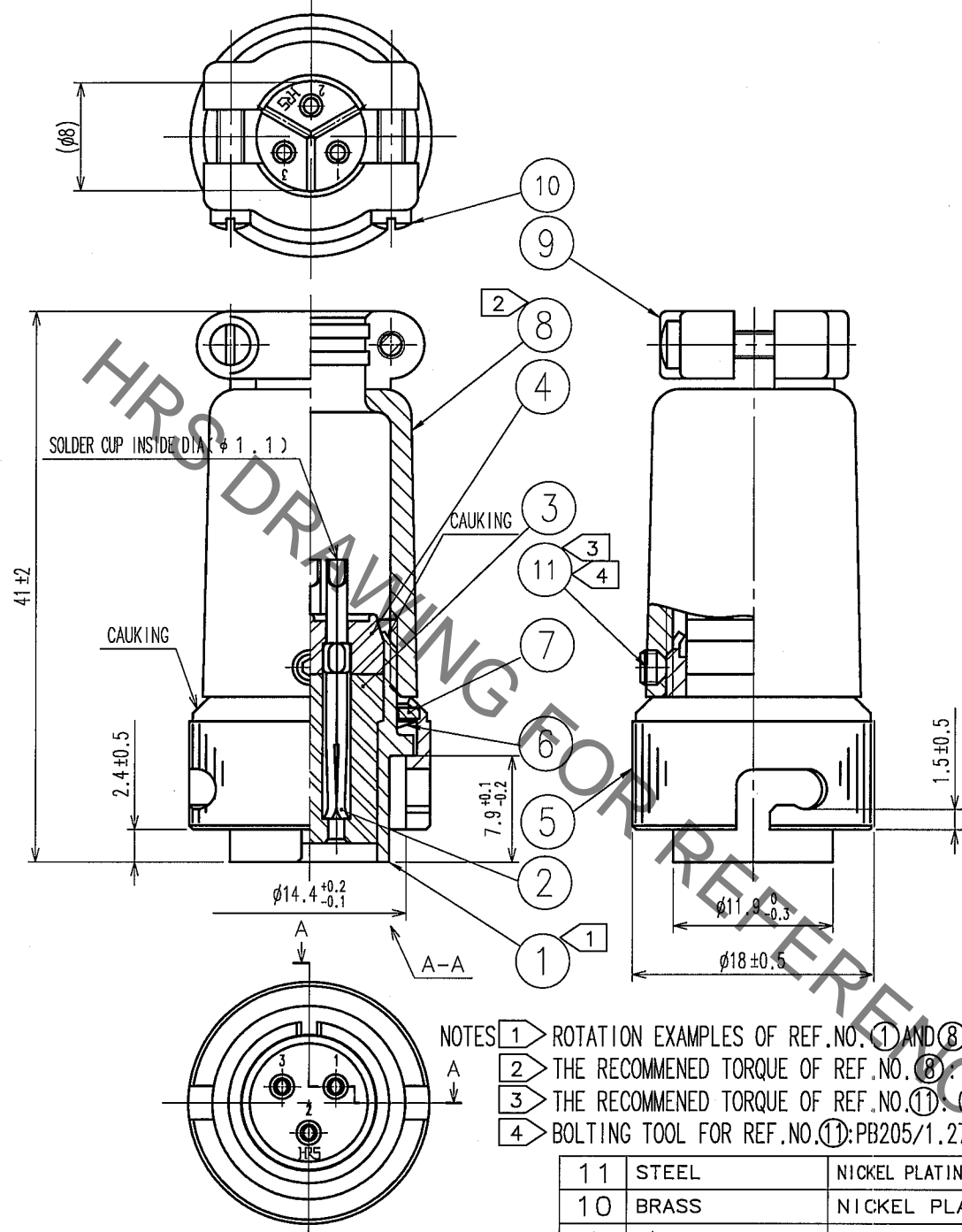


Jun.1.2019 Copyright 2019 HIROSE ELECTRIC CO., LTD. All Rights Reserved.
 In case of consideration for using Automotive equipment / device which demand high reliability, kindly contact our sales window correspondents.

1					2					3					4				
COUNT	DESCRIPTION OF REVISIONS				BY	CHKD	DATE	COUNT	DESCRIPTION OF REVISIONS				BY	CHKD	DATE				
△								△											
△								△											
△								△											



- NOTES
- ① ROTATION EXAMPLES OF REF. NO. ① AND ⑧ ARE SHOWN.
 - ② THE RECOMMENDED TORQUE OF REF. NO. ⑧: 2 TO 3N · m.
 - ③ THE RECOMMENDED TORQUE OF REF. NO. ⑪: 0.3 TO 0.4N · m.
 - ④ BOLTING TOOL FOR REF. NO. ⑪: PB205/1.27 (CL150-0066-3)

11	STEEL	NICKEL PLATING	THE WIDTH ACROSS OF A HEXAGON SOCKET: 1.27
10	BRASS	NICKEL PLATING	
9	ZINC ALLOY	MATTE FINISH NICKEL PLATING	
8	ZINC ALLOY	MATTE FINISH NICKEL PLATING	
7	BRASS	NICKEL PLATING	
6	BERYLLIUM COPPER	NICKEL PLATING	
5	BRASS	MATTE FINISH NICKEL PLATING	
NO.	MATERIAL	FINISH, REMARKS	

4	DIALYL PHTHALATE (BLACK) UL94V-0			8	ZINC ALLOY	MATTE FINISH NICKEL PLATING
3	DIALYL PHTHALATE (BLACK) UL94V-0			7	BRASS	NICKEL PLATING
2	COPPER ALLOY	SILVER PLATING	5 μ m min.	6	BERYLLIUM COPPER	NICKEL PLATING
1	ZINC ALLOY	MATTE FINISH NICKEL PLATING		5	BRASS	MATTE FINISH NICKEL PLATING
NO.	MATERIAL	FINISH, REMARKS		NO.	MATERIAL	FINISH, REMARKS

CODE NO. (OLD) CL		DRAWN G. Yamada 05.08.26	DESIGNED G. Yamada 05.08.26	CHECKED H. Zemba 05.08.30	APPROVED M. Sato 05.09.01	RELEASED
----------------------	--	--------------------------------	-----------------------------------	---------------------------------	---------------------------------	----------

 SCALE 2 : 1 UNITS mm	DRAWING NO. EDC4-112326-71	PART NO. RM12BPE-3S(71)
	 HIROSE ELECTRIC CO., LTD.	CODE NO. CL109-0424-2-71

In case of consideration for using Automotive equipment / device which demand high reliability, kindly contact our sales window correspondents.

X-ON Electronics

Largest Supplier of Electrical and Electronic Components

Click to view similar products for [Standard Circular Connector](#) category:

Click to view products by [Hirose](#) manufacturer:

Other Similar products are found below :

[5M2530B10P](#) [600259N006](#) [600273N007](#) [6134-336-13149](#) [6134-337-11149](#) [6134-337-2390](#) [6134-341-17149](#) [6280-4SG-516](#) [6280-7SG-3DC](#)
[6290](#) [6291A](#) [66200A-10](#) [680-SMG](#) [681-PMG](#) [CXS3102A14S2P](#) [CXS3102A181S](#) [7251-6SG-300](#) [7271-6SG-300](#) [7282-3PG-300-CH3](#) [75-](#)
[474014-05S](#) [75-474618-01S](#) [75-474618-04S](#) [799539-000](#) [MI8-SE](#) [805-005-07NF11-19PC](#) [805-005-07NF15-7PA](#) [8280-4PG-516](#) [8280-7PG-](#)
[519](#) [8282-5PG-519](#) [836783-1](#) [MP-4102-25P-C](#) [862256-1](#) [864019-2](#) [866857-1](#) [867865-1](#) [PT01SP-14-18P](#) [PT08P-14-5S](#) [PTSF06SE-14-12S](#)
[120-1833-000](#) [QCM019PC2DC012B](#) [1-2069279-1](#) [121583-0217](#) [121667-0020](#) [129591AU](#) [1000B BULK](#) [RD10A16-19-P6CS051/1](#)
[RD10A20-31-P8CS051/1](#) [RD16A14-12-S6CS051/2](#) [1301240290](#) [1301240347](#) [1301860202](#)