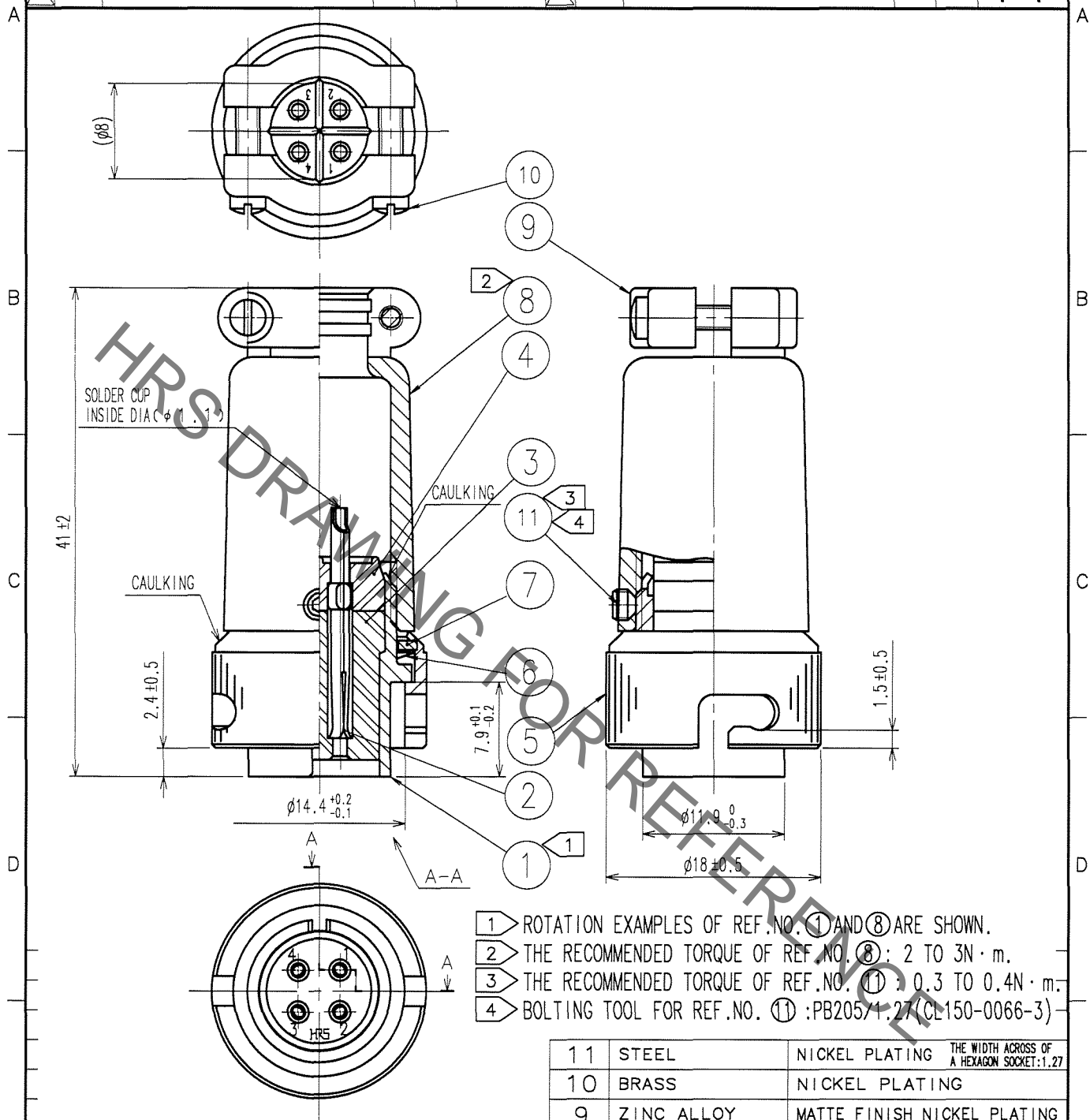


Jun.1.2019 Copyright 2019 HIROSE ELECTRIC CO., LTD. All Rights Reserved.  
In case of consideration for using Automotive equipment / device which demand high reliability, kindly contact our sales window correspondents.

1		2			3			4		
COUNT	DESCRIPTION OF REVISIONS	BY	CHKD	DATE	COUNT	DESCRIPTION OF REVISIONS	BY	CHKD	DATE	
△					△					
△					△					
△					△					



- ① ROTATION EXAMPLES OF REF. NO. ① AND ⑧ ARE SHOWN.
- ② THE RECOMMENDED TORQUE OF REF. NO. ⑧: 2 TO 3N · m.
- ③ THE RECOMMENDED TORQUE OF REF. NO. ⑪: 0.3 TO 0.4N · m.
- ④ BOLTING TOOL FOR REF. NO. ⑪: PB205/1.27 (CL150-0066-3)

4	DIALLYL PHTHALATE (BLACK) UL94V-0	8	ZINC ALLOY	MATTE FINISH NICKEL PLATING	
3	DIALLYL PHTHALATE (BLACK) UL94V-0	7	BRASS	NICKEL PLATING	
2	COPPER ALLOY	SILVER PLATING 5μ m min.	6	BERYLLIUM COPPER	NICKEL PLATING
1	ZINC ALLOY	MATTE FINISH NICKEL PLATING	5	BRASS	MATTE FINISH NICKEL PLATING
11	STEEL	NICKEL PLATING	10	BRASS	NICKEL PLATING
9	ZINC ALLOY	MATTE FINISH NICKEL PLATING	9	ZINC ALLOY	MATTE FINISH NICKEL PLATING

NO.	MATERIAL	FINISH, REMARKS	NO.	MATERIAL	FINISH, REMARKS
11	STEEL	NICKEL PLATING	10	BRASS	NICKEL PLATING
9	ZINC ALLOY	MATTE FINISH NICKEL PLATING	8	ZINC ALLOY	MATTE FINISH NICKEL PLATING
8	ZINC ALLOY	MATTE FINISH NICKEL PLATING	7	BRASS	NICKEL PLATING
7	BRASS	NICKEL PLATING	6	BERYLLIUM COPPER	NICKEL PLATING
6	BERYLLIUM COPPER	NICKEL PLATING	5	BRASS	MATTE FINISH NICKEL PLATING
5	BRASS	MATTE FINISH NICKEL PLATING	4	DIALLYL PHTHALATE (BLACK) UL94V-0	
4	DIALLYL PHTHALATE (BLACK) UL94V-0		3	DIALLYL PHTHALATE (BLACK) UL94V-0	
3	DIALLYL PHTHALATE (BLACK) UL94V-0		2	COPPER ALLOY	SILVER PLATING 5μ m min.
2	COPPER ALLOY	SILVER PLATING 5μ m min.	1	ZINC ALLOY	MATTE FINISH NICKEL PLATING
1	ZINC ALLOY	MATTE FINISH NICKEL PLATING			

CODE NO. (OLD) CL	DRAWN E. Yumino 05.11.28	DESIGNED H. Yamada 05.11.28	CHECKED H. Zemba 05.11.30	APPROVED M. Sato 05.11.30	RELEASED
DRAWING NO. EDC4-112327-71		PART NO. RM12BPE-4S(71)			
UNITS mm		CODE NO. CL109-0425-5-71			1/1

TO
R

## X-ON Electronics

Largest Supplier of Electrical and Electronic Components

*Click to view similar products for [Standard Circular Connector](#) category:*

*Click to view products by [Hirose](#) manufacturer:*

Other Similar products are found below :

[5M2530B10P](#) [600259N006](#) [600273N007](#) [6134-336-13149](#) [6134-337-11149](#) [6134-337-2390](#) [6134-341-17149](#) [6280-4SG-516](#) [6280-7SG-3DC](#)  
[6290](#) [6291A](#) [66200A-10](#) [680-SMG](#) [681-PMG](#) [CXS3102A14S2P](#) [CXS3102A181S](#) [7251-6SG-300](#) [7271-6SG-300](#) [7282-3PG-300-CH3](#) [75-](#)  
[474014-05S](#) [75-474618-01S](#) [75-474618-04P](#) [75-474618-04S](#) [799539-000](#) [MI8-SE](#) [805-005-07NF11-19PC](#) [805-005-07NF15-7PA](#) [8280-4PG-](#)  
[516](#) [8280-7PG-519](#) [8282-5PG-519](#) [836783-1](#) [MP-4102-25P-C](#) [862256-1](#) [864019-2](#) [866857-1](#) [867865-1](#) [PT01SP-14-18P](#) [PT08P-14-5S](#)  
[PTSF06SE-14-12S](#) [120-1833-000](#) [QCM019PC2DC012B](#) [1-2069279-1](#) [121583-0217](#) [121667-0020](#) [129591AU](#) [1000B BULK](#) [RD10A16-19-](#)  
[P6CS051/1](#) [RD10A20-31-P8CS051/1](#) [RD16A14-12-S6CS051/2](#) [1301240290](#) [1301240347](#)