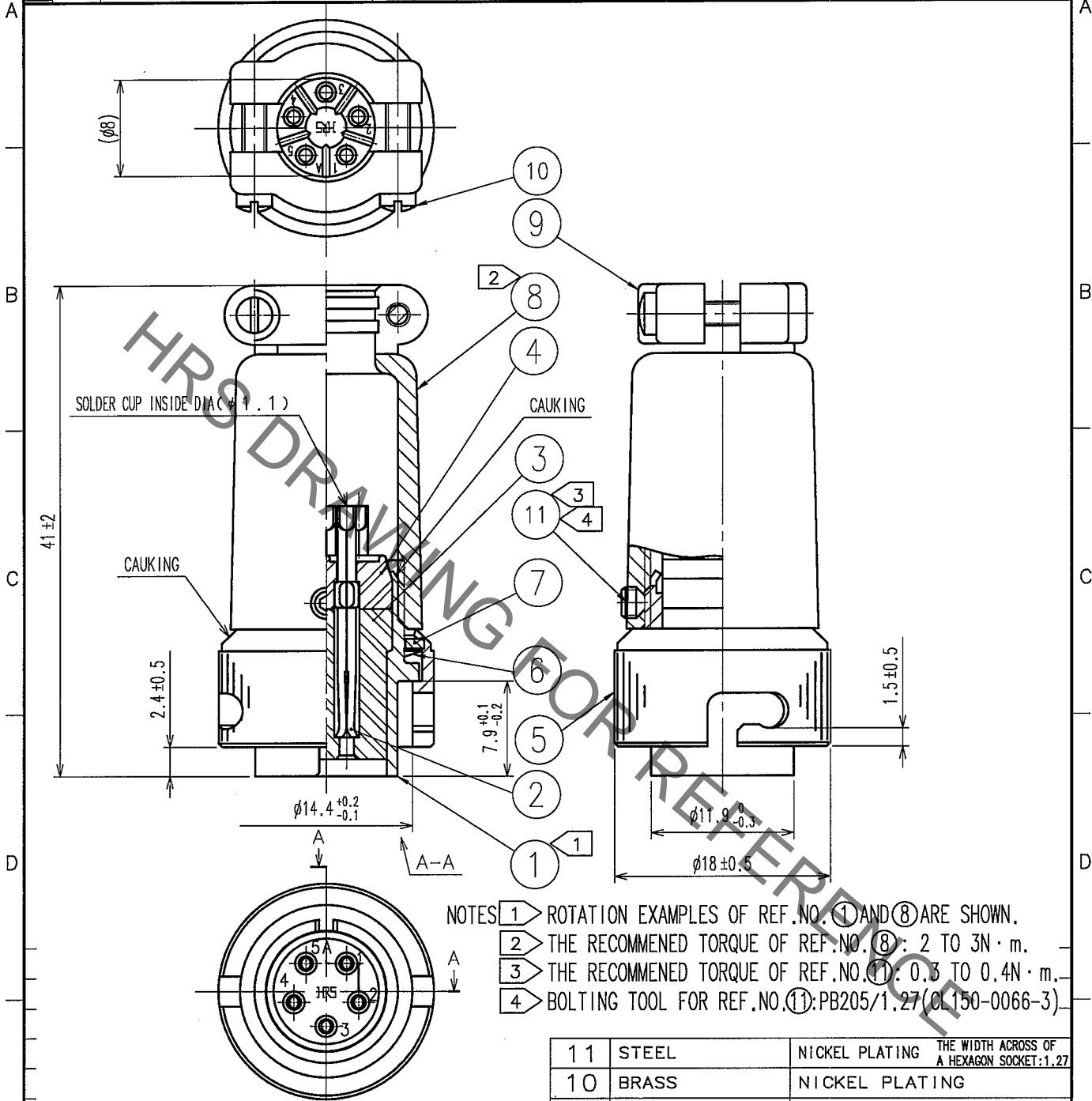


Jun.1.2019 Copyright 2019 HIROSE ELECTRIC CO., LTD. All Rights Reserved.
In case of consideration for using Automotive equipment / device which demand high reliability, kindly contact our sales window correspondents.

1					2					3					4				
COUNT	DESCRIPTION OF REVISIONS				BY	CHKD	DATE	COUNT	DESCRIPTION OF REVISIONS				BY	CHKD	DATE				
△								△											
△								△											
△								△											



- NOTES
- ① ROTATION EXAMPLES OF REF.NO. ① AND ⑧ ARE SHOWN.
 - ② THE RECOMMENDED TORQUE OF REF.NO. ⑧: 2 TO 3N · m.
 - ③ THE RECOMMENDED TORQUE OF REF.NO. ⑪: 0.3 TO 0.4N · m.
 - ④ BOLTING TOOL FOR REF.NO. ⑪: PB205/1.27 (CL150-0066-3)

4	DIALLYL PHTHALATE	(BLACK) UL94V-0	11	STEEL	NICKEL PLATING
3	DIALLYL PHTHALATE	(BLACK) UL94V-0	10	BRASS	NICKEL PLATING
2	COPPER ALLOY	SILVER PLATING 5μ m min.	9	ZINC ALLOY	MATTE FINISH NICKEL PLATING
1	ZINC ALLOY	MATTE FINISH NICKEL PLATING	8	ZINC ALLOY	MATTE FINISH NICKEL PLATING
			7	BRASS	NICKEL PLATING
			6	BERYLLIUM COPPER	NICKEL PLATING
			5	BRASS	MATTE FINISH NICKEL PLATING

NO.	MATERIAL	FINISH, REMARKS	NO.	MATERIAL	FINISH, REMARKS
11	STEEL	NICKEL PLATING			
10	BRASS	NICKEL PLATING			
9	ZINC ALLOY	MATTE FINISH NICKEL PLATING			
8	ZINC ALLOY	MATTE FINISH NICKEL PLATING			
7	BRASS	NICKEL PLATING			
6	BERYLLIUM COPPER	NICKEL PLATING			
5	BRASS	MATTE FINISH NICKEL PLATING			

CODE NO. (OLD) CL	DRAWN Y. Yamada 05.08.26	DESIGNED Y. Yamada 05.08.26	CHECKED H. Zemba 05.08.30	APPROVED M. Sato 05.09.01	RELEASED
DRAWING NO. EDC4-112328-71		PART NO. RM12BPE-5S(71)			
SACLE 2 : 1		CODE NO. CL109-0426-8-71		1/1	
UNITS mm		HRS HIROSE ELECTRIC CO., LTD.		FORM NO. 228	

In case of consideration for using Automotive equipment / device which demand high reliability, kindly contact our sales window correspondents.



X-ON Electronics

Largest Supplier of Electrical and Electronic Components

Click to view similar products for [Standard Circular Connector](#) category:

Click to view products by [Hirose](#) manufacturer:

Other Similar products are found below :

[5M2530B10P](#) [600259N006](#) [600273N007](#) [6134-336-13149](#) [6134-337-11149](#) [6134-337-2390](#) [6134-341-17149](#) [6280-4SG-516](#) [6280-7SG-3DC](#)
[6290](#) [6291A](#) [66200A-10](#) [680-SMG](#) [681-PMG](#) [CXS3102A14S2P](#) [CXS3102A181S](#) [7251-6SG-300](#) [7271-6SG-300](#) [7282-3PG-300-CH3](#) [75-](#)
[474014-05S](#) [75-474618-01S](#) [75-474618-04P](#) [75-474618-04S](#) [799539-000](#) [MI8-SE](#) [805-005-07NF11-19PC](#) [805-005-07NF15-7PA](#) [8280-4PG-](#)
[516](#) [8280-7PG-519](#) [8282-5PG-519](#) [836783-1](#) [MP-4102-25P-C](#) [862256-1](#) [864019-2](#) [866857-1](#) [867865-1](#) [PT01SP-14-18P](#) [PT08P-14-5S](#) [120-](#)
[1833-000](#) [QCM019PC2DC012B](#) [1-2069279-1](#) [121583-0217](#) [121667-0020](#) [129591AU](#) [1000B BULK](#) [RD10A16-19-P6CS051/1](#) [RD10A20-31-](#)
[P8CS051/1](#) [RD16A14-12-S6CS051/2](#) [1301240290](#) [1301240347](#) [1301860202](#)