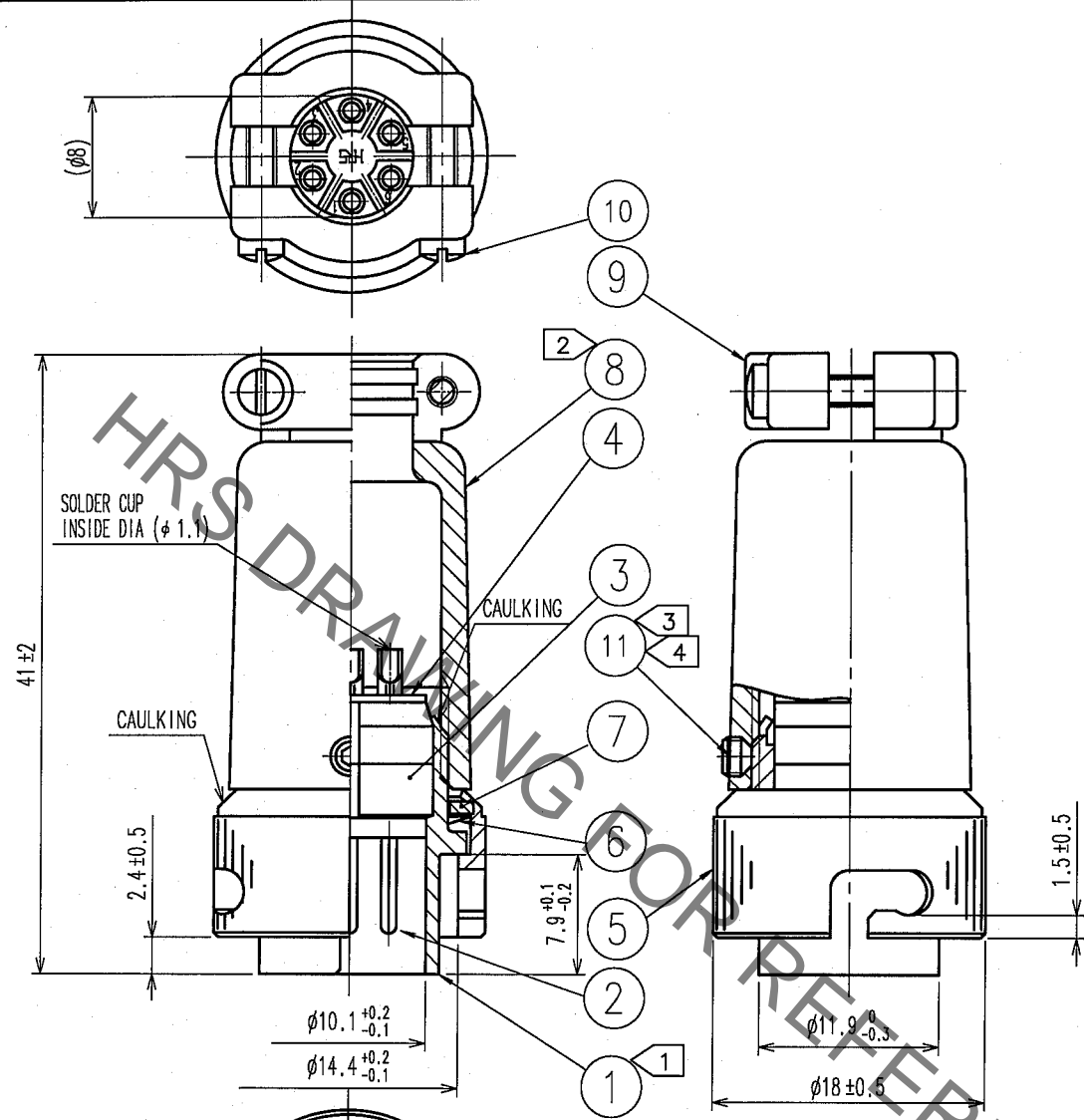


Jun.1.2019 Copyright 2019 HIROSE ELECTRIC CO., LTD. All Rights Reserved.
In case of consideration for using Automotive equipment / device which demand high reliability, kindly contact our sales window correspondents.

1		2			3			4		
COUNT	DESCRIPTION OF REVISIONS	BY	CHKD	DATE	COUNT	DESCRIPTION OF REVISIONS	BY	CHKD	DATE	
△					△					
△					△					
△					△					



NOTE

- 1 ROTATION EXAMPLES OF REF.NO. ① AND ⑧ ARE SHOWN.
- 2 THE RECOMMENDED TORQUE OF REF.NO. ⑧ : 2 TO 3N · m.
- 3 THE RECOMMENDED TORQUE OF REF.NO. ⑪ : 0.2 TO 0.3N · m.
- 4 BOLTING TOOL FOR REF.NO. ⑪ : PB205/1.27 (CL150-0066-3)

11	STEEL	NICKEL PLATING	THE WIDTH ACROSS OF A HEXAGON SOCKET:1.27
10	BRASS	NICKEL PLATING	
9	ZINC ALLOY	MATTE FINISH NICKEL PLATING	
8	ZINC ALLOY	MATTE FINISH NICKEL PLATING	
7	BRASS	NICKEL PLATING	
6	BERYLLIUM COPPER	NICKEL PLATING	
5	BRASS	MATTE FINISH NICKEL PLATING	
NO.	MATERIAL	FINISH, REMARKS	

4	DIALLYL PHTHALATE	(BLACK) UL94V-0
3	DIALLYL PHTHALATE	(BLACK) UL94V-0
2	COPPER ALLOY	SILVER PLATING 2μ m min
1	ZINC ALLOY	MATTE FINISH NICKEL PLATING
NO.	MATERIAL	FINISH, REMARKS

CODE NO. (OLD)		DRAWN	DESIGNED	CHECKED	APPROVED	RELEASED
CL		<i>Y. Yamada</i>	<i>Y. Yamada</i>	<i>H. Zemba</i>	<i>M. Sato</i>	
		05.08.29	05.08.29	05.08.30	05.09.01	

 SCALE 2 : 1 UNITS mm	DRAWING NO.	PART NO.
	EDC4-112323-71	RM12BPE-6PH(71)
 HIROSE ELECTRIC CO., LTD.	CODE NO.	
	CL109-0421-4-71	1/1

In case of consideration for using Automotive equipment / device which demand high reliability, kindly contact our sales window correspondents.



X-ON Electronics

Largest Supplier of Electrical and Electronic Components

Click to view similar products for [Standard Circular Connector](#) category:

Click to view products by [Hirose](#) manufacturer:

Other Similar products are found below :

[5M2530B10P](#) [600259N006](#) [600273N007](#) [6134-336-13149](#) [6134-337-11149](#) [6134-337-2390](#) [6134-341-17149](#) [6280-4SG-516](#) [6280-7SG-3DC](#)
[6290](#) [6291A](#) [66200A-10](#) [680-SMG](#) [681-PMG](#) [CXS3102A14S2P](#) [CXS3102A181S](#) [7251-6SG-300](#) [7271-6SG-300](#) [7282-3PG-300-CH3](#) [75-](#)
[474014-05S](#) [75-474618-01S](#) [75-474618-04S](#) [799539-000](#) [MI8-SE](#) [805-005-07NF11-19PC](#) [805-005-07NF15-7PA](#) [8280-4PG-516](#) [8280-7PG-](#)
[519](#) [8282-5PG-519](#) [836783-1](#) [MP-4102-25P-C](#) [862256-1](#) [864019-2](#) [866857-1](#) [867865-1](#) [PT01SP-14-18P](#) [PT08P-14-5S](#) [PTSF06SE-14-12S](#)
[120-1833-000](#) [QCM019PC2DC012B](#) [1-2069279-1](#) [121583-0217](#) [121667-0020](#) [129591AU](#) [1000B BULK](#) [RD10A16-19-P6CS051/1](#)
[RD10A20-31-P8CS051/1](#) [RD16A14-12-S6CS051/2](#) [1301240290](#) [1301240347](#) [1301860202](#)