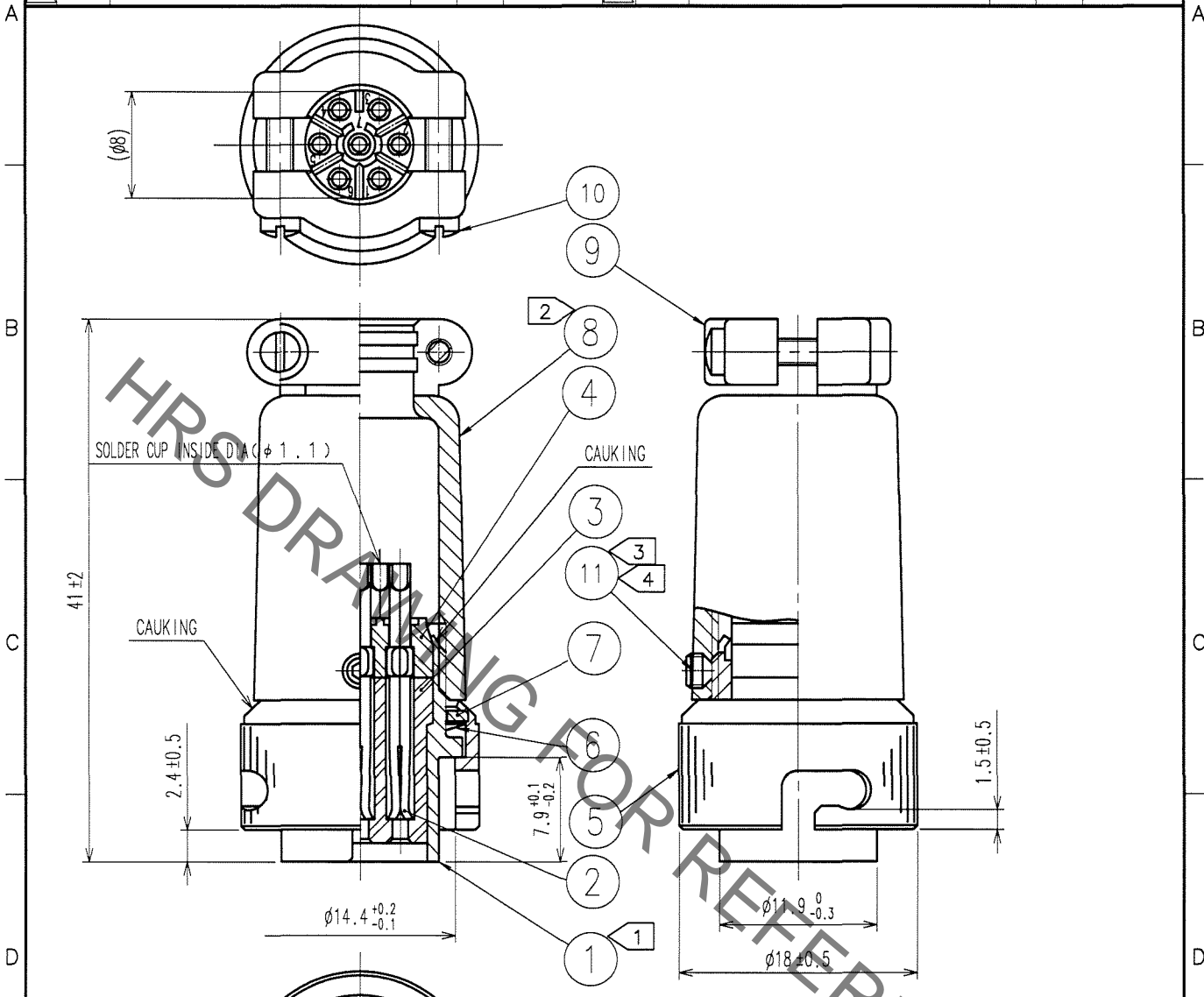


Jun.1.2019 Copyright 2019 HIROSE ELECTRIC CO., LTD. All Rights Reserved.
In case of consideration for using Automotive equipment / device which demand high reliability, kindly contact our sales window correspondents.

COUNT	DESCRIPTION OF REVISIONS	BY	CHKD	DATE	COUNT	DESCRIPTION OF REVISIONS	BY	CHKD	DATE
△					△				
△					△				
△					△				



- NOTES
- ① ROTATION EXAMPLES OF REF. NO. ① AND ⑧ ARE SHOWN.
 - ② THE RECOMMENDED TORQUE OF REF. NO. ⑧: 2 TO 3N · m.
 - ③ THE RECOMMENDED TORQUE OF REF. NO. ⑪: 0.2 TO 0.3N · m.
 - ④ BOLTING TOOL FOR REF. NO. ⑪: PB205/1.27 (CL150-0066-3)

11	STEEL	NICKEL PLATING	THE WIDTH ACROSS OF A HEXAGON SOCKET: 1.27
10	BRASS	NICKEL PLATING	
9	ZINC ALLOY	MATTE FINISH NICKEL PLATING	
8	ZINC ALLOY	MATTE FINISH NICKEL PLATING	
7	BRASS	NICKEL PLATING	
6	BERYLLIUM COPPER	NICKEL PLATING	
5	BRASS	MATTE FINISH NICKEL PLATING	
4	DIALLYL PHTHALATE (BLACK) UL94V-0		
3	DIALLYL PHTHALATE (BLACK) UL94V-0		
2	COPPER ALLOY	SILVER PLATING 5μ m min.	
1	ZINC ALLOY	MATTE FINISH NICKEL PLATING	
NO.	MATERIAL	FINISH, REMARKS	
NO.	MATERIAL	FINISH, REMARKS	

CODE NO. (OLD) CL		DRAWN E. Yamino 05.11.28	DESIGNED Y. Yamada 05.11.28	CHECKED H. Zemba 05.11.30	APPROVED M. Sato 05.11.30	RELEASED
DRAWING NO. EDC4-112330-71		PART NO. RM12BPE-7S(71)				
SACLE 2 : 1		CODE NO. CL109-0428-3-71				1/1
UNITS mm		HIROSE ELECTRIC CO., LTD.				

TO
R

X-ON Electronics

Largest Supplier of Electrical and Electronic Components

Click to view similar products for [Standard Circular Connector](#) category:

Click to view products by [Hirose](#) manufacturer:

Other Similar products are found below :

[5M2530B10P](#) [600259N006](#) [600273N007](#) [6134-336-13149](#) [6134-337-11149](#) [6134-337-2390](#) [6134-341-17149](#) [6280-4SG-516](#) [6280-7SG-3DC](#)
[6290](#) [6291A](#) [66200A-10](#) [680-SMG](#) [681-PMG](#) [CXS3102A14S2P](#) [CXS3102A181S](#) [7251-6SG-300](#) [7271-6SG-300](#) [7282-3PG-300-CH3](#) [75-](#)
[474014-05S](#) [75-474618-01S](#) [75-474618-04P](#) [75-474618-04S](#) [799539-000](#) [MI8-SE](#) [805-005-07NF11-19PC](#) [805-005-07NF15-7PA](#) [8280-4PG-](#)
[516](#) [8280-7PG-519](#) [8282-5PG-519](#) [836783-1](#) [MP-4102-25P-C](#) [862256-1](#) [864019-2](#) [866857-1](#) [867865-1](#) [PT01SP-14-18P](#) [PT08P-14-5S](#) [120-](#)
[1833-000](#) [QCM019PC2DC012B](#) [1-2069279-1](#) [121583-0217](#) [121667-0020](#) [129591AU](#) [1000B BULK](#) [RD10A16-19-P6CS051/1](#) [RD10A20-31-](#)
[P8CS051/1](#) [RD16A14-12-S6CS051/2](#) [1301240290](#) [1301240347](#) [1301860202](#)