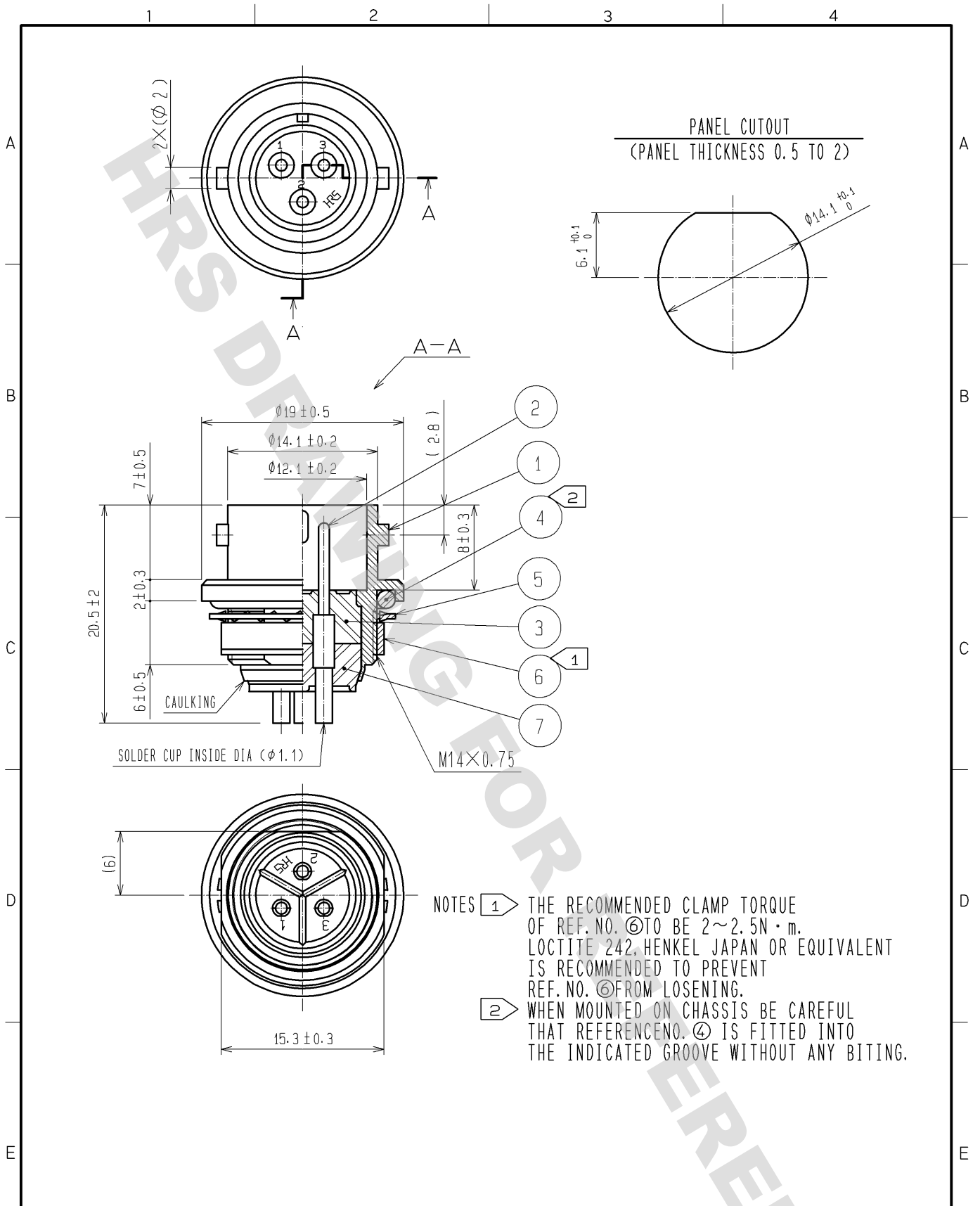


DRAWING FOR REFERENCE: This is subject to change without notice  
08/11/2012



NOTES ① THE RECOMMENDED CLAMP TORQUE OF REF. NO. ⑥ TO BE 2~2.5N·m. LOCTITE 242, HENKEL JAPAN OR EQUIVALENT IS RECOMMENDED TO PREVENT REF. NO. ⑥ FROM LOOSENING.  
② WHEN MOUNTED ON CHASSIS BE CAREFUL THAT REF. NO. ④ IS FITTED INTO THE INDICATED GROOVE WITHOUT ANY BITING.

| 4                         | CHLOROPRENE RUBBER | (BLACK)                 |                      |                          |                            |          |         |      |
|---------------------------|--------------------|-------------------------|----------------------|--------------------------|----------------------------|----------|---------|------|
| 3                         | DIALLYL PHTHALATE  | (BLACK) UL94V-0         | 7                    | DIALLYL PHTHALATE        | (BLACK) UL94V-0            |          |         |      |
| 2                         | BRASS              | SILVER PLATING 4μm min. | 6                    | BRASS                    | NICKEL PLATING             |          |         |      |
| 1                         | BRASS              | NICKEL PLATING          | 5                    | PHOSPHOR BRONZE          | NICKEL PLATING             |          |         |      |
| NO.                       | MATERIAL           | FINISH                  | REMARKS              | NO.                      | MATERIAL                   | FINISH   | REMARKS |      |
| UNITS<br>mm               |                    | SCALE<br>2 : 1          | COUNT<br>            | DESCRIPTION OF REVISIONS |                            | DESIGNED | CHECKED | DATE |
| HIROSE ELECTRIC CO., LTD. |                    |                         | APPROVED : SU. OBARA | 11.09.12                 | DRAWING NO. EDC4-004934-71 |          |         |      |
|                           |                    |                         | CHECKED : HY. KISHI  | 11.09.12                 | PART NO. RM12WBR-3P(71)    |          |         |      |
|                           |                    |                         | DESIGNED : WR. AJIRO | 11.09.12                 | CODE NO. CL109-1022-4-71   |          |         |      |
|                           |                    |                         | DRAWN : WR. AJIRO    | 11.09.12                 | 1/1                        |          |         |      |

## X-ON Electronics

Largest Supplier of Electrical and Electronic Components

*Click to view similar products for [Standard Circular Connector](#) category:*

*Click to view products by [Hirose](#) manufacturer:*

Other Similar products are found below :

[5M2530B10P](#) [600259N006](#) [600273N007](#) [6134-336-13149](#) [6134-337-11149](#) [6134-337-2390](#) [6134-341-17149](#) [6280-4SG-516](#) [6280-7SG-3DC](#)  
[6290](#) [6291A](#) [66200A-10](#) [680-SMG](#) [681-PMG](#) [CXS3102A14S2P](#) [CXS3102A181S](#) [7251-6SG-300](#) [7271-6SG-300](#) [7282-3PG-300-CH3](#) [75-](#)  
[474014-05S](#) [75-474618-01S](#) [75-474618-04S](#) [799539-000](#) [MI8-SE](#) [805-005-07NF11-19PC](#) [805-005-07NF15-7PA](#) [8280-4PG-516](#) [8280-7PG-](#)  
[519](#) [8282-5PG-519](#) [836783-1](#) [MP-4102-25P-C](#) [862256-1](#) [864019-2](#) [866857-1](#) [867865-1](#) [PT01SP-14-18P](#) [PT08P-14-5S](#) [PTSF06SE-14-12S](#)  
[120-1833-000](#) [QCM019PC2DC012B](#) [1-2069279-1](#) [121583-0217](#) [121667-0020](#) [129591AU](#) [1000B BULK](#) [RD10A16-19-P6CS051/1](#)  
[RD10A20-31-P8CS051/1](#) [RD16A14-12-S6CS051/2](#) [1301240290](#) [1301240347](#) [1301860202](#)