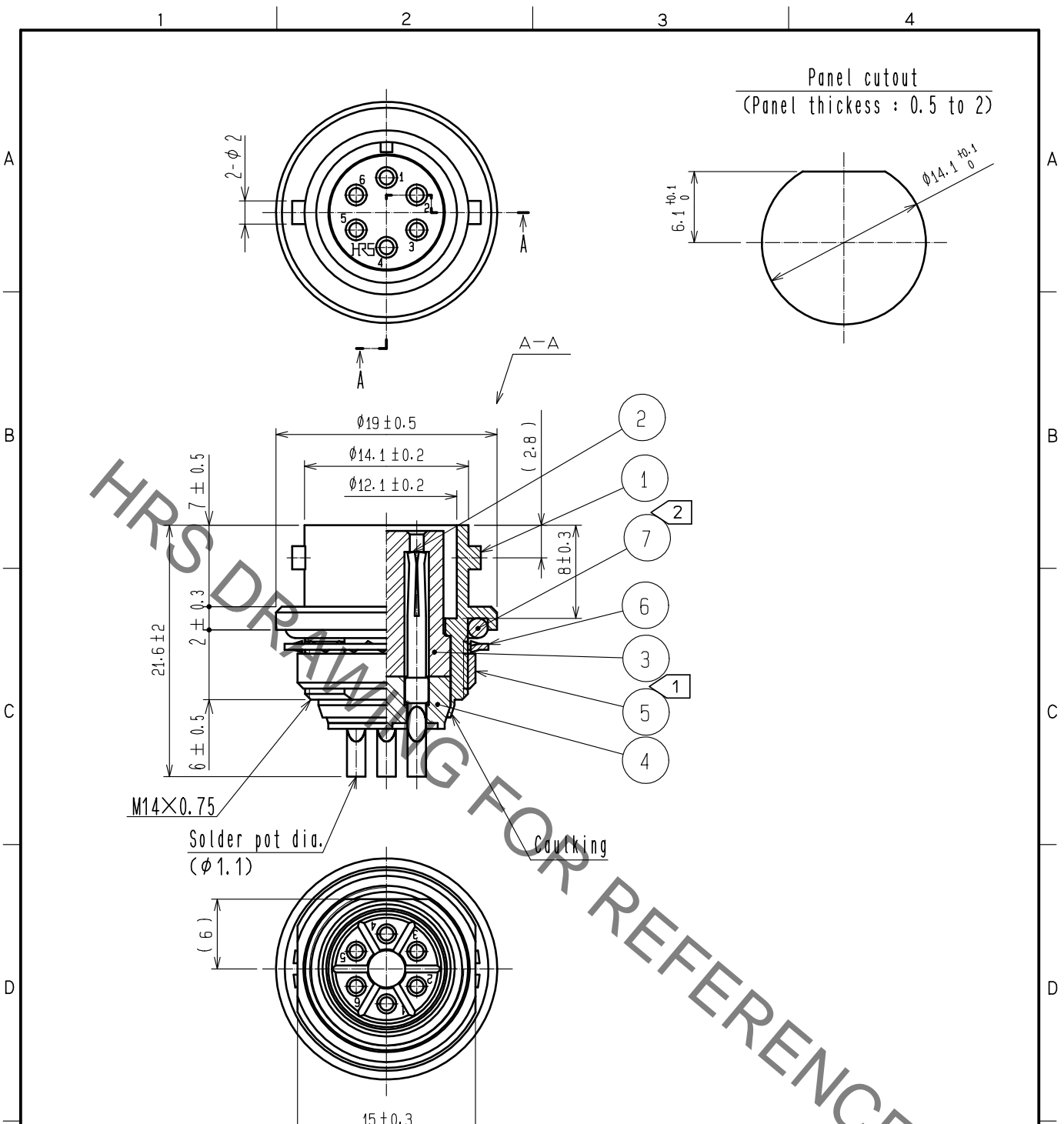


Jun.1.2021 Copyright 2021 HIROSE ELECTRIC CO., LTD. All Rights Reserved.  
In case of consideration for using Automotive equipment / device which demand high reliability, kindly contact our sales window correspondents.



Notes ① The recommended clamp torque of ref. No. ⑤ : 2 to 2.5 N·m.  
LOCTITE 243, HENKEL JAPAN or equivalent is recommended to prevent ref. No. ⑤ from loosening.

② When mounted on chassis be careful that ref. No. ⑦ is fitted into the indicated groove without any biting.

4	PPS	(BLACK)	UL94V-0				
3	PPS	(BLACK)	UL94V-0	7	CHLOROPRENE RUBBER	(BLACK)	
2	COPPER ALLOY	SILVER PLATING	5μm min.	6	PHOSPHOR BRONZE	NICKEL PLATING	
1	BRASS	NICKEL PLATING		5	BRASS	NICKEL PLATING	
NO.	MATERIAL	FINISH	REMARKS	NO.	MATERIAL	FINISH	REMARKS

UNITS mm	SCALE 2 : 1	COUNT	DESCRIPTION OF REVISIONS	DESIGNED	CHECKED	DATE
<b>HRS</b> HIROSE ELECTRIC CO., LTD.	APPROVED	·HY. KOBAYASHI	15.11.19	DRAWING NO.	EDC-004150-81-00	
	CHECKED	·HY. KOBAYASHI	15.11.19	PART NO.	RM12WBR-6S(81)	
	DESIGNED	·KN. IKEHARA	15.11.19	CODE NO.	CL109-1030-2-81	
	DRAWN	·KN. IKEHARA	15.11.19			

## X-ON Electronics

Largest Supplier of Electrical and Electronic Components

*Click to view similar products for [Standard Circular Connector](#) category:*

*Click to view products by [Hirose](#) manufacturer:*

Other Similar products are found below :

[5M2530B10P](#) [600259N006](#) [600273N007](#) [6134-336-13149](#) [6134-337-11149](#) [6134-337-2390](#) [6134-341-17149](#) [6280-4SG-516](#) [6280-7SG-3DC](#)  
[6290](#) [6291A](#) [66200A-10](#) [680-SMG](#) [681-PMG](#) [CXS3102A14S2P](#) [CXS3102A181S](#) [7251-6SG-300](#) [7271-6SG-300](#) [7282-3PG-300-CH3](#) [75-](#)  
[474014-05S](#) [75-474618-01S](#) [75-474618-04S](#) [799539-000](#) [MI8-SE](#) [805-005-07NF11-19PC](#) [805-005-07NF15-7PA](#) [8280-4PG-516](#) [8280-7PG-](#)  
[519](#) [8282-5PG-519](#) [836783-1](#) [MP-4102-25P-C](#) [862256-1](#) [864019-2](#) [866857-1](#) [867865-1](#) [PT01SP-14-18P](#) [PT08P-14-5S](#) [PTSF06SE-14-12S](#)  
[120-1833-000](#) [QCM019PC2DC012B](#) [1-2069279-1](#) [121583-0217](#) [121667-0020](#) [129591AU](#) [1000B BULK](#) [RD10A16-19-P6CS051/1](#)  
[RD10A20-31-P8CS051/1](#) [RD16A14-12-S6CS051/2](#) [1301240290](#) [1301240347](#) [1301860202](#)